

# QC7I PF TWIN 7FC5-S

System Part Number: EV9328-62



## APPLICATIONS

- ◆ Ice machines
- ◆ Coffee brewers

## SYSTEM DESCRIPTION

The **QC7I PF Twin 7FC5-S** water filtration system features exclusive Fibredyne™ II bacteriostatic media that filters sediment down to 5 microns and provides chlorine taste & odor reduction at a flow rate of 5 gpm for 50,000 gallons. Integrated scale inhibitor media helps protect against scale formation\* on equipment surfaces. The 5 micron mechanical filtration supports lasting, balanced performance with high turbidity water supplies, while an integrated prefilter provides further protection against excessive dirt and sediment. This system is certified under NSF/ANSI Standard 42.

## FEATURES • BENEFITS

- ◆ Integrated scale inhibitor minimizes the potential for scale formation\* to ensure reliable, efficient equipment operation
- ◆ Proprietary Fibredyne II media reduces chlorine taste & odor while providing particulate reduction down to 5 microns
- ◆ Fibredyne II media inhibits the growth of bacteria within the filter to guard against media fouling and optimize performance
- ◆ Inlet shutoff valve, flush valve, and pressure gauges simplify service and monitor operating performance
- ◆ Quick-change (QC) cartridges make changing cartridges simple and sanitary
- ◆ Reduces a range of contaminants to help ensure clearer, fresher water for consistently great-tasting beverages
- ◆ Helps protect equipment to help ensure reliable and efficient operation resulting in reduced maintenance and downtime
- ◆ Prefilter provides additional filtration on water supplies with excessive dirt and sediment
- ◆ NSF/ANSI Standard 42 certified for Bacteriostatic Effects and the reduction of Chlorine Taste & Odor, and Particulate Class III

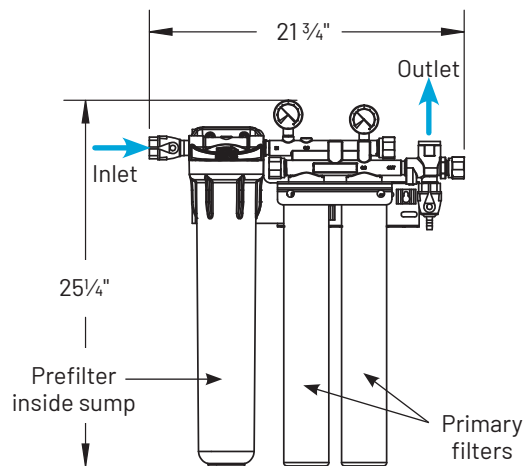
## INSTALLATION TIPS

- ◆ Choose a mounting location suitable to support the weight of the system while operating.
- ◆ Install vertically and allow 2½" (6.35 cm) clearance below the cartridge for easy removal and replacement.
- ◆ Feed water temperature must not exceed 100°F (38°C).
- ◆ Do not install where the system could be exposed to freezing temperatures.
- ◆ Feed water supply pressure must not exceed 125 psi (non-shock). When pressure exceeds 85 psi, a pressure reducing valve is recommended.
- ◆ Flush cartridges by running water through the system for five (5) minutes.
- ◆ For more details, see the installation, operation, and maintenance guide included with the system.

\*As tested by Pentair.  
EPA Est. 002623-IL-002

# QC71 PF TWIN 7FC5-S

EV9328-62



## SPECIFICATIONS

System	Performance
<b>Overall Dimensions</b> 25.25" H x 21.75" W x 6" D (64.2 cm x 55.3 cm x 15.3 cm)	<b>Service Flow Rate</b> 5.0 gpm (18.93 lpm)
<b>Connections</b> Inlet Connection: 3/4" FNPT Outlet Connection: 3/4" FNPT	<b>Rated Capacity</b> 50,000 gallons (189,271 L)
<b>Operating Pressure</b> 10 - 125 psi (0.7 - 8.6 bar)	<b>Chlorine Taste &amp; Odor Reduction</b> Yes
<b>Water Temperature</b> 35 - 100°F (2 - 38°C)	<b>Particulate Reduction</b> Yes
<b>Operating Weight</b> 29 lbs (13.1 kgs)	<b>Bacteriostatic Effects</b> Yes
<b>Shipping Weight</b> 20 lbs (9 kgs)	
<b>Electrical Connection</b> None required	

## REPLACEMENT CARTRIDGES

Model	Qty	Description	Part No
7FC5-S	2	Primary filter	EV9693-71
EC210	1	Prefilter	EV9534-26

For Pentair Everpure Product Warranties visit:  
<http://pentair.com/assets/foodservice-warranty>

It is recommended that filter cartridges be replaced every six (6) months on a regular scheduled program, or when capacity is reached or if water pressure or flow to equipment becomes inadequate.

Always replace filter cartridges at least once per year.

The contaminants or other substances removed or reduced by this drinking water system are not necessarily in your water. Do not use with water that is microbiologically unsafe or of unknown quality without adequate disinfection before or after the system.

Systems certified for cyst reduction may be used on disinfected water that may contain filterable cysts.

Since the conditions under which our products may be used are beyond our control, we cannot accept any liability with respect to the improper installation, application and/or use of our products.



System Tested and Certified by NSF International against NSF/ANSI Standard 42 for the reduction of:

STANDARD NO. 42 –  
 AESTHETIC EFFECTS  
 Bacteriostatic Effects  
 Chemical Reduction  
 Taste & Odor  
 Chlorine  
 Mechanical Filtration  
 Nominal Particulate Class III



**United States** | 1040 Muirfield Drive | Hanover Park, IL 60133 | 800.942.1153 (US Only) 630.307.3000 Main | [cseverpure@pentair.com](mailto:cseverpure@pentair.com) | [foodservice.pentair.com](http://foodservice.pentair.com)  
**Australia** | 1-21 Monash Drive | Dandenong South, Vic 3175 | Australia | 011.1300 576 190 Tel | [au.everpure@pentair.com](mailto:au.everpure@pentair.com)  
**China** | 21F Cloud 9 Plaza, NO 1118 | Shanghai, 200052 | China | 86.21.3211.4588 Tel | [china.water@pentair.com](mailto:china.water@pentair.com)  
**India** | Boulevard, B-9/A, 7th Floor - Tower B Sector 62 | Noida - 201301 | 91.120.419.9444 Tel | [indiacustomer@pentair.com](mailto:indiacustomer@pentair.com)  
**Europe** | Pentair Water Belgium BVBA | Industriepark Wolfstee, Toekomstlaan 30, B-2200 Herentals | Belgium | +32.(0).14.283.504 Tel | [sales@everpure-europe.com](mailto:sales@everpure-europe.com)  
**Japan** | Japan Inc. | Hashimoto MN Bldg. 7F, | 3-25-1 Hashimoto, Midori-ku, Sagami-hara-shi | Kanagawa 252-0143 | Japan | 81.(0)42.775.3011 Tel | [info@everpure.co.jp](mailto:info@everpure.co.jp)  
**Southeast Asia** | 390 Havelock Road, | #04-01 King's Centre | Singapore 169662 | 65.6768.5800 Tel | [cseverpure@pentair.com](mailto:cseverpure@pentair.com)

All indicated Pentair trademarks and logos are property of Pentair. Third party registered and unregistered trademarks and logos are the property of their respective owners.