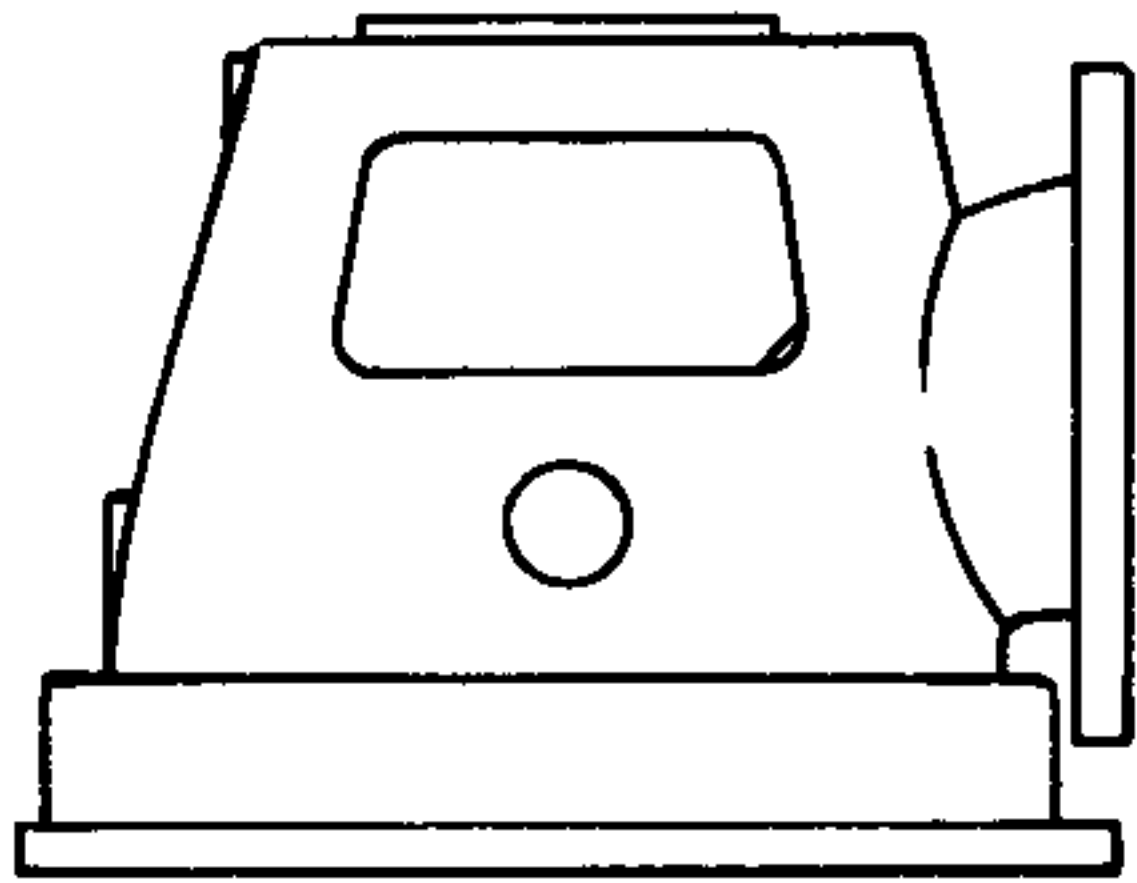


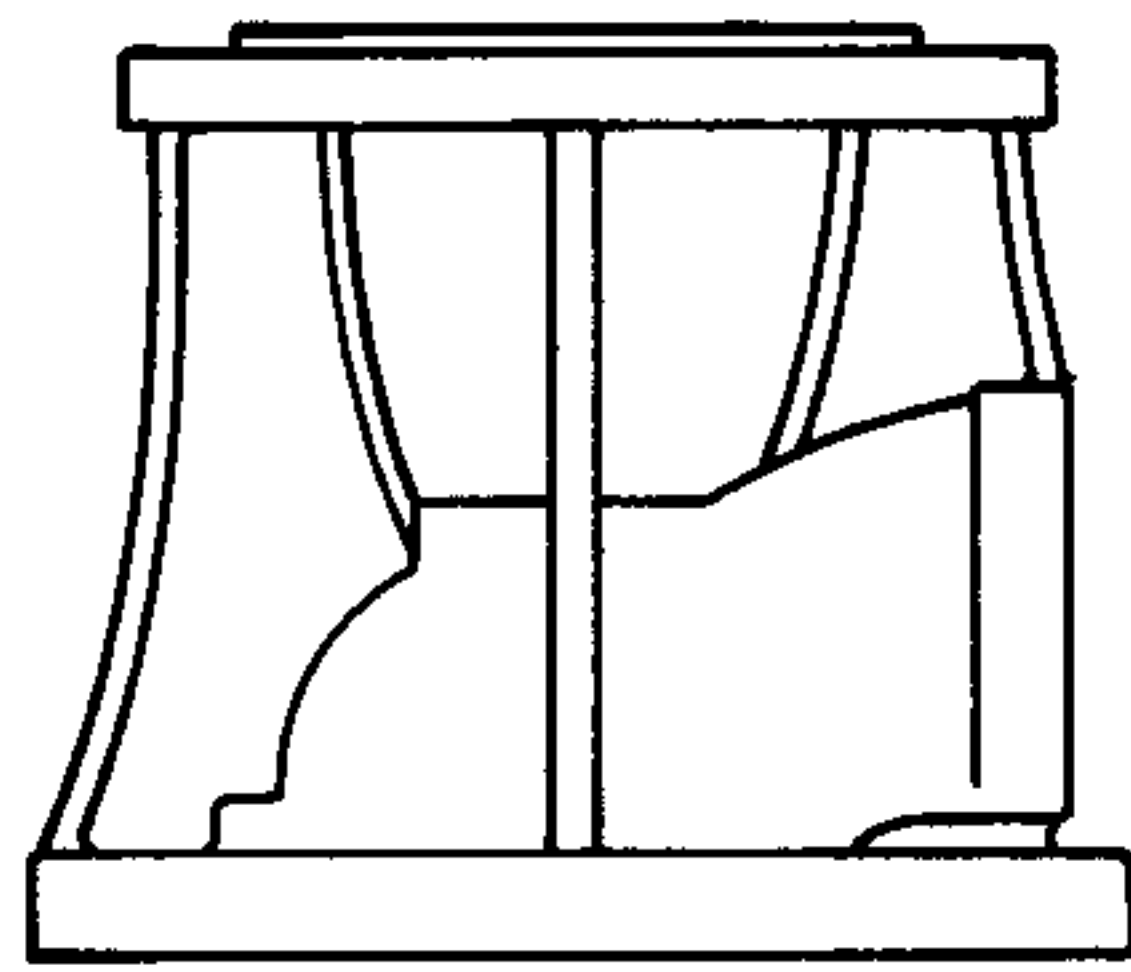
DISCHARGE HEAD DIMENSIONS

DATED **JANUARY 1986**

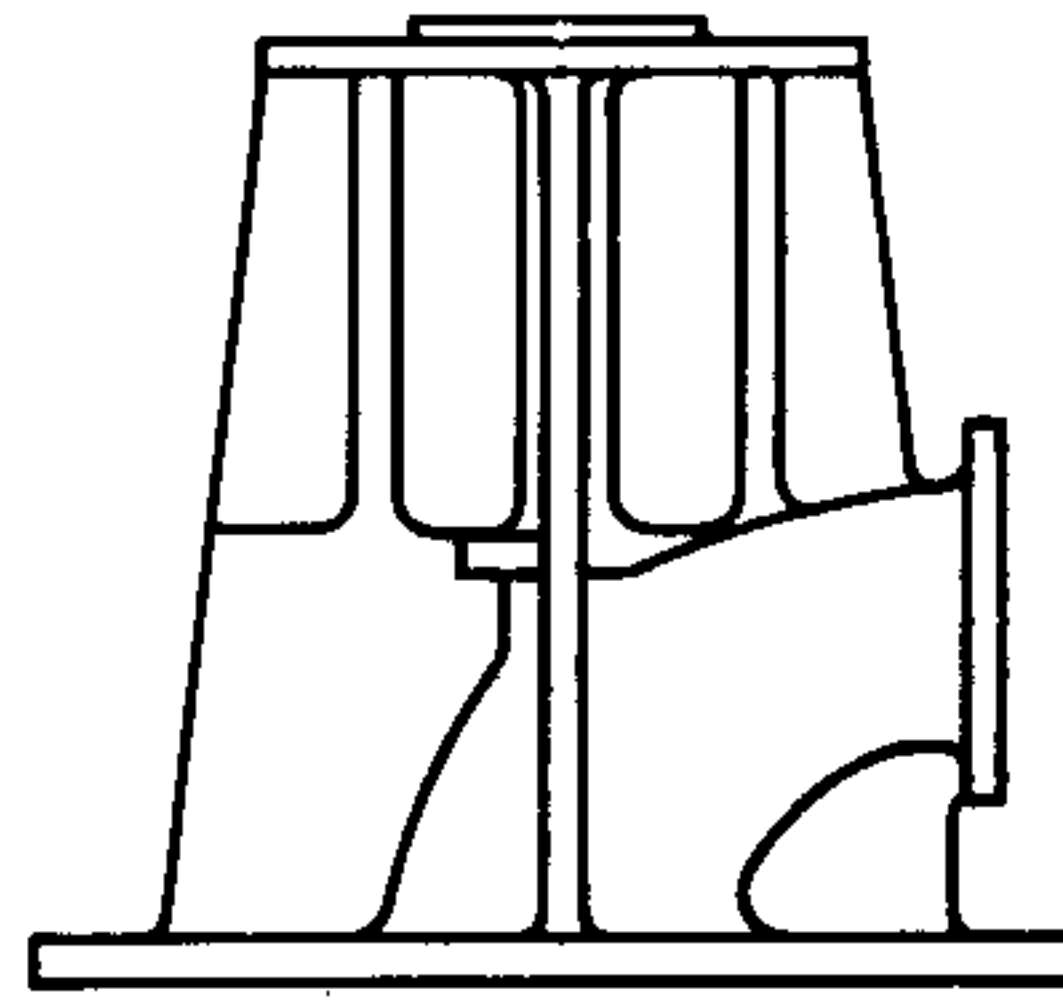
SUPERSEDES PAGE 155
DATED APRIL 1984



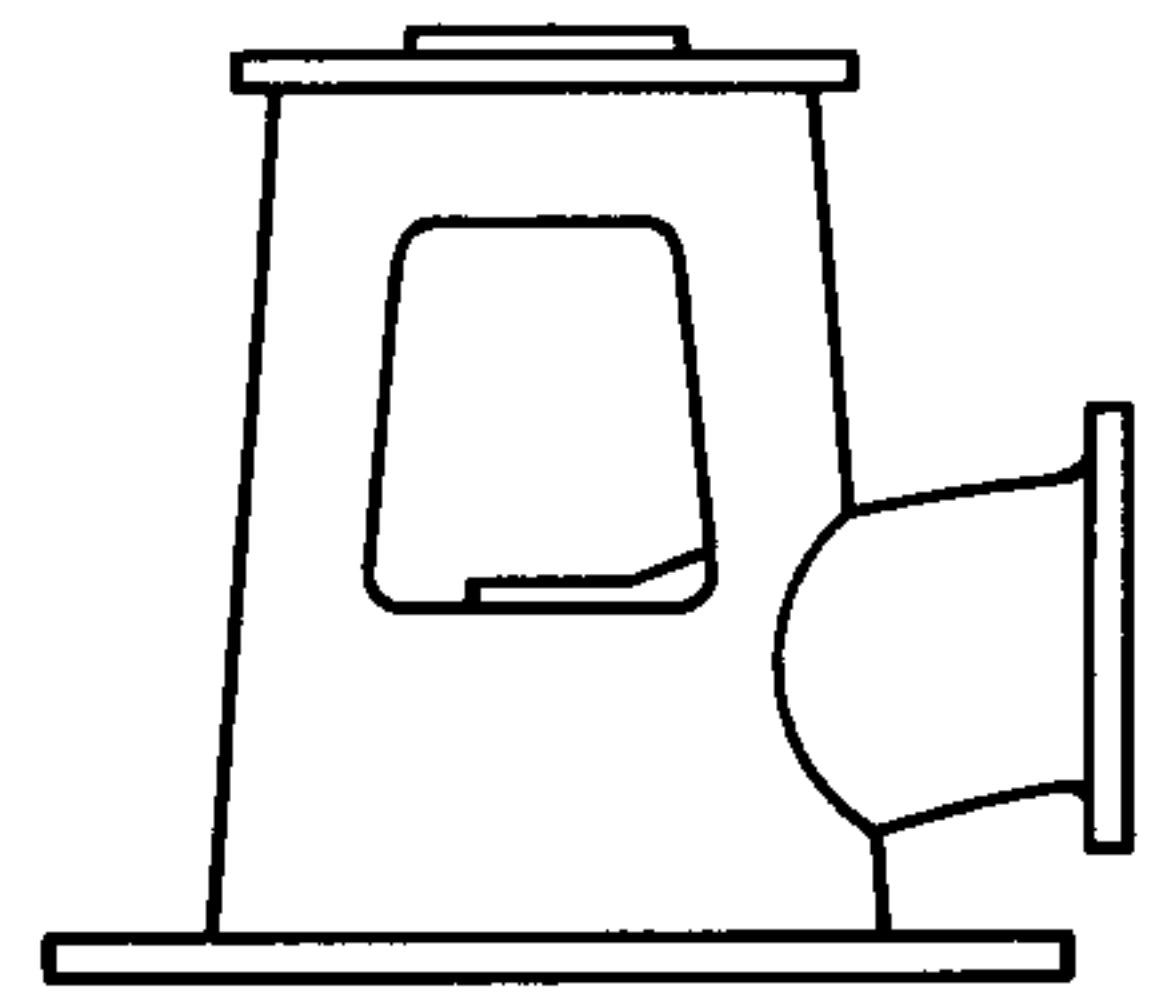
AC



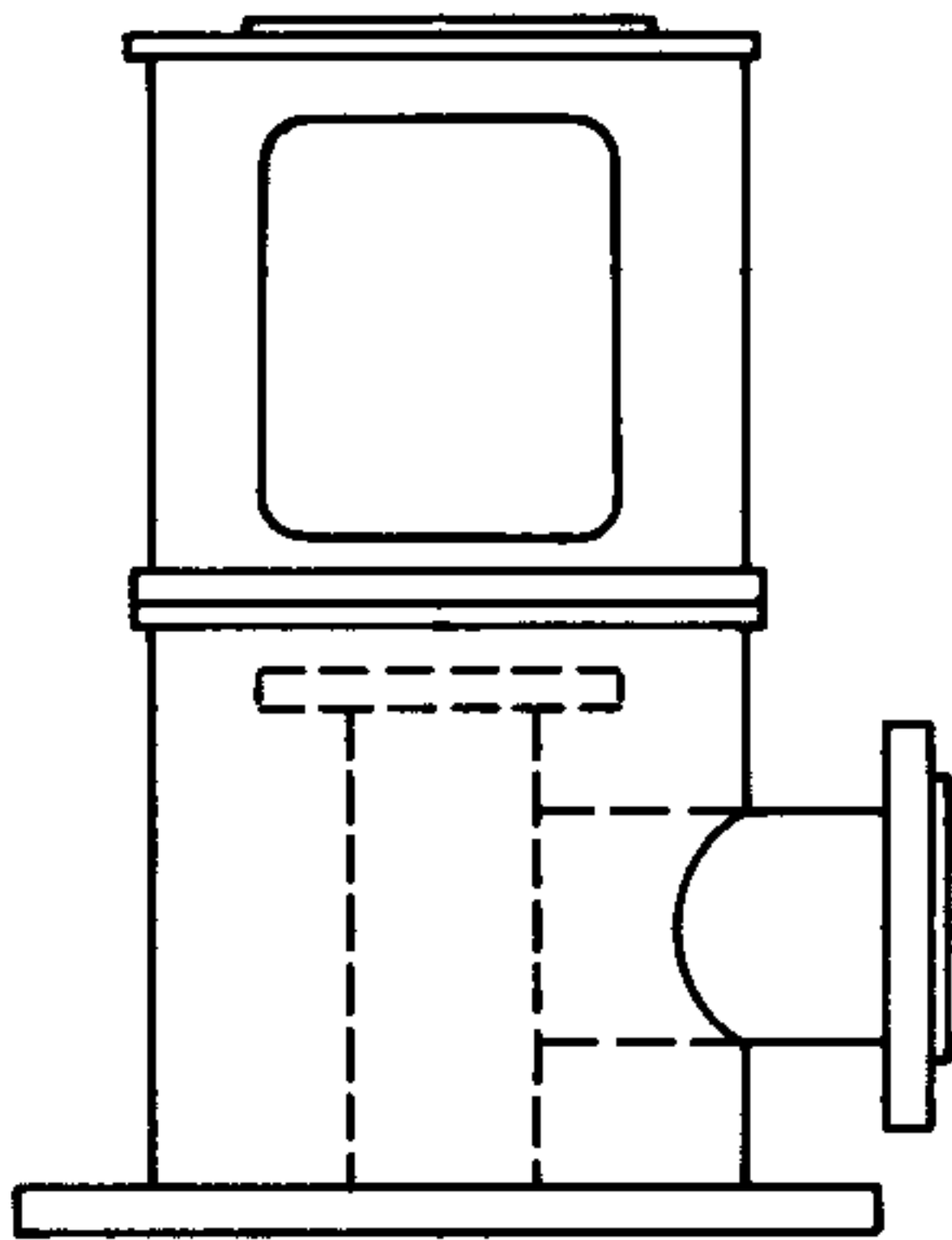
R



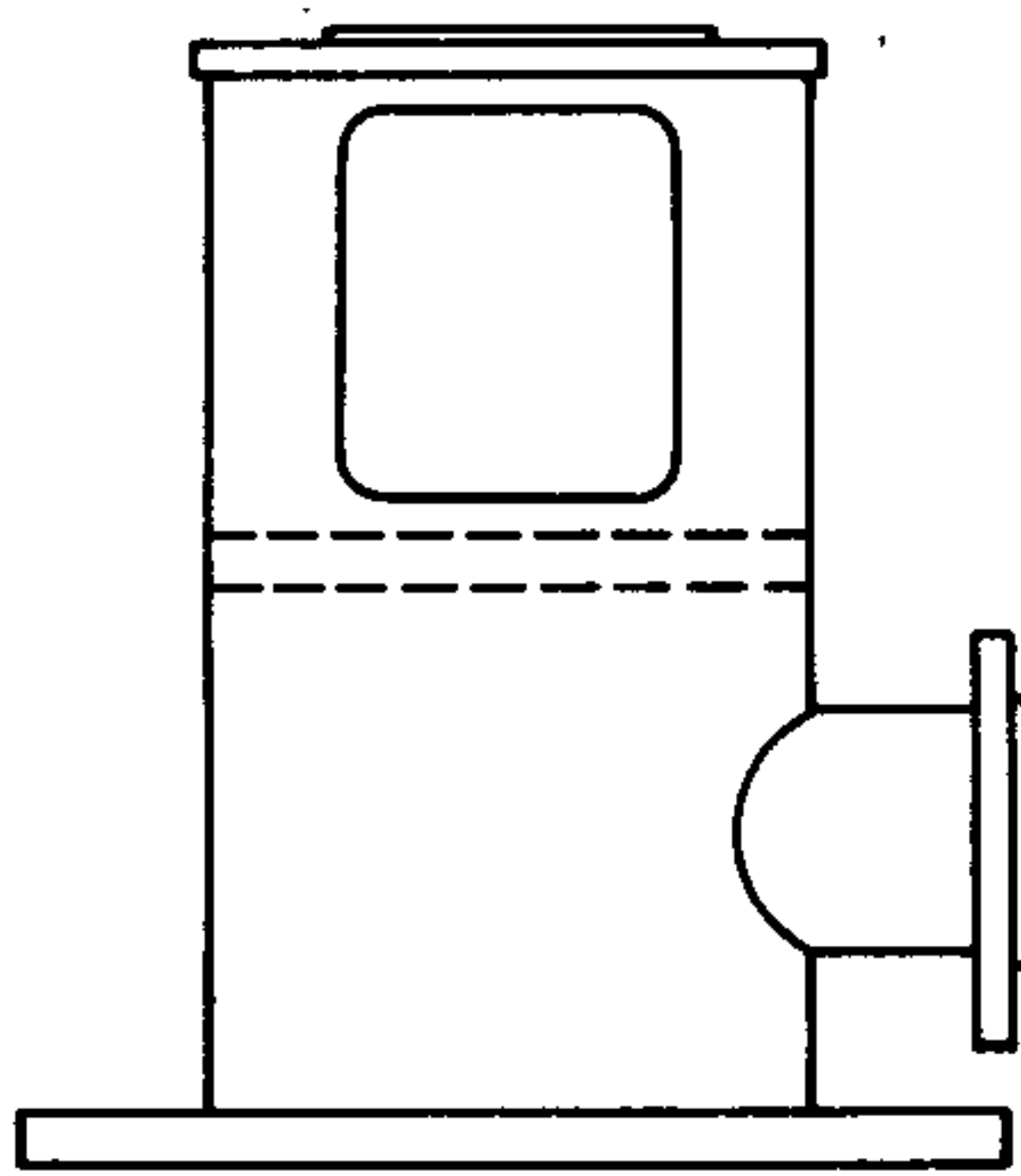
FCL, GCL



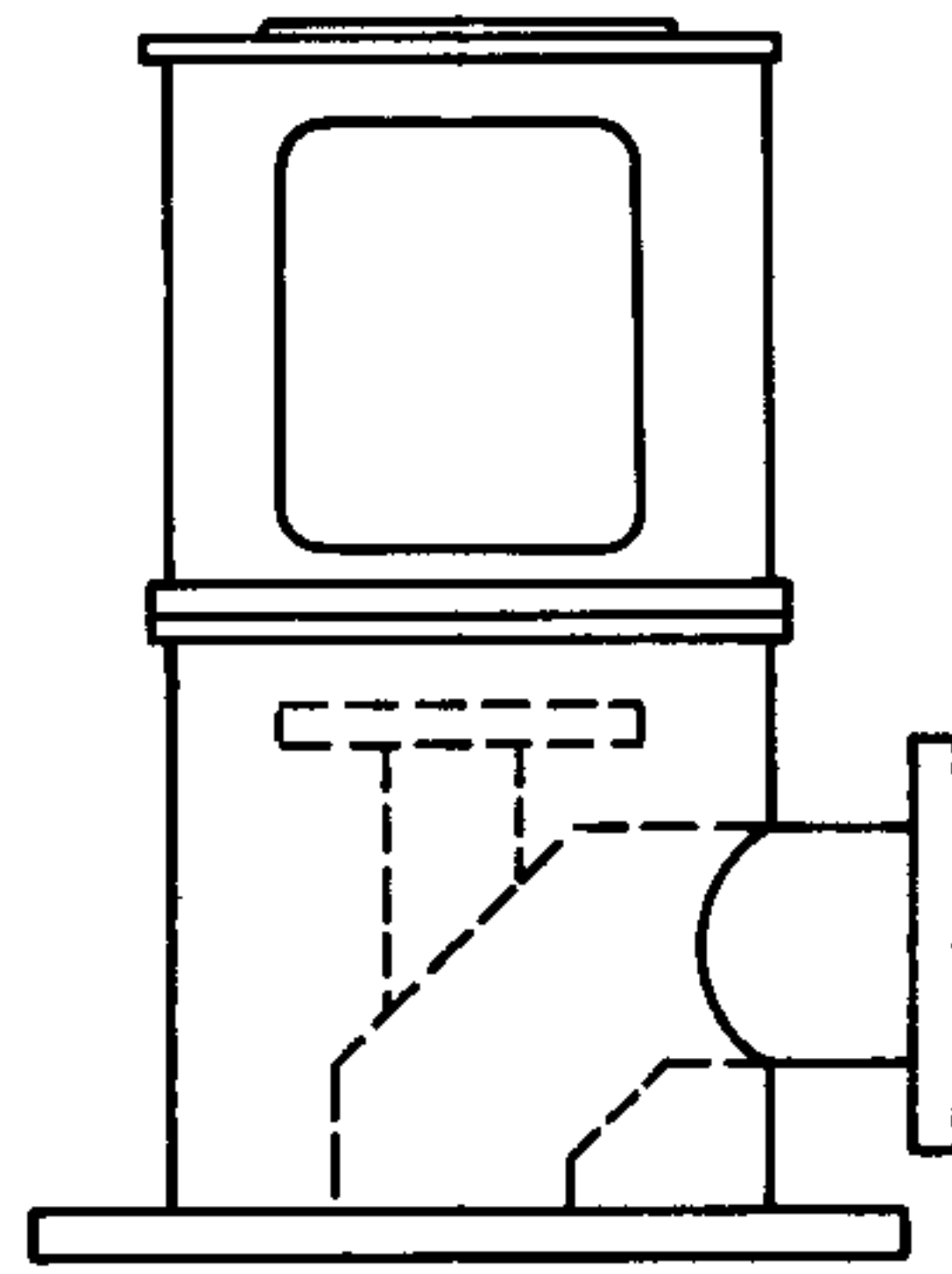
BCL



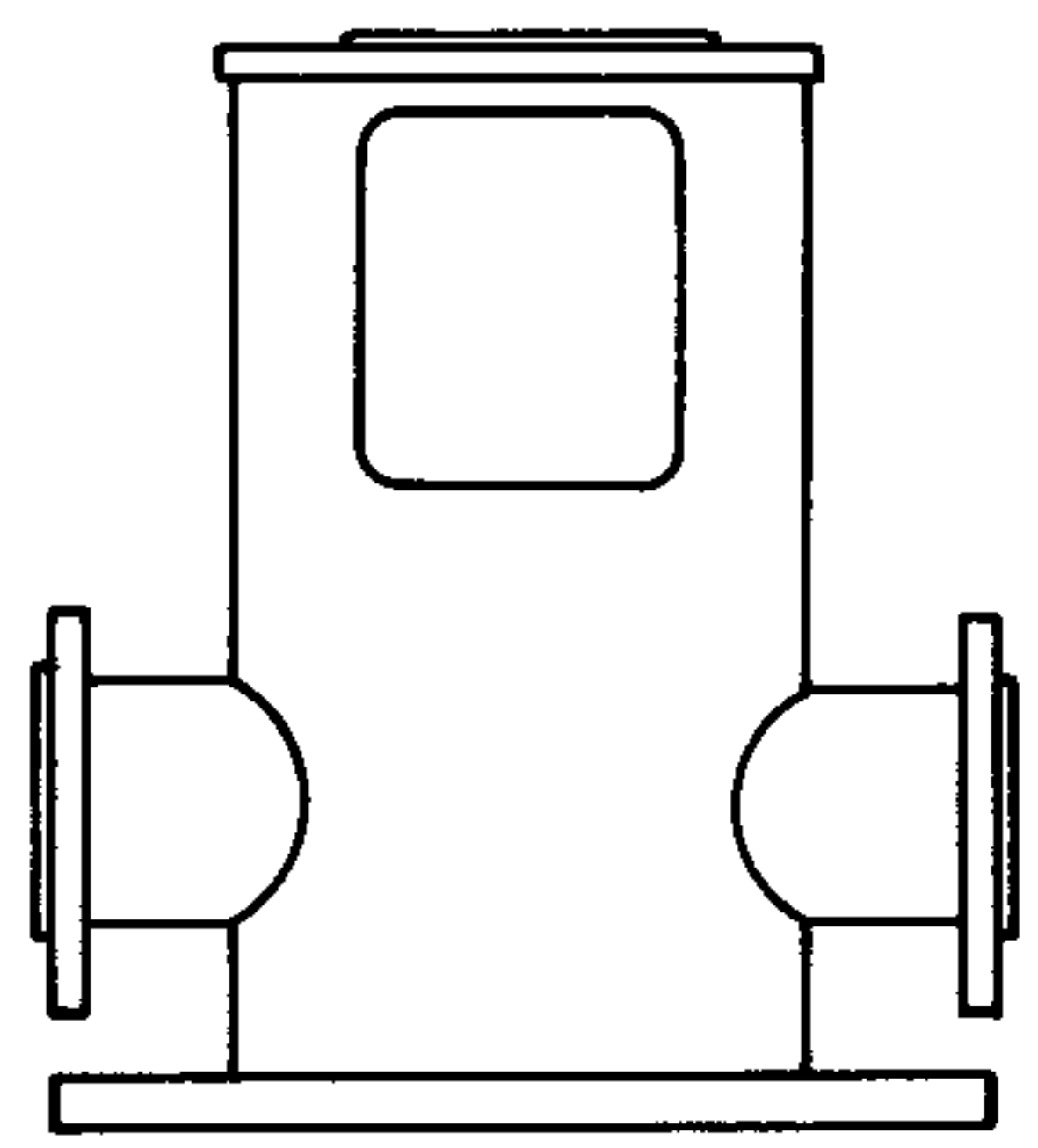
L STYLE I



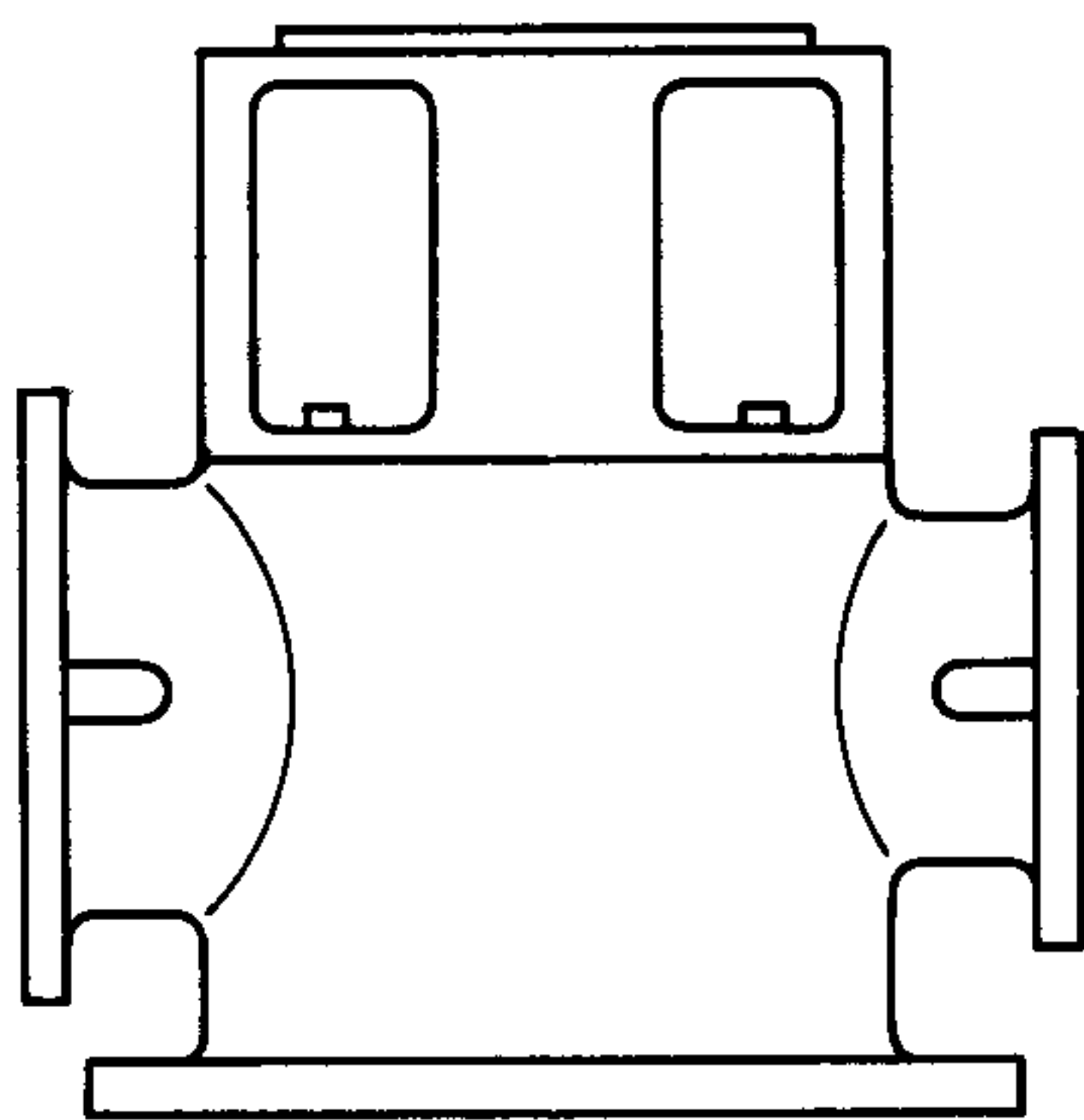
L STYLE II



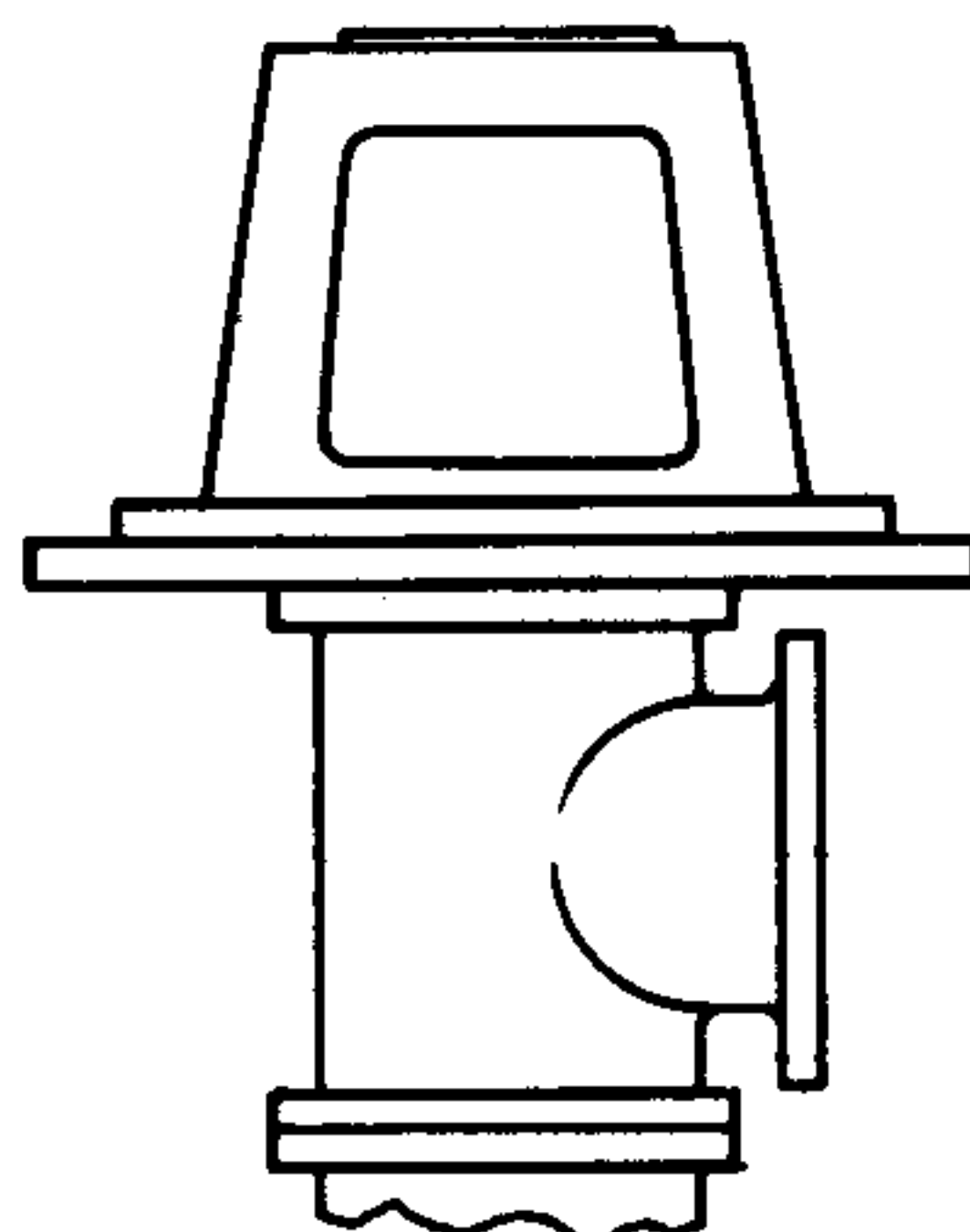
T STYLE III



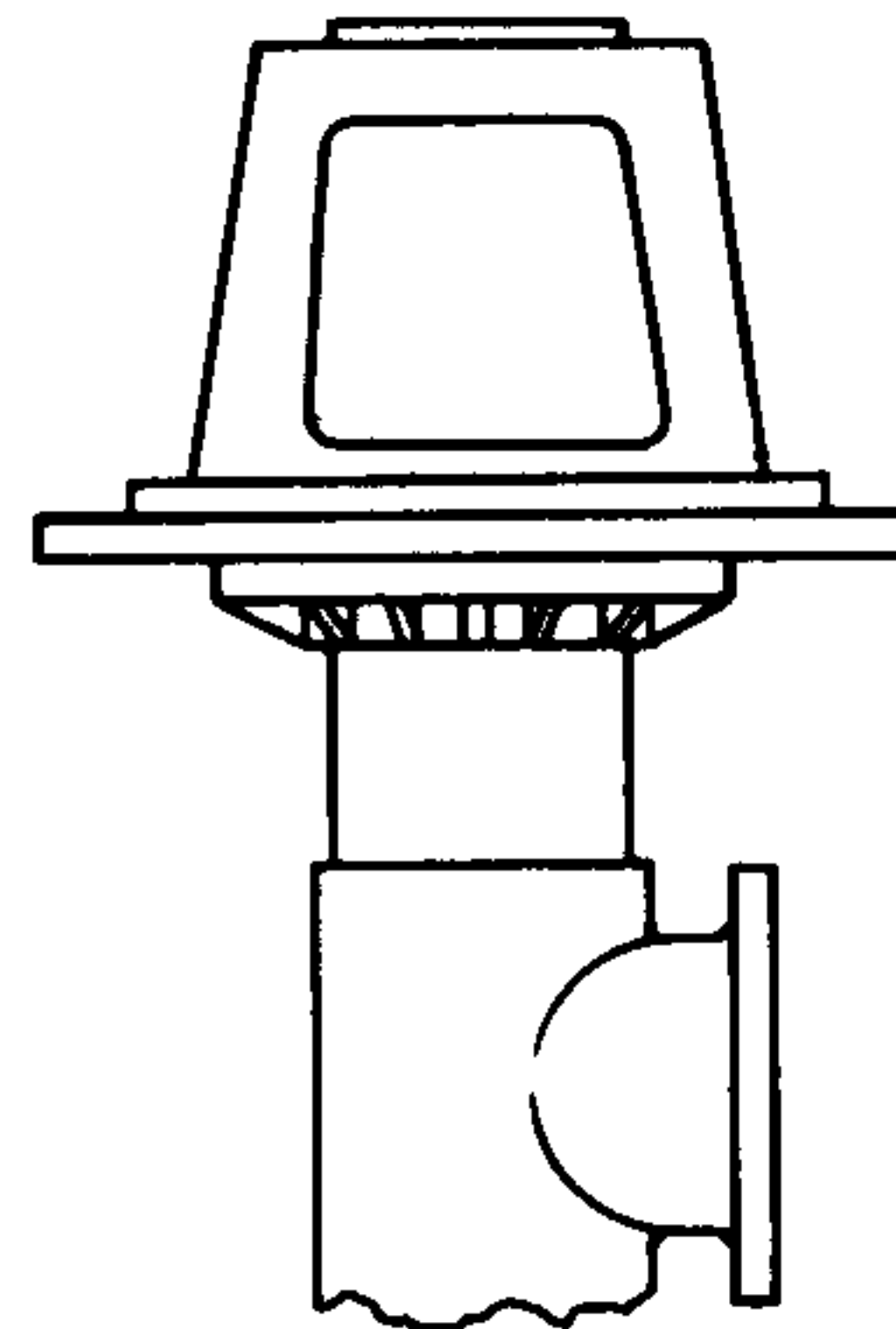
T STYLE



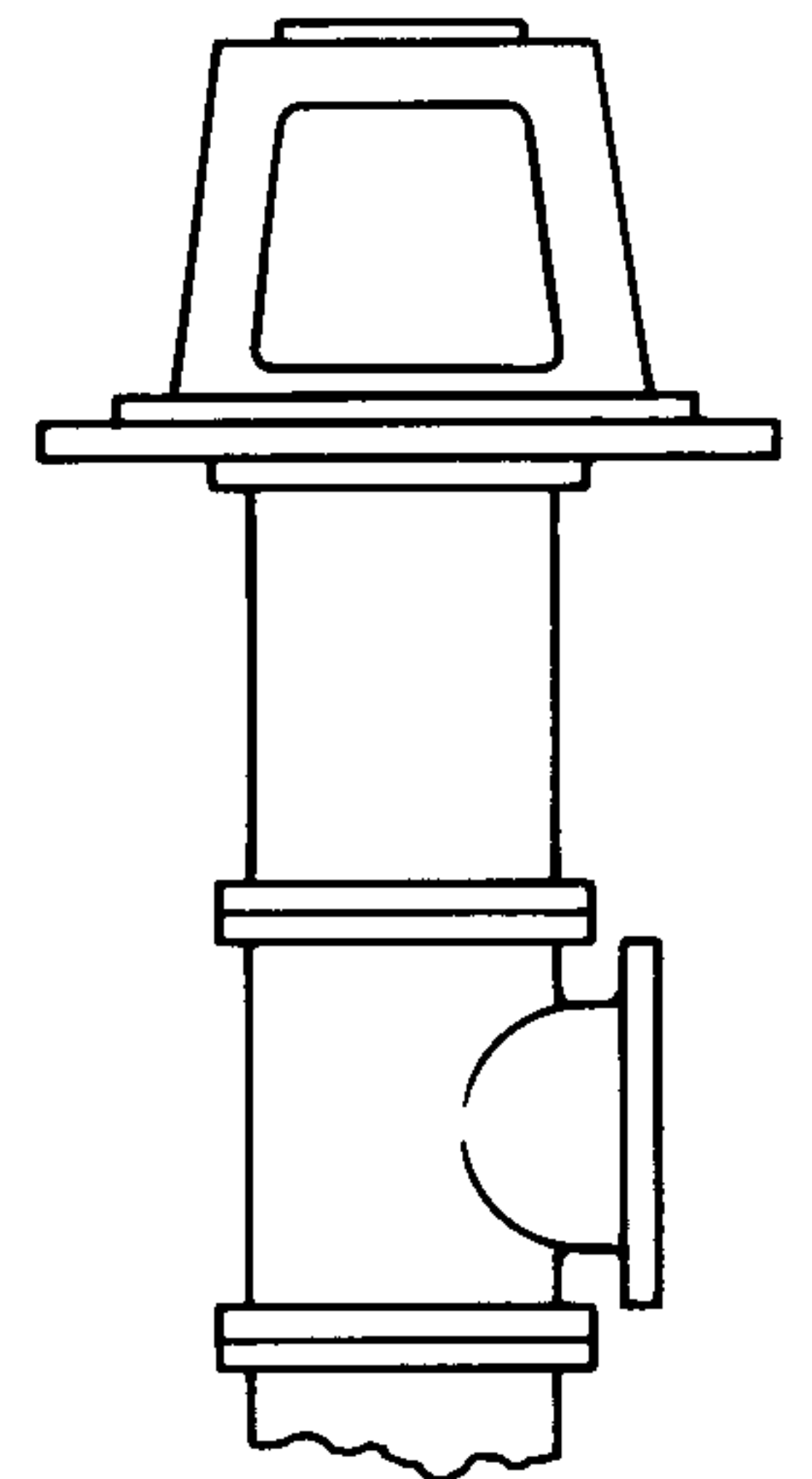
CT



STYLE A



STYLE B



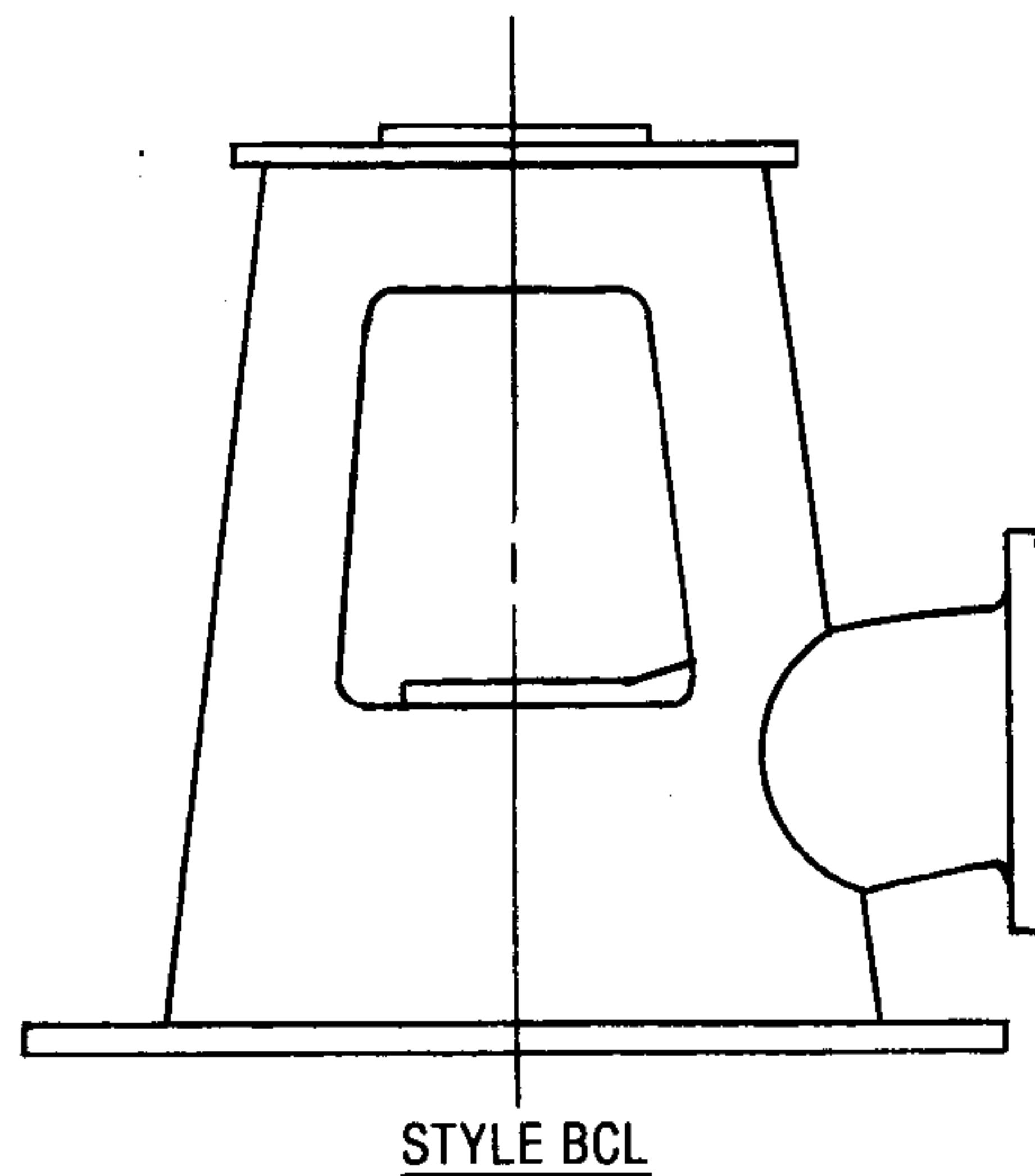
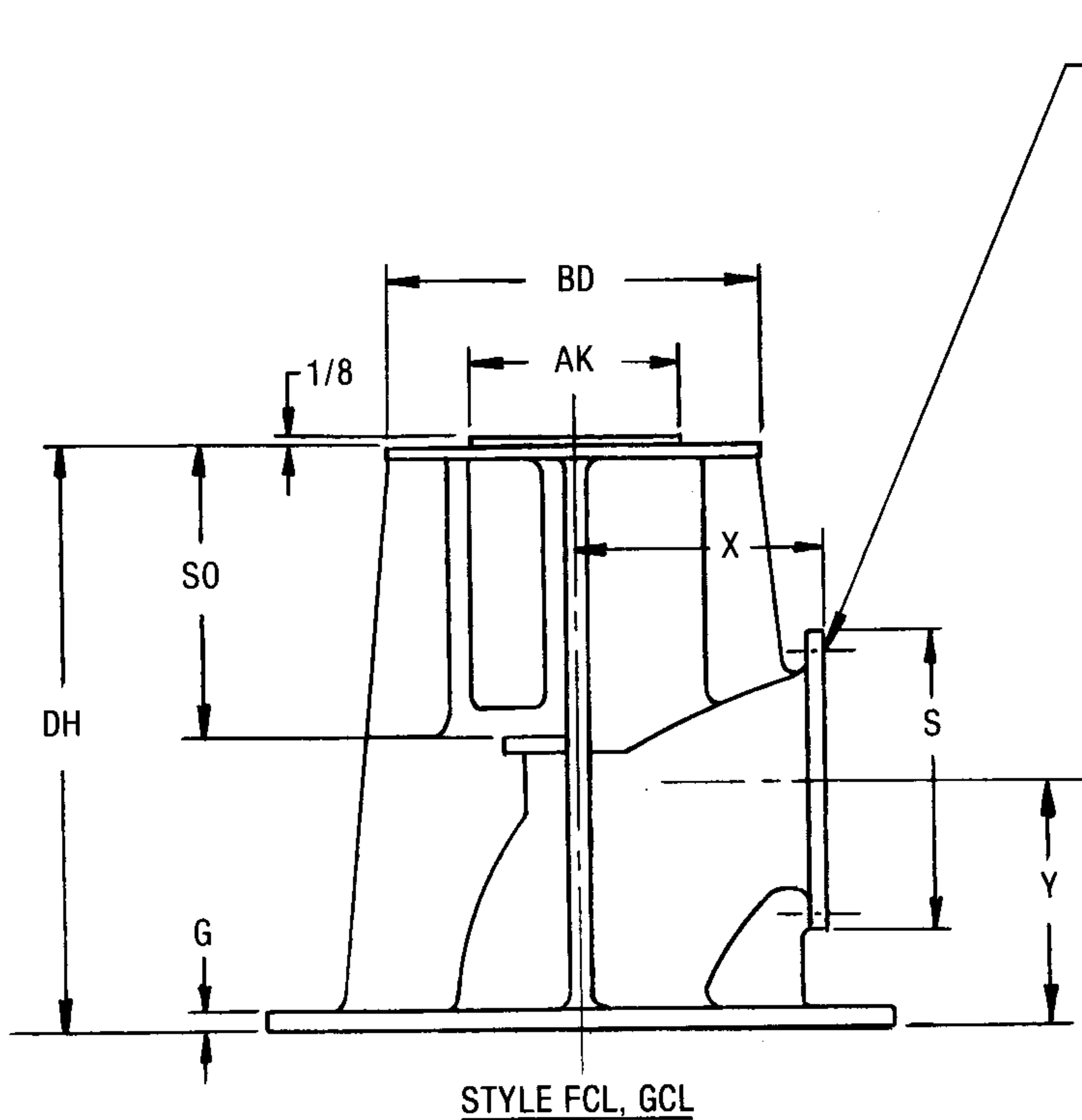
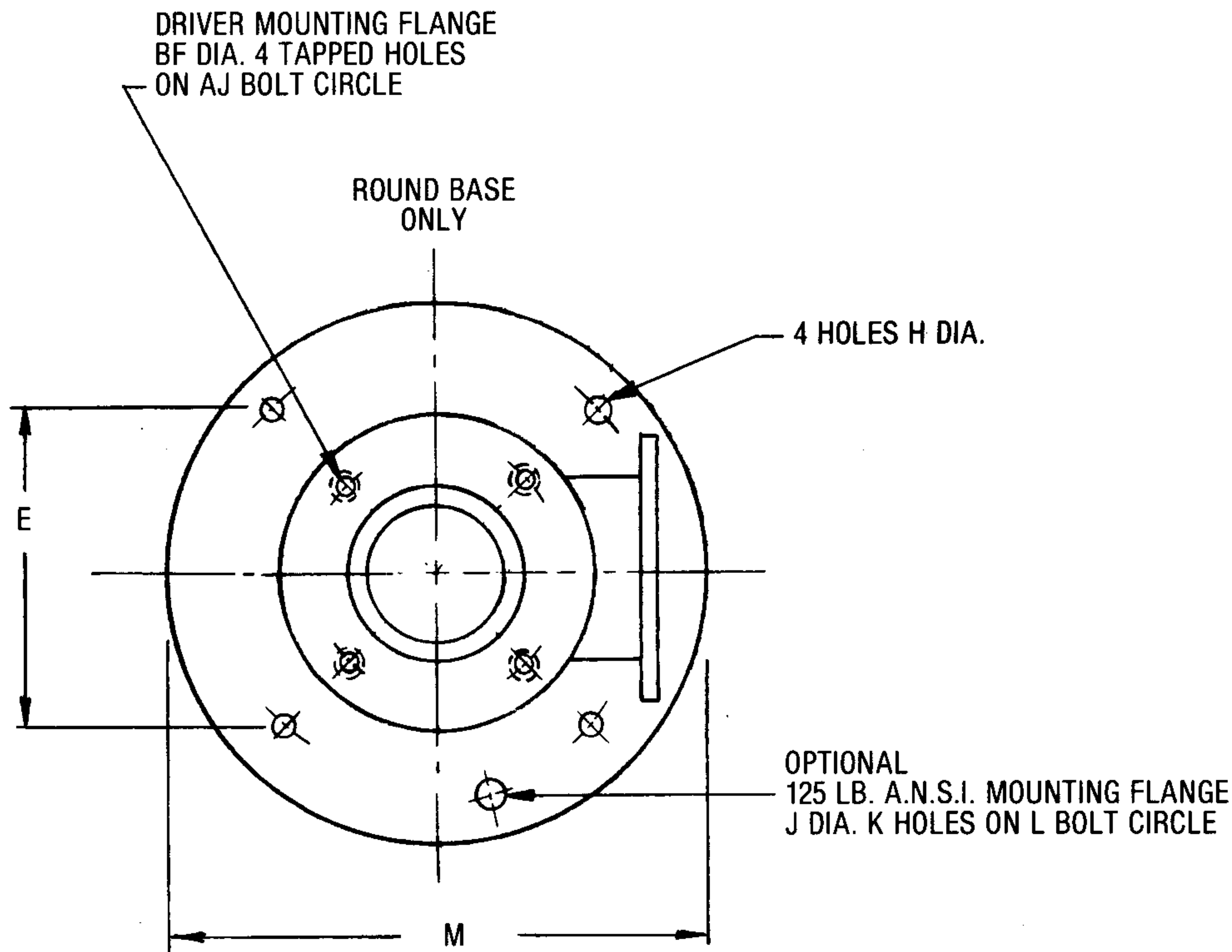
STYLE C

Veri-Line ENGINEERING DATA

CL-SURFACE DISCHARGE HEAD DIMENSIONS

125# OR 250# ANSI DISCHARGE FLANGE

DATED **APRIL 1984**
 SUPERSEDES PAGE 158
 DATED MAY 1979



Veri-Line ENGINEERING DATA

CL-SURFACE DISCHARGE HEAD DIMENSIONS 125# A.N.S.I. DISCHARGE FLANGE

DATED **APRIL 1984**
SUPERSEDES PAGE 159
DATED MAY 1979

HEAD SIZE	DISCH. FLANGE SIZE	DIMENSIONS																					
		E	G	H	J	K	L	M	N	N ₁	P	P ₁	R	R ₁	S	X	Y	AJ	AK	BD	BF	DH	SO
12FCL	4	10-1/16	1	1	1	12	14-1/4	16	3/4	7/8	8	8	7-1/2	7-7/8	10	7	7	9-1/8	8-1/4	12	3/8	18	9-3/16
12GCL	6	15	1-1/8	1-1/8	1-1/8	16	21-1/4	23-1/2	7/8	7/8	8	12	9-1/2	10-5/8	12-1/2	9	9	9-1/8	8-1/4	12	3/8	24	14
17GCL	6	15	1-1/8	1-1/8	1-1/8	16	21-1/4	23-1/2	7/8	7/8	8	12	9-1/2	10-5/8	12-1/2	9	9	14-3/4	13-1/2	16-1/2	5/8	24	14
17BCL	8	16-1/16	1-1/4	1-1/4	1-1/4	16	22-3/4	25	7/8	1	8	12	11-3/4	13	15	15	11	14-3/4	13-1/2	16-1/2	5/8	26	13
	10								1	1-1/8	12	16	14-1/4	15-3/4	17-1/2								
20BCL	8	16-1/16	1-1/4	1-1/4	1-1/4	16	22-3/4	25	7/8	1	8	12	11-3/4	13	15	15	11	14-3/4	13-1/2	20	5/8	26	13
	10								1	1-1/8	12	16	14-1/4	15-1/4	17-1/2								

HEAD SIZE	DISCHARGE FLANGE SIZE	COLUMN FLANGE SIZE	SHAFT CENTERING REGISTERS	MAXIMUM SHAFT SIZE	
				Packing Box	Mechanical Seal
12FCL4	4	4,3	3.0	1-3/16	1
12GCL6	6	6,5	4.5	1-15/16	1-11/16
17GCL6	6	6,5	4.5	1-15/16	1-11/16
17BCL8	8	8	4.5,6	2-3/16	1-15/16
17BCL10	10	10			
20BCL8	8	8	4.5,6	2-3/16	1-15/16
20BCL10	10	10			