

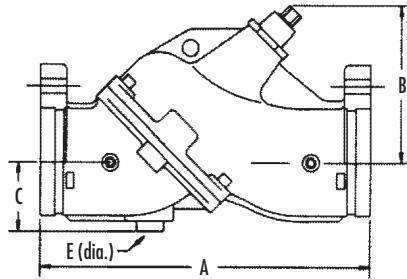
AURORA ACCESSORIES

TRIPLE DUTY VALVES STRAIGHT AND ANGLE – SIZES 2-1/2" – 6"

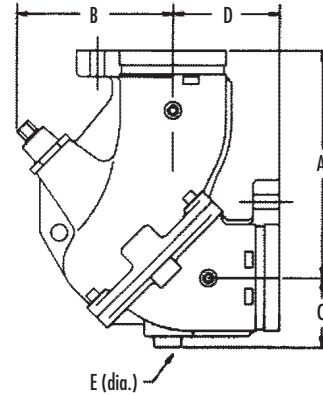
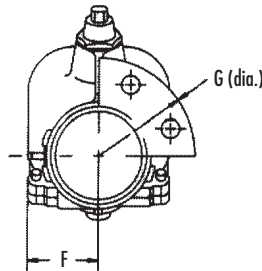
Section **1040** Page **305**

Dated **FEBRUARY 2012**

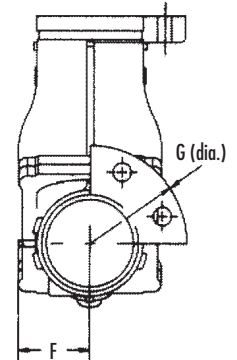
Supersedes Section 1040 Page 305
Dated May 2010



Model 3DVG-S (Straight)



Model 3DVG-A (Angle)



MODEL	3DVG-S (Straight) in inches (mm)					3DVG-A (Angle) in inches (mm)				
	2-1/2	3	4	5	6	2-1/2	3	4	5	6
A	12 (305)	12 (305)	14 (356)	17-1/2 (445)	20-11/16 (525)	7-3/8 (187)	8-3/16 (208)	9-5/8 (244)	12 (305)	14-1/8 (359)
B (fully open)	7 (178)	7-13/16 (198)	8 (203)	10-1/8 (257)	10-3/8 (264)	7 (178)	7-13/16 (198)	8 (203)	10-1/8 (257)	10-3/8 (264)
C	2-3/4 (70)	2-7/16 (62)	3 (76)	3-5/8 (92)	4-7/16 (113)	2-3/4 (70)	2-7/16 (62)	3 (76)	3-5/8 (92)	4-7/16 (113)
D	–	–	–	–	–	4-5/8 (117)	3-7/8 (98)	4-3/8 (111)	5-1/2 (140)	6-5/8 (168)
E	1 (25)	1 (25)	1-1/4 (32)	1-1/4 (32)	2 (51)	1 (25)	1 (25)	1-1/4 (32)	1-1/4 (32)	2 (51)
F	2-9/16 (65)	3 (76)	3-7/16 (87)	4-15/16 (125)	5-7/8 (149)	2-9/16 (65)	3 (76)	3-7/16 (87)	4-15/16 (125)	5-7/8 (149)
G (Flange 125/150 psi)	7 (178)	7-1/2 (191)	9-1/4 (235)	10 (254)	11 (279)	7 (178)	7-1/2 (191)	9-1/4 (235)	10 (254)	11 (279)
G (Flange 250/300 psi)	7-1/2 (191)	8-1/4 (210)	10 (254)	11 (279)	12-1/2 (318)	7-1/2 (191)	8-1/4 (210)	10 (254)	11 (279)	12-1/2 (318)
Weight lbs. (kg)	19 (9)	24 (11)	42 (19)	81 (37)	120 (54)	19 (9)	24 (11)	42 (19)	81 (37)	120 (54)

Materials of Construction

Body	Ductile Iron – ASTM A536 GR 65-45-12
Disc	Bronze – ASTM B584 C-84400
Seat	High Strength Engineered Resin
Stem	Stainless Steel – ASTM A582 Type 416
Spring	Stainless Steel – ASTM A302
O-Rings	Buna
Metering Ports (2)	NPT Brass Body with EPT Check and Gasketed Cap
Drain Tappings (2)	1/4" with Brass Plug
Flange Adapter	Ductile Iron – ASTM A536 GR 65-45-12 with EPT Gaskets
Insulation	PVC white cover with mineral fiberglass insulation which meets or exceeds ASTM D1784 Class 14253-C, MEA #7-87, ASTM E84 and ASTM E136 and flame rating of 25 or less and smoke rating of 50 or less.

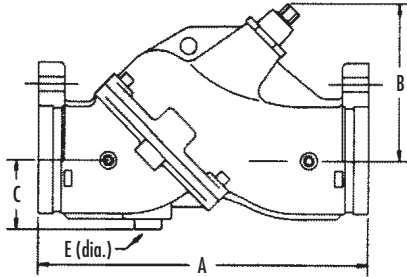
Flange Adapter Details

Valve Size	125 psi/150 psi Ductile Iron			250 psi/300 psi Ductile Iron			Rec'd Bolt Length
	Bolt		Bolt Dia. in inches (mm)	Bolt		Bolt Dia. in inches (mm)	
	No.	Size		No.	Size		
2-1/2	4	5/8	5-1/2 (140)	8	3/4	5-7/8 (149)	2-1/2
3	4	5/8	6 (152)	8	3/4	6-5/8 (168)	2-1/2
4	8	5/8	7-1/2 (191)	8	3/4	7-7/8 (200)	3
5	8	3/4	8-1/2 (216)	8	3/4	9-1/4 (235)	3
6	8	3/4	9-1/2 (241)	12	3/4	10-5/8 (270)	3-1/4

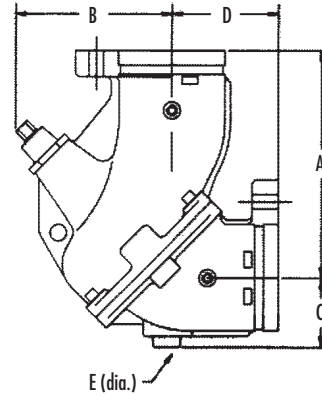
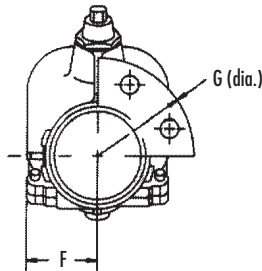
Optional Feature: Viton® Elastomers for temperatures above 230°F.

Note: EPT Elastomers are not suitable for oil service.

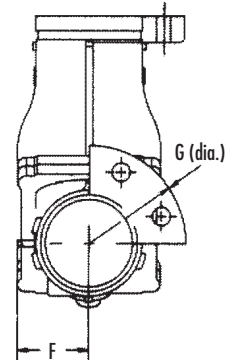
AURORA ACCESSORIES
TRIPLE DUTY VALVES
 STRAIGHT AND ANGLE – SIZES 8" – 12"



Model 3DVG-S (Straight)



Model 3DVG-A (Angle)



MODEL	3DVG-S (Straight) in inches (mm)			3DVG-A (Angle) in inches (mm)		
	8	10	12	8	10	12
Connection Size						
A	28-3/16 (716)	30 (762)	38-1/16 (967)	18-15/16 (481)	20-5/16 (516)	24-1/16 (611)
B (open)	22-13/16 (579)	28-5/8 (727)	32-5/8 (829)	18-3/4 (476)	24 (610)	26-1/4 (667)
C	5-11/16 (144)	6-9/16 (167)	7-5/8 (194)	5-11/16 (144)	6-9/16 (167)	7-5/8 (194)
D	–	–	–	9-3/16 (233)	9-3/4 (248)	14 (356)
E	2-1/4 (57)	2-1/4 (57)	2-1/4 (57)	2-1/4 (57)	2-1/4 (57)	2-1/4 (57)
F	7-7/8 (200)	9-15/32 (241)	12-5/8 (321)	7-7/8 (200)	9-15/32 (241)	12-5/8 (321)
G (Flange 125")	13-1/2 (343)	16 (406)	19 (483)	13-1/2 (343)	16 (406)	19 (483)
G (Flange 250")	15 (381)	17-1/2 (445)	20-1/2 (521)	15 (381)	17-1/2 (445)	20-1/2 (521)
Weight lbs. (kg)	310 (141)	460 (209)	870 (395)	310 (141)	460 (209)	870 (395)

Materials of Construction

Body	Ductile Iron – ASTM A536 GR 65-45-12
Disc	Bronze – ASTM B584 C-84400
Seat	EPDM
Stem	Stainless Steel
Memory Lock	Brass – ASTM B-16
O-Rings	Buna N.
Metering Ports	NPT Brass Body with EPT Check
Drain Tappings	1/4" Quantity 2 with Brass Plug
Flange Adapters	Ductile Iron
Flange Gaskets	EPDM
Insulation	Fiberglass

Optional Feature: Viton® Elastomers for temperatures above 230°F.

Note: EPT Elastomers are not suitable for oil service.

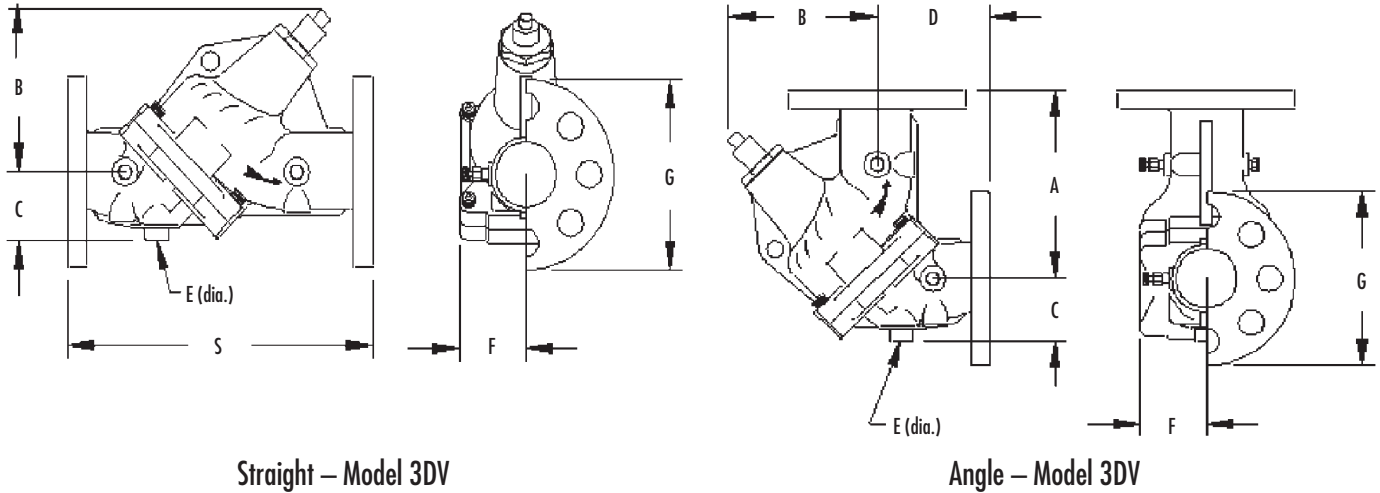
AURORA ACCESSORIES

TRIPLE DUTY VALVES

Dated **MAY 2010**

ANSI FLANGED – 125/250 PSIG

STRAIGHT AND ANGLE – SIZES 2-1/2" – 12"



Straight – Model 3DV

Angle – Model 3DV

125 psig	DIMENSIONS in inches (mm)							
Connection Size	2-1/2	3	4	5	6	8	10	12
A	7.38 (187)	8.19 (208)	9.63 (245)	12.00 (305)	14.13 (359)	19.00 (483)	20.30 (516)	24.07 (611)
B (fully open)	7.00 (178)	7.81 (198)	8.00 (203)	10.13 (257)	10.38 (264)	18.75 (476)	24.00 (610)	26.25 (667)
C	2.75 (70)	2.44 (62)	3.00 (76)	3.63 (92)	4.44 (113)	5.69 (145)	6.56 (167)	7.63 (194)
D	4.63 (118)	3.88 (99)	4.38 (111)	5.50 (140)	6.63 (168)	9.19 (233)	9.78 (248)	14.05 (357)
E	1.00 (25)	1.00 (25)	1.25 (32)	1.25 (32)	2.00 (51)	2.25 (57)	2.25 (57)	2.25 (57)
F	2.56 (65)	3.00 (76)	3.44 (87)	4.94 (125)	5.88 (149)	7.88 (200)	9.47 (241)	12.63 (321)
G	7.00 (178)	7.50 (191)	9.00 (229)	10.00 (254)	11.00 (279)	13.50 (343)	16.00 (406)	19.00 (483)
S	12.00 (305)	12.00 (305)	14.00 (356)	17.50 (445)	20.69 (526)	28.00 (711)	30.01 (762)	38.09 (967)
Weight lbs. (kg)	33 (15.0)	39 (17.7)	59 (26.8)	108 (49.0)	167 (75.7)	344 (156.0)	603 (273)	1006 (456)

250 psig	DIMENSIONS in inches (mm)		
Connection Size	8	10	12
A	19.11 (485)	20.33 (516)	24.05 (611)
B (fully open)	18.75 (476)	24.00 (610)	26.25 (667)
C	5.69 (145)	6.56 (167)	7.63 (194)
D	9.69 (246)	9.80 (249)	14.03 (356)
E	2.25 (57)	2.25 (57)	2.25 (57)
F	7.88 (200)	9.47 (241)	12.63 (321)
G	15.00 (380)	17.50 (445)	20.50 (521)
S	28.20 (716)	30.01 (762)	38.05 (966)
Weight lbs. (kg)	396 (180.0)	712 (323.6)	1163 (528.6)

Materials of Construction

ANSI Flange Rating	125 psi	250 psi
Body	Cast Iron – ASTM A48 Class 30	Ductile Iron – ASTM A536 GR 65-45-12
Disc	Bronze – ASTM B584-C84400	
Seat	EPDM*	
Stem	Stainless Steel – ASTM A582 Type 416	
Spring	Stainless Steel – ASTM A313 Type 302	
O-Rings	Buna (STEM) Elastomers & EPDM	
Metering Ports (2)	Brass Body with EPDM Check and Gasketed Cap	
Drain Tappings (2)	1/4" NPT with Brass Plug	
Insulation (Optional)	PVC white cover with mineral fiberglass insulation which meets or exceeds ASTM D1784 Class 14253-C, MEA #7-87, ASTM E84 and ASTM E136 and flame rating of 25 or less and smoke rating of 50 or less.	

Notes: Dimensional Tolerance up to +/- 0.125 in (3mm).

ANSI Flange Rating	125 psi	250 psi
Max. Working Pressure	250 psi (17 bars)	375 psi (25 bars)

Optional Feature: Viton® Elastomers for temperatures to 300°F (150°C).

*EPDM Elastomers are not suitable for oil service.