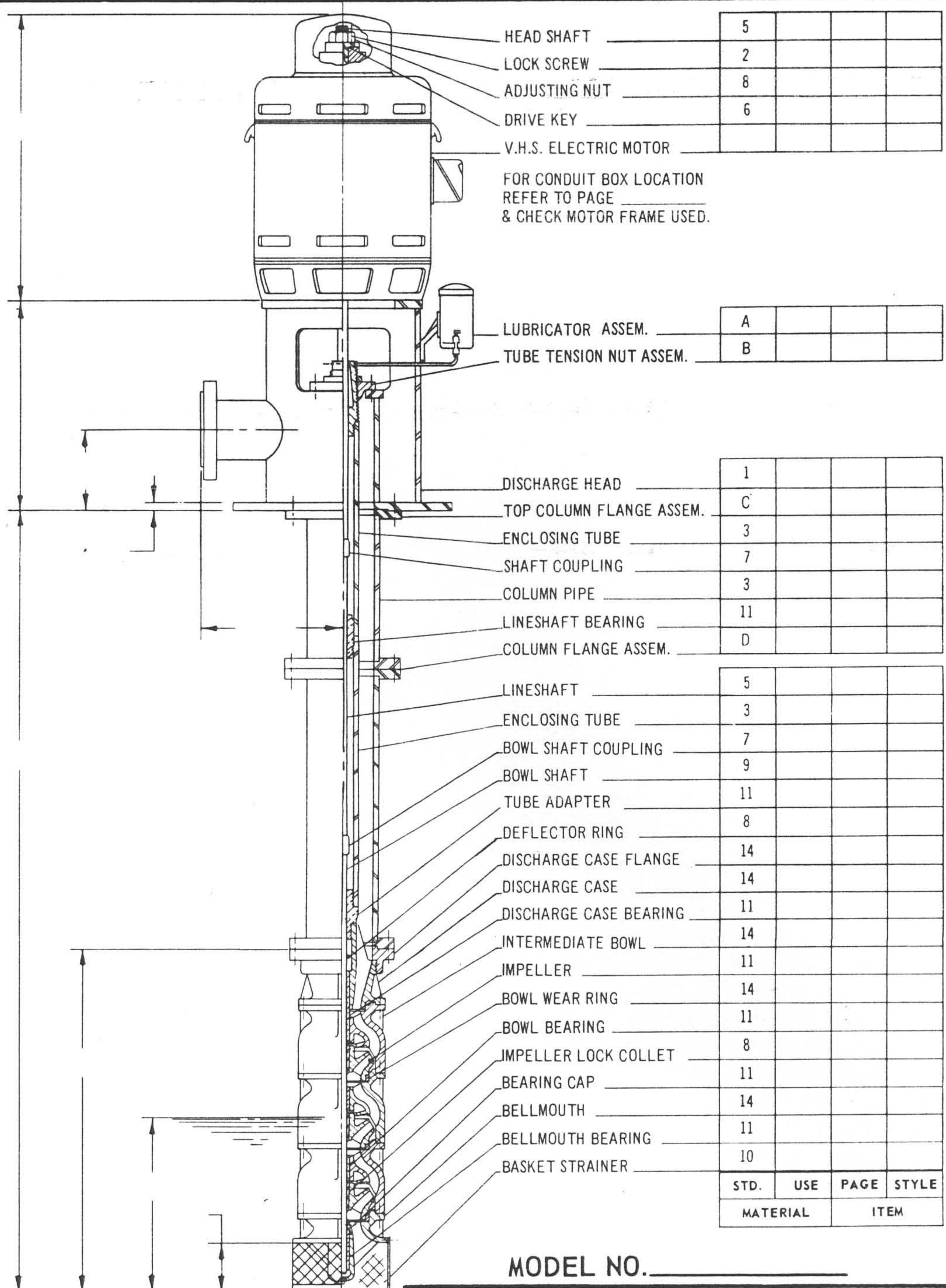


Verti-Line PUMP



PAGE 510
DATE 11/30/64
9/15/65

ENCLOSED LINESHAFT - FLANGED COLUMN

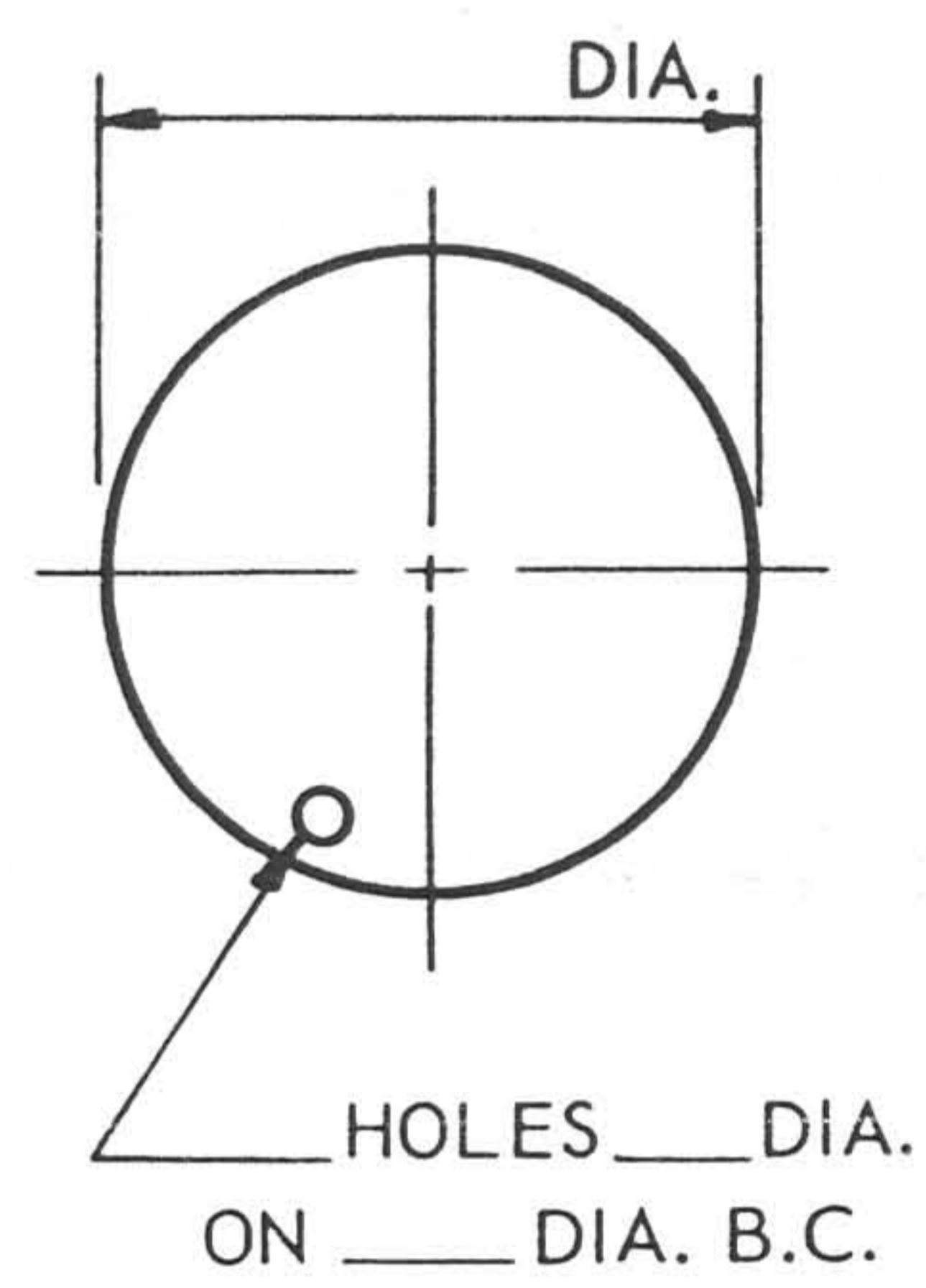


HEAD SHAFT	5			
LOCK SCREW	2			
ADJUSTING NUT	8			
DRIVE KEY	6			
V.H.S. ELECTRIC MOTOR				
FOR CONDUIT BOX LOCATION REFER TO PAGE _____ & CHECK MOTOR FRAME USED.				
LUBRICATOR ASSEM.	A			
TUBE TENSION NUT ASSEM.	B			
DISCHARGE HEAD	1			
TOP COLUMN FLANGE ASSEM.	C			
ENCLOSING TUBE	3			
SHAFT COUPLING	7			
COLUMN PIPE	3			
LINESHAFT BEARING	11			
COLUMN FLANGE ASSEM.	D			
LINESHAFT	5			
ENCLOSING TUBE	3			
BOWL SHAFT COUPLING	7			
BOWL SHAFT	9			
TUBE ADAPTER	11			
DEFLECTOR RING	8			
DISCHARGE CASE FLANGE	14			
DISCHARGE CASE	14			
DISCHARGE CASE BEARING	11			
INTERMEDIATE BOWL	14			
IMPELLER	11			
BOWL WEAR RING	14			
BOWL BEARING	11			
IMPELLER LOCK COLLET	8			
BEARING CAP	11			
BELLMOUTH	14			
BELLMOUTH BEARING	11			
BASKET STRAINER	10			
STD.	USE	PAGE	STYLE	
MATERIAL		ITEM		

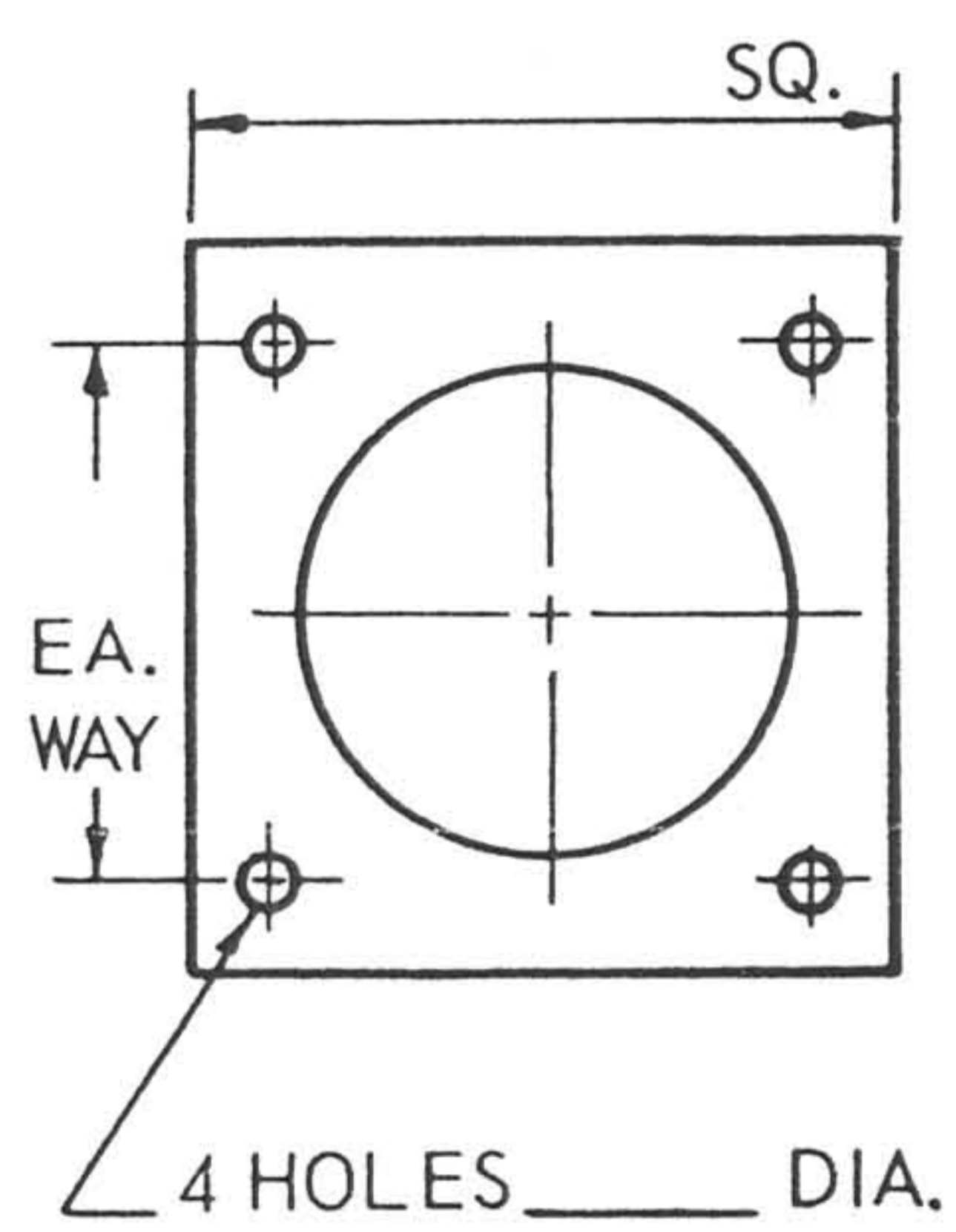
MODEL NO. _____

SEE PUMP MATERIAL SPECIFICATION INDEX BELOW

ROUND BASE PLATE DIMENSIONS



SQUARE BASE PLATE DIMENSIONS



NOTE:
USE CERTIFICATION OR APPROVAL STAMP ON REVERSE SIDE.

FLAT FACE DISCHARGE FLANGE AVAILABLE ONLY WHEN REQUESTED.

PUMP MATERIAL SPECIFICATIONS INDEX

1 Steel ASTM A 7	7 Steel SAE 1144	13 Neoprene	19	A Refer to page
2 Steel SAE 1018 GR 2	8 Steel SAE 1113	14 Moly Iron Class 35	20	B Refer to page
3 Steel ASA A120 GR B	9 Steel AISI 416	15	21	C Refer to page
4 Steel ASTM A 107	10 Coated Steel	16	22	D Refer to page
5 Steel SAE 1045	11 Bronze SAE 40	17	23	E Refer to page
6 Steel SAE 1019	12 Rubber	18	24	F Refer to page

LAYNE & BOWLER PUMP COMPANY

CITY OF INDUSTRY, CALIFORNIA (GREATER LOS ANGELES) PUENTE AVENUE AT VALLEY BOULEVARD ZIP MAIL -> BOX 1300, LA PUENTE, CALIFORNIA 91747

CUST. _____ L & B QUOTE (or order) NO. _____
 NO. _____ SPEC. _____ ITEM. _____
 USER _____ TOTAL LGTH. _____ TOTAL WT. _____
 NO. _____ BY _____ DATE _____