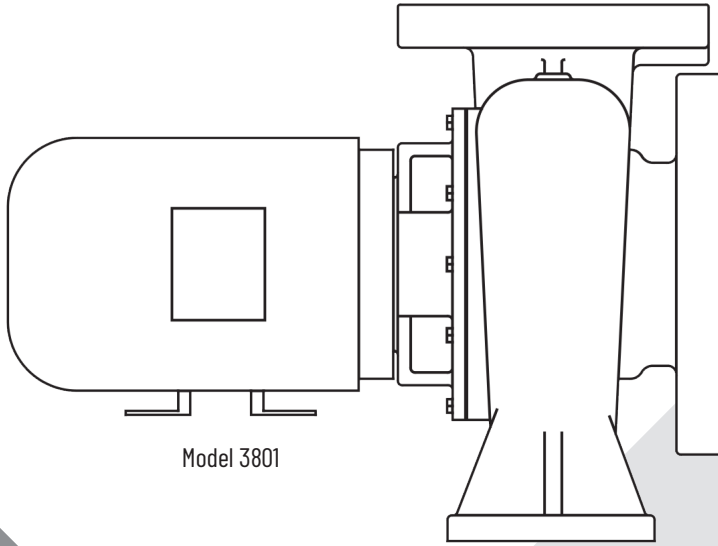
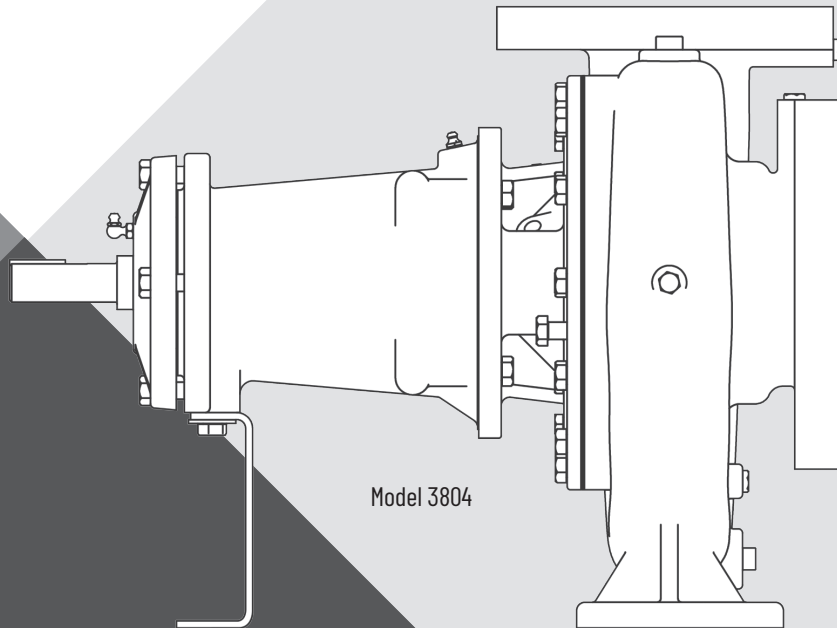


END SUCTION PUMPS

3801 ♦ 3804



Model 3801



Model 3804

**DIMENSION TABLES
ADDENDUM**

TABLE OF CONTENTS

SECTION.....	PAGE
Pentair Aurora® Model 3801 Pumps	2-3
Motor Frame	3
Pentair Aurora Model 3804 Pumps	4-15
Pump End Only	4-5
With Optional Base, Coupling and Motor	6-13
With Formed Steel Base, Coupling and Motor	14
With Drip Rim Base, Coupling and Motor	15

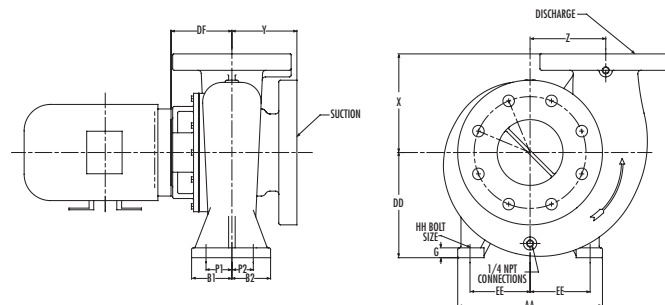
PENTAIR AURORA® MODEL 3801 PUMPS

Pump Size	Disch.	Suct.	DD	X	Y	Z	P1	P2	B1	B2	G	HH	EE	AA	DF 143-184JM	DF 213-215JM	DF 254-256JM	DF 284-326JM	DF 384-405TCZ	DF 444-449TCZ
1.25x1.5x7 (NPT)	1.25	1.5	7.00 (178)	5.00 (127)	3.25 (83)	4.50 (114)	1.63 (041)	1.38 (035)	2.63 (067)	2.38 (060)	0.63 (016)	0.44 (011)	3.25 (083)	8.00 (203)	4.25 (108)	4.25 (108)	N/A	N/A	N/A	N/A
1.25x1.5x9.5 (NPT)	1.25	1.5	7.00 (178)	8.00 (203)	3.25 (83)	5.50 (140)	2.44 (62)	1.94 (49)	3.06 (78)	2.56 (65)	0.63 (16)	0.50 (13)	4.56 (116)	10.38 (264)	4.59 (117)	4.59 (117)	5.25 (133)	5.25 (133)	N/A	N/A
1.5x2x7 (NPT)	1.5	2	7.00 (178)	6.00 (152)	3.13 (079)	4.63 (117)	1.44 (037)	1.56 (040)	2.44 (062)	2.56 (065)	0.63 (016)	0.44 (011)	3.25 (083)	8.00 (203)	4.75 (121)	4.75 (121)	5.31 (135)	N/A	N/A	N/A
1.5x2x9.5 (NPT)	1.5	2	7.00 (178)	6.50 (165)	3.11 (79)	5.75 (146)	2.44 (62)	1.94 (49)	3.25 (83)	2.75 (70)	0.63 (16)	0.63 (16)	4.56 (116)	10.75 (273)	4.59 (117)	4.59 (117)	5.25 (133)	5.25 (133)	N/A	N/A
1.5x2x11 (NPT)	1.5	2	8.00 (203)	9.00 (229)	3.13 (079)	5.75 (146)	1.44 (037)	2.94 (075)	2.25 (057)	3.75 (095)	0.69 (017)	0.44 (011)	4.56 (116)	11.00 (279)	4.63 (118)	4.63 (118)	5.63 (143)	5.63 (143)	N/A	N/A
1.5x2x12 (NPT)	1.5	2	10.00 (254)	7.75 (197)	2.75 (070)	5.75 (146)	1.94 (049)	2.94 (075)	2.87 (073)	3.75 (095)	0.69 (017)	0.44 (011)	4.56 (116)	11.00 (279)	4.81 (122)	4.81 (122)	N/A	N/A	N/A	N/A
2x2.5x7A▲	2	2.5	7.00 (178)	6.50 (165)	3.50 (089)	4.75 (121)	1.63 (041)	1.44 (037)	2.56 (065)	2.44 (062)	0.63 (016)	0.44 (011)	3.25 (083)	8.00 (203)	4.88 (124)	4.88 (124)	5.50 (140)	5.50 (140)	N/A	N/A
2x2.5x9.5▲	2	2.5	8.00 (203)	7.00 (178)	4.00 (102)	5.88 (149)	1.56 (040)	2.81 (071)	2.38 (060)	3.63 (092)	0.69 (017)	0.44 (011)	4.56 (116)	11.00 (279)	4.75 (121)	4.75 (121)	5.44 (138)	5.44 (138)	N/A	N/A
2x3x11▲	2	3	10.00 (254)	8.00 (203)	5.50 (140)	6.50 (165)	2.23 (057)	2.77 (070)	3.23 (082)	3.77 (096)	0.88 (022)	0.50 (013)	7.00 (178)	16.00 (406)	4.44 (113)	4.44 (113)	5.31 (135)	5.31 (135)	9.13 (232)	9.13 (232)
2x3x13.5▲	2	3	10.00 (254)	9.00 (229)	5.50 (140)	7.25 (184)	2.00 (051)	3.00 (076)	3.00 (076)	4.00 (102)	0.88 (022)	0.50 (013)	7.00 (178)	16.00 (406)	N/A	5.38 (137)	5.38 (137)	5.38 (137)	N/A	N/A
2.5x3x7▲	2.5	3	7.00 (178)	6.00 (152)	4.25 (108)	4.69 (121)	1.63 (041)	1.38 (035)	2.63 (067)	2.38 (060)	0.63 (016)	0.44 (011)	3.25 (083)	8.00 (203)	4.81 (122)	4.81 (122)	4.44 (113)	4.44 (113)	N/A	N/A
2.5x3x9.5▲	2.5	3	8.00 (203)	6.75 (171)	4.00 (102)	6.00 (152)	1.63 (041)	2.75 (070)	2.44 (062)	3.56 (090)	0.69 (017)	0.44 (011)	4.56 (116)	11.00 (279)	4.94 (125)	4.94 (125)	5.56 (141)	5.56 (141)	9.56 (243)	9.56 (243)
2.5x3x13.5▲	2.5	3	10.00 (254)	9.00 (229)	6.00 (152)	8.00 (203)	2.00 (051)	3.00 (076)	3.00 (076)	4.00 (102)	0.88 (022)	0.50 (013)	7.00 (178)	16.00 (406)	N/A	5.50 (140)	5.50 (140)	5.50 (140)	N/A	N/A
3x4x7A▲	3	4	7.00 (178)	6.00 (152)	4.13 (105)	5.00 (127)	1.69 (043)	1.31 (033)	2.69 (068)	2.31 (059)	0.63 (016)	0.44 (011)	3.25 (083)	8.00 (203)	4.69 (119)	4.69 (119)	5.31 (135)	5.31 (135)	N/A	N/A
3x4x9.5▲	3	4	8.00 (203)	7.50 (191)	4.75 (121)	6.13 (156)	1.81 (046)	2.56 (065)	2.69 (068)	3.31 (084)	0.75 (019)	0.44 (011)	4.56 (116)	11.00 (279)	4.69 (119)	4.69 (119)	5.31 (135)	5.31 (135)	9.31 (236)	9.31 (236)
3x4x11▲	3	4	10.00 (254)	9.50 (241)	5.50 (140)	7.38 (187)	2.44 (062)	2.56 (065)	3.44 (087)	3.56 (091)	0.88 (022)	0.50 (013)	7.00 (178)	16.00 (406)	4.44 (113)	4.44 (113)	5.31 (135)	5.31 (135)	9.13 (232)	9.13 (232)
3x4x13.5▲	3	4	10.00 (254)	9.50 (241)	5.63 (143)	8.00 (203)	2.13 (054)	2.88 (073)	3.13 (080)	3.88 (098)	0.88 (022)	0.50 (013)	7.00 (178)	16.00 (406)	N/A	N/A	5.44 (138)	5.44 (138)	9.31 (236)	9.31 (236)
4x5x7A▲	4	5	8.00 (203)	7.50 (191)	4.94 (125)	5.75 (146)	2.25 (054)	2.13 (054)	3.06 (078)	2.94 (075)	0.69 (017)	0.44 (011)	4.56 (116)	11.00 (279)	4.94 (125)	4.94 (125)	5.56 (141)	5.56 (141)	N/A	N/A
4x5x9.5▲	4	5	10.00 (254)	8.00 (203)	5.00 (127)	7.00 (178)	1.88 (048)	2.50 (064)	2.69 (068)	3.31 (084)	0.75 (019)	0.44 (011)	4.56 (116)	11.00 (279)	4.69 (119)	4.69 (119)	5.31 (135)	5.31 (135)	9.31 (236)	9.31 (236)
4x5x11A▲	4	5	10.00 (254)	9.75 (248)	5.56 (141)	7.25 (184)	2.41 (061)	2.59 (066)	3.41 (087)	3.59 (091)	0.88 (022)	0.50 (013)	7.00 (178)	16.00 (406)	4.50 (114)	4.50 (114)	5.38 (137)	5.38 (137)	9.19 (233)	9.19 (233)
4x5x13.5▲	4	5	11.00 (279)	10.00 (254)	6.00 (152)	8.56 (218)	2.25 (057)	2.75 (070)	3.25 (083)	3.75 (095)	0.88 (022)	0.50 (013)	7.00 (178)	16.00 (406)	N/A	N/A	5.06 (129)	5.06 (129)	8.88 (226)	8.88 (226)
5x6x7A▲	5	6	10.00 (254)	8.50 (216)	5.81 (148)	6.25 (159)	2.81 (071)	1.56 (040)	3.63 (092)	2.38 (060)	0.69 (018)	0.44 (011)	4.56 (116)	11.00 (279)	5.18 (132)	5.18 (132)	5.81 (148)	5.81 (148)	9.50 (241)	N/A
5x6x9.5A▲	5	6	11.00 (279)	10.00 (254)	6.00 (152)	7.50 (191)	2.19 (056)	2.81 (071)	3.19 (081)	3.81 (097)	0.88 (022)	0.50 (013)	7.00 (178)	16.00 (406)	5.06 (129)	5.06 (129)	5.69 (145)	5.69 (145)	9.69 (246)	9.69 (246)
5x6x11▲	5	6	11.00 (279)	10.50 (267)	5.44 (138)	7.94 (202)	2.59 (066)	2.41 (061)	3.44 (087)	3.56 (091)	0.88 (022)	0.50 (013)	7.00 (178)	16.00 (406)	N/A	N/A	5.44 (138)	5.44 (138)	9.25 (235)	9.25 (235)
5x6x13.5▲	5	6	12.00 (305)	13.00 (330)	6.00 (152)	9.00 (229)	4.19 (106)	4.81 (122)	5.19 (132)	5.81 (148)	1.00 (025)	0.63 (016)	10.50 (267)	23.00 (584)	N/A	N/A	5.56 (141)	5.56 (141)	9.38 (238)	9.38 (238)
6x8x9.5A*▲	6	8	11.00 (279)	10.50 (267)	7.00 (178)	8.25 (210)	3.13 (079)	1.88 (048)	4.13 (105)	2.88 (073)	0.88 (022)	0.50 (013)	7.00 (178)	16.00 (406)	N/A	N/A	6.19 (157)	6.19 (157)	N/A	N/A
6x8x11A▲	6	8	12.00 (305)	11.00 (279)	6.13 (156)	8.47 (215)	4.63 (117)	4.38 (111)	5.63 (143)	5.38 (137)	1.00 (025)	0.63 (016)	10.50 (267)	23.00 (584)	N/A	N/A	5.81 (148)	5.81 (148)	N/A	N/A
6x8x13.5▲	6	8	12.63 (321)	13.38 (340)	6.50 (165)	9.31 (237)	4.50 (114)	4.50 (114)	5.50 (140)	5.50 (140)	1.00 (025)	0.63 (016)	10.50 (267)	23.00 (584)	N/A	N/A	8.38 (213)	8.38 (213)	9.44 (240)	9.44 (240)
8x10x13.5*▲	8	10	15.00 (381)	14.00 (356)	8.00 (203)	11.00 (279)	4.50 (114)	4.50 (114)	5.50 (140)	5.50 (140)	1.00 (025)	0.63 (016)	10.50 (267)	23.00 (584)	N/A	N/A	8.19 (208)	8.19 (208)	9.25 (235)	9.25 (235)

*Temporarily unavailable until further notice.

NOTES:

- Dimensions are approximate.
- All dimensions are in inches(mm) and may vary ± 1/4(6).
- Not for construction purposes unless certified.
- ▲ Available in 250 lb./125 lb. flanges.
- Dimensions do not match Bell & Gossett®.
- Conduit box is shown in approximate location. Dimensions are not specified as they may vary with each motor manufacturer.



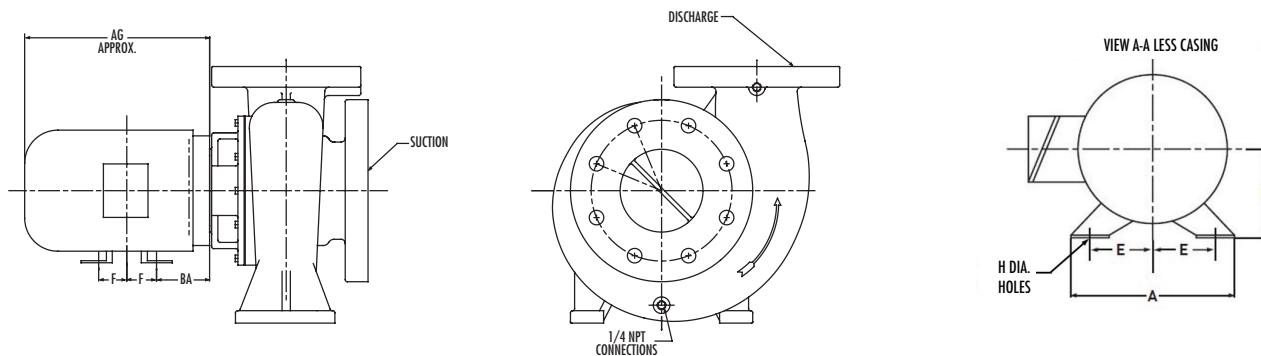
PENTAIR AURORA® MODEL 3801 PUMPS

MOTOR FRAME

Frame	AG Approx.	A	D	E	F	H	BA ³
143JM	10.00 (254)	7.00 (178)	3.50 (089)	2.75 (070)	2.00 (051)	0.34 (009)	2.25 (057)
145JM	11.00 (279)	7.00 (178)	3.50 (089)	2.75 (070)	2.50 (064)	0.34 (009)	2.25 (057)
182JM	11.00 (279)	9.00 (229)	4.50 (114)	3.75 (095)	2.25 (057)	0.41 (010)	2.75 (070)
184JM	12.00 (305)	9.00 (229)	4.50 (114)	3.75 (095)	2.75 (070)	0.41 (010)	2.75 (070)
213JM	14.00 (356)	10.50 (267)	5.25 (133)	4.25 (108)	2.75 (070)	0.41 (010)	3.50 (089)
215JM	15.00 (381)	10.50 (267)	5.25 (133)	4.25 (108)	3.50 (089)	0.41 (010)	3.50 (089)
254JM	17.50 (445)	12.50 (318)	6.25 (159)	5.00 (127)	4.13 (105)	0.53 (013)	4.25 (108)
256JM	19.00 (483)	12.50 (318)	6.25 (159)	5.00 (127)	5.00 (127)	0.53 (013)	4.25 (108)
284JM	19.00 (483)	14.00 (356)	7.00 (178)	5.50 (140)	4.75 (121)	0.53 (013)	4.75 (121)
286JM	21.00 (533)	14.00 (356)	7.00 (178)	5.50 (140)	5.50 (140)	0.53 (013)	4.75 (121)
324JM	22.00 (559)	16.00 (406)	8.00 (203)	6.25 (159)	5.25 (133)	0.66 (017)	5.25 (133)
326JM	23.00 (584)	16.00 (406)	8.00 (203)	6.25 (159)	6.00 (152)	0.66 (017)	5.25 (133)
364JM	26.00 (660)	17.17 (436)	9.00 (229)	7.00 (178)	5.63 (143) / 6.13 (156) ^B	0.66 (17)	5.88 (149)
365JM	26.00 (660)	17.17 (436)	9.00 (229)	7.00 (178)	5.63 (143) / 6.13 (156) ^B	0.66 (17)	5.88 (149)
404JM	32.00 (813)	19.92 (506)	10.00 (254)	7.99 (203)	6.12 (155) / 6.87 (174) ^B	0.81 (21)	6.61 (168)
405JM	32.00 (813)	19.92 (506)	10.00 (254)	7.99 (203)	6.12 (155) / 6.87 (174) ^B	0.81 (21)	6.61 (168)
364TCZ	24.00 (610)	18.00 (457)	9.00 (229)	7.00 (178)	5.63 (143)	0.66 (017)	5.88 (149)
365TCZ	24.00 (610)	18.00 (457)	9.00 (229)	7.00 (178)	6.13 (156)	0.66 (017)	5.88 (149)
404TCZ	27.25 (692)	20.00 (508)	10.00 (254)	8.00 (203)	6.13 (156)	0.81 (021)	6.63 (168)
405TCZ	28.75 (730)	20.00 (508)	10.00 (254)	8.00 (203)	6.88 (175)	0.81 (021)	6.63 (168)
444TCZ	31.13 (791)	22.00 (559)	11.00 (279)	9.00 (229)	7.25 (184)	0.81 (021)	7.50 (191)
445TCZ	31.13 (791)	22.00 (559)	11.00 (279)	9.00 (229)	8.25 (210)	0.81 (021)	7.50 (191)
447TCZ	39.63 (1006)	22.00 (559)	11.00 (279)	9.00 (229)	10.00 (254)	0.81 (021)	7.50 (191)
449TCZ	39.63 (1006)	22.00 (559)	11.00 (279)	9.00 (229)	12.50 (318)	0.81 (021)	7.50 (191)

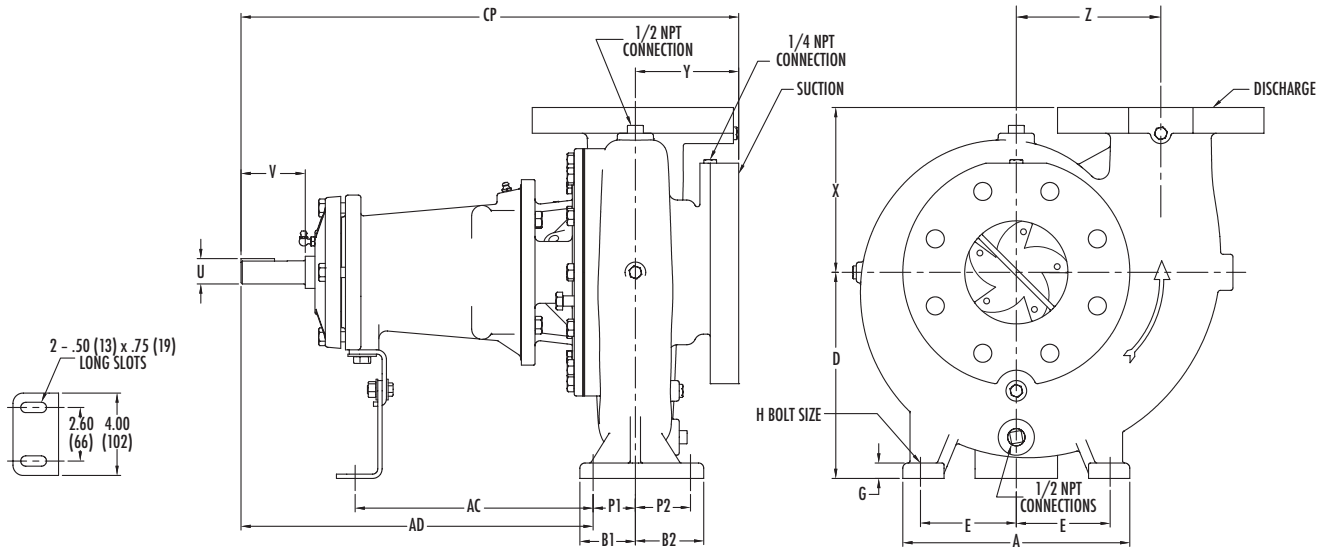
NOTES:

1. All dimensions are in inches (mm) and may vary $\pm 1/4$ (6).
2. Not for construction purposes unless certified.
3. BA dimensions may vary for different manufacturers. Reference only.
4. Conduit box is shown in approximate location. Dimensions are not specified as they may vary with each motor manufacturer.
5. There are two mounting holes on the rear foot for the noted motors.



PENTAIR AURORA® MODEL 3804 PUMPS

PUMP END ONLY



PUMP END ONLY

Pump Size	Power Frame Size	Discharge	Suction	D	X	Y	Z	P1	P2	B1	B2	G	H	E	A	AC	AD	CP	U	V	Key
1.25x1.5x7 (NPT)	S	1.25	1.5	7.00 (178)	5.00 (127)	3.25 (83)	4.50 (114)	1.63 (041)	1.38 (035)	2.63 (067)	2.38 (060)	0.63 (016)	0.44 (011)	3.25 (83)	8.00 (203)	8.35 (212)	12.93 (328)	17.81 (452)	0.88 (022)	2.13 (054)	.19(5) SO. x 1.38(35) LNG
1.25x1.5x9.5 (NPT)	S	1.25	1.5	7.00 (178)	8.00 (203)	3.25 (83)	5.5 (140)	2.44 (62)	1.94 (49)	3.06 (78)	2.56 (65)	0.63 (16)	0.50 (13)	4.56 (116)	10.38 (264)	7.71 (196)	12.27 (312)	17.96 (456)	0.88 (22)	2.13 (54)	0.19(5) SO. x 1.38(35) LNG.
1.25x1.5x9.5 (NPT)	L	1.25	1.5	7.00 (178)	8.00 (203)	3.25 (83)	5.5 (140)	2.44 (62)	1.94 (49)	3.06 (78)	2.56 (65)	0.63 (16)	0.50 (13)	4.56 (116)	10.38 (264)	10.63 (270)	16.43 (417)	22.12 (562)	1.13 (29)	3.13 (80)	0.25(6) SO. x 1.75(44) LNG.
1.5x2x7 (NPT)	S	1.5	2	7.00 (178)	6.00 (152)	3.13 (079)	4.63 (117)	1.44 (037)	1.56 (040)	2.44 (062)	2.56 (065)	0.63 (016)	0.44 (011)	3.25 (83)	8.00 (203)	9.03 (229)	13.59 (345)	18.16 (461)	0.88 (022)	2.13 (054)	.19(5) SO. x 1.38(35) LNG
1.5x2x9.5 (NPT)	S	1.5	2	7.00 (178)	6.50 (165)	3.11 (79)	5.75 (146)	2.44 (62)	1.94 (49)	3.25 (83)	2.75 (70)	0.63 (16)	0.63 (16)	4.56 (116)	10.75 (273)	7.90 (201)	12.46 (316)	18.01 (457)	0.88 (22)	2.13 (54)	0.19(5) SO. x 1.38(35) LNG.
1.5x2x9.5 (NPT)	L	1.5	2	7.00 (178)	6.50 (165)	3.11 (79)	5.75 (146)	2.44 (62)	1.94 (49)	3.25 (83)	2.75 (70)	0.63 (16)	0.63 (16)	4.56 (116)	10.75 (273)	10.81 (275)	16.62 (422)	22.17 (563)	1.13 (29)	3.13 (80)	0.25(6) SO. x 1.75(44) LNG.
1.5x2x11 (NPT)	S	1.5	2	8.00 (203)	9.00+ (229)	3.13 (079)	5.75 (146)	1.44 (037)	2.94 (075)	2.25 (057)	3.75 (095)	0.69 (017)	0.44 (011)	4.56 (116)	11.00 (279)	8.92 (227)	13.48 (342)	18.05 (458)	0.88 (022)	2.13 (054)	.19(5) SO. x 1.38(35) LNG
1.5x2x11 (NPT)	L	1.5	2	8.00 (203)	9.00+ (229)	3.13 (079)	5.75 (146)	1.44 (037)	2.94 (075)	2.25 (057)	3.75 (095)	0.69 (017)	0.44 (011)	4.56 (116)	11.00 (279)	12.19 (310)	18.62 (473)	23.19 (589)	1.13 (029)	3.13 (079)	.25(6) SO. x 1.75(44) LNG
1.5x2x12 (NPT)	S	1.5	2	10.00 (254)	7.75 (197)	2.75 (070)	5.75 (146)	1.94 (049)	2.94 (075)	2.87 (073)	3.75 (095)	0.69 (017)	0.44 (011)	4.56 (116)	11.00 (279)	8.60 (218)	13.16 (334)	17.85 (453)	0.88 (022)	2.13 (054)	.19(5) SO. x 1.38(35) LNG
2x2.5x7▲	S	2	2.5	7.00 (178)	6.50 (165)	3.50 (089)	4.75 (005)	1.56 (040)	1.44 (037)	2.56 (065)	2.44 (062)	0.63 (016)	0.44 (011)	3.25 (83)	8.00 (203)	9.08 (231)	13.63 (346)	18.70 (475)	0.88 (022)	2.13 (054)	.19(5) SO. x 1.38(35) LNG
2x2.5x9.5▲	S	2	2.5	8.00 (203)	7.00 (178)	4.00 (102)	5.88 (149)	1.56 (040)	2.81 (071)	2.38 (060)	3.63 (092)	0.69 (017)	0.44 (011)	4.56 (116)	11.00 (279)	8.94 (227)	13.50 (343)	19.07 (484)	0.88 (022)	2.13 (054)	.19(5) SO. x 1.38(35) LNG
2x2.5x9.5▲	L	2	2.5	8.00 (203)	7.00 (178)	4.00 (102)	5.88 (149)	1.56 (040)	2.81 (071)	2.38 (060)	3.63 (092)	0.69 (017)	0.44 (011)	4.56 (116)	11.00 (279)	11.85 (301)	17.69 (449)	23.22 (590)	1.13 (029)	3.13 (079)	.25(6) SO. x 1.75(44) LNG
2x3x11▲	S	2	3	10.00 (254)	8.00 (203)	5.50 (140)	6.50 (165)	2.23 (057)	2.77 (070)	3.23 (082)	3.77 (096)	0.88 (022)	0.50 (013)	7.00 (178)	16.00 (406)	7.93 (201)	12.52 (318)	20.22 (514)	0.88 (022)	2.13 (054)	.19(5) SO. x 1.38(35) LNG

S - denotes small power frame
 L - denotes large power frame
 XL - denotes extra large power frame

- NOTES:
1. Dimensions are approximate.
 2. All dimensions are in inches (mm) and may vary ± 1/4 (6).
 3. Not for construction purposes unless certified.
 4. Use Extra Large power frame with impeller diameters larger than 12.5 (318).
- ▲ Available in 250 lb./125 lb. flanges.
 • Dimensions do not match Bell & Gossett®.

PENTAIR AURORA® MODEL 3804 PUMPS

PUMP END ONLY

Pump Size	Power Frame Size	Discharge	Suction	D	X	Y	Z	P1	P2	B1	B2	G	H	E	A	AC	AD	CP	U	V	Key
2x3x11▲	L	2	3	10.00 (254)	8.00 (203)	5.50 (140)	6.50 (165)	2.23 (057)	2.77 (070)	3.23 (082)	3.77 (096)	0.88 (022)	0.50 (013)	7.00 (178)	16.00 (406)	11.06 (281)	16.87 (426)	24.59 (625)	1.13 (029)	3.13 (079)	.25(6) SO. x 1.75(44) LNG
2x3x13.5▲	L	2	3	10.00 (254)	9.00 (229)	5.50 (140)	7.25 (184)	2.00 (051)	3.00 (076)	3.00 (076)	3.00 (102)	0.88 (022)	0.50 (013)	7.00 (178)	16.00 (406)	11.34 (288)	17.25 (438)	24.65 (626)	1.13 (029)	3.13 (079)	.25(6) SO. x 1.75(44) LNG
2.5x3x7▲	S	2.5	3	7.00 (178)	6.00 (152)	4.25 (108)	4.69 (119)	1.63 (041)	1.38 (035)	2.63 (067)	2.38 (060)	0.63 (016)	0.44 (011)	3.25 (083)	8.00 (203)	8.94 (227)	13.50 (343)	19.38 (492)	0.88 (022)	2.13 (054)	.19(5) SO. x 1.38(35) LNG
2.5x3x7▲	L	2.5	3	7.00 (178)	6.00 (152)	4.25 (108)	4.69 (119)	1.63 (041)	1.38 (035)	2.63 (067)	2.38 (060)	0.63 (016)	0.44 (011)	3.25 (083)	8.00 (203)	11.81 (300)	17.69 (449)	23.49 (597)	1.13 (029)	3.13 (080)	.25(6) SO. x 1.75(44) LNG
2.5x3x9.5▲	S	2.5	3	8.00 (203)	6.75 (171)	4.00 (102)	6.00 (152)	1.63 (041)	2.75 (070)	2.44 (062)	3.56 (090)	0.69 (017)	0.44 (011)	4.56 (116)	11.00 (279)	9.03 (229)	13.62 (346)	19.22 (488)	0.88 (022)	2.13 (054)	.19(5) SO. x 1.38(35) LNG
2.5x3x9.5▲	L	2.5	3	8.00 (203)	6.75 (171)	4.00 (102)	6.00 (152)	1.63 (041)	2.75 (070)	2.44 (062)	3.56 (090)	0.69 (017)	0.44 (011)	4.56 (116)	11.00 (279)	11.93 (303)	17.75 (451)	23.37 (594)	1.13 (029)	3.13 (079)	.25(6) SO. x 1.75(44) LNG
2.5x3x13.5▲	L	2.5	3	10.00 (254)	9.00 (229)	6.00 (152)	8.00 (203)	2.00 (051)	3.00 (076)	3.00 (076)	4.00 (102)	0.88 (022)	0.50 (013)	7.00 (178)	16.00 (406)	11.47 (291)	17.28 (439)	25.28 (642)	1.13 (029)	3.13 (079)	.25(6) SO. x 1.75(44) LNG
3x4x7▲	S	3	4	7.00 (178)	6.00 (152)	4.13 (105)	5.00 (127)	1.69 (043)	1.31 (033)	2.69 (068)	2.31 (059)	0.63 (016)	0.44 (011)	3.25 (083)	8.00 (203)	8.73 (222)	13.24 (336)	19.11 (485)	0.88 (022)	2.13 (054)	.19(5) SO. x 1.38(35) LNG
3x4x7▲	L	3	4	7.00 (178)	6.00 (152)	4.13 (105)	5.00 (127)	1.69 (043)	1.31 (033)	2.69 (068)	2.31 (059)	0.63 (016)	0.44 (011)	3.25 (083)	8.00 (203)	11.60 (295)	17.43 (443)	23.22 (590)	1.13 (029)	3.13 (079)	.25(6) SO. x 1.75(44) LNG
3x4x9.5▲	S	3	4	8.00 (203)	7.50 (191)	4.75 (121)	6.13 (156)	1.81 (046)	2.56 (065)	2.69 (068)	3.31 (084)	0.75 (019)	0.44 (011)	4.56 (116)	11.00 (279)	8.54 (217)	13.19 (335)	19.72 (501)	0.88 (022)	2.13 (054)	.19(5) SO. x 1.38(35) LNG
3x4x9.5▲	L	3	4	8.00 (203)	7.50 (191)	4.75 (121)	6.13 (156)	1.81 (046)	2.56 (065)	2.69 (068)	3.31 (084)	0.75 (019)	0.44 (011)	4.56 (116)	11.00 (279)	11.50 (292)	17.32 (440)	23.87 (606)	1.13 (029)	3.13 (079)	.25(6) SO. x 1.75(44) LNG
3x4x11▲	S	3	4	10.00 (254)	9.50 (241)	5.50 (140)	7.38 (187)	2.44 (062)	2.56 (065)	3.44 (087)	3.56 (088)	0.88 (022)	0.50 (013)	7.00 (178)	16.00 (406)	7.71 (196)	12.31 (313)	20.22 (514)	0.88 (022)	2.13 (054)	.19(5) SO. x 1.38(35) LNG
3x4x11▲	L	3	4	10.00 (254)	9.50 (241)	5.50 (140)	7.38 (187)	2.44 (062)	2.56 (065)	3.44 (087)	3.56 (088)	0.88 (022)	0.50 (013)	7.00 (178)	16.00 (406)	10.84 (275)	16.69 (424)	24.59 (625)	1.13 (029)	3.13 (079)	.25(6) SO. x 1.75(44) LNG
3x4x13.5▲	L	3	4	10.00 (254)	9.50 (241)	5.63 (143)	8.00 (203)	2.13 (054)	2.88 (073)	3.13 (080)	3.88 (098)	0.88 (022)	0.50 (013)	7.00 (178)	16.00 (406)	11.28 (287)	17.12 (435)	24.84 (631)	1.13 (029)	3.13 (079)	.25(6) SO. x 1.75(44) LNG
4x5x7▲	S	4	5	8.00 (203)	7.50 (191)	4.94 (125)	5.75 (146)	2.25 (057)	2.13 (054)	3.06 (078)	2.94 (075)	0.69 (017)	0.44 (011)	4.56 (116)	11.00 (279)	8.40 (213)	12.94 (329)	20.16 (512)	0.88 (022)	2.13 (054)	.19(5) SO. x 1.38(35) LNG
4x5x7▲	L	4	5	8.00 (203)	7.50 (191)	4.94 (125)	5.75 (146)	2.25 (057)	2.13 (054)	3.06 (078)	2.94 (075)	0.69 (017)	0.44 (011)	4.56 (116)	11.00 (279)	11.28 (287)	17.06 (430)	24.28 (617)	1.13 (029)	3.13 (079)	.25(6) SO. x 1.75(44) LNG
4x5x9.5▲	S	4	5	10.00 (254)	8.00 (203)	5.00 (127)	7.00 (178)	1.88 (048)	2.50 (064)	2.69 (068)	3.31 (084)	0.75 (019)	0.44 (011)	4.56 (116)	11.00 (279)	8.52 (216)	13.12 (333)	19.97 (507)	0.88 (022)	2.13 (054)	.19(5) SO. x 1.38(35) LNG
4x5x9.5▲	L	4	5	10.00 (254)	8.00 (203)	5.00 (127)	7.00 (178)	1.88 (048)	2.50 (064)	2.69 (068)	3.31 (084)	0.75 (019)	0.44 (011)	4.56 (116)	11.00 (279)	11.43 (290)	17.25 (438)	24.12 (613)	1.13 (029)	3.13 (079)	.25(6) SO. x 1.75(44) LNG
4x5x11▲	S	4	5	10.00 (254)	9.75 (248)	5.56 (141)	7.25 (184)	2.41 (061)	2.94 (075)	3.59 (091)	3.59 (091)	0.88 (022)	0.50 (013)	7.00 (178)	16.00 (406)	7.81 (198)	12.41 (315)	20.35 (517)	0.88 (022)	2.13 (054)	.19(5) SO. x 1.38(35) LNG
4x5x11▲	L	4	5	10.00 (254)	9.75 (248)	5.56 (141)	7.25 (184)	2.41 (061)	2.94 (075)	3.59 (091)	3.59 (091)	0.88 (022)	0.50 (013)	7.00 (178)	16.00 (406)	10.94 (278)	16.78 (426)	24.72 (628)	1.13 (029)	3.13 (079)	.25(6) SO. x 1.75(44) LNG
4x5x11▲	XL	4	5	10.00 (254)	9.75 (248)	5.56 (141)	7.25 (184)	2.41 (061)	2.59 (066)	3.41 (087)	3.59 (091)	0.88 (022)	0.50 (013)	7.00 (178)	16.00 (406)	15.38 (391)	24.52 (623)	32.49 (825)	2.38 (060)	5.50 (140)	.63(16) SO. x 4.00(102) LNG
4x5x13.5▲	L	4	5	11.00 (279)	10.00 (254)	6.00 (152)	8.56 (218)	2.25 (057)	2.75 (070)	3.25 (083)	3.75 (095)	0.88 (022)	0.50 (013)	7.00 (178)	16.00 (406)	10.78 (274)	16.63 (422)	24.84 (631)	1.13 (029)	3.13 (079)	.25(6) SO. x 1.75(44) LNG
4x5x13.5▲	XL	4	5	11.00 (279)	10.00 (254)	6.00 (152)	8.56 (218)	2.25 (057)	2.75 (070)	3.25 (083)	3.75 (095)	0.88 (022)	0.50 (013)	7.00 (178)	16.00 (406)	15.25 (387)	24.38 (619)	32.63 (829)	2.38 (060)	5.50 (140)	.63(16) SO. x 4.00(102) LNG
5x6x7▲	S	5	6	10.00 (254)	8.50 (216)	5.81 (148)	6.25 (159)	2.81 (071)	1.56 (040)	3.63 (092)	2.38 (060)	0.69 (018)	0.44 (011)	4.56 (116)	11.00 (279)	8.09 (205)	12.63 (321)	21.28 (541)	0.88 (022)	2.13 (054)	.19(5) SO. x 1.38(35) LNG
5x6x7▲	L	5	6	10.00 (254)	8.50 (216)	5.81 (148)	6.25 (159)	2.81 (071)	1.56 (040)	3.63 (092)	2.38 (060)	0.69 (018)	0.44 (011)	4.56 (116)	11.00 (279)	10.97 (279)	16.76 (426)	25.39 (645)	1.13 (029)	3.13 (079)	.25(6) SO. x 1.75(44) LNG
5x6x9.5▲	S	5	6	11.00 (279)	10.00 (254)	6.00 (152)	7.50 (191)	2.19 (056)	2.81 (071)	3.19 (081)	3.81 (097)	0.88 (022)	0.50 (013)	7.00 (178)	16.00 (406)	8.59 (218)	13.19 (335)	21.34 (542)	0.88 (022)	2.13 (054)	.19(5) SO. x 1.38(35) LNG
5x6x9.5▲	L	5	6	11.00 (279)	10.00 (254)	6.00 (152)	7.50 (191)	2.19 (056)	2.81 (071)	3.19 (081)	3.81 (097)	0.88 (022)	0.50 (013)	7.00 (178)	16.00 (406)	11.50 (292)	17.31 (440)	25.50 (648)	1.13 (029)	3.13 (079)	.25(6) SO. x 1.75(44) LNG
5x6x11▲	L	5	6	11.00 (279)	10.50 (267)	5.44 (138)	7.94 (202)	2.59 (066)	2.41 (061)	3.44 (087)	3.56 (091)	0.88 (022)	0.50 (013)	7.00 (178)	16.00 (406)	10.82 (275)	16.72 (425)	24.65 (626)	1.13 (029)	3.13 (079)	.25(6) SO. x 1.75(44) LNG
5x6x13.5▲	L	5	6	12.00 (305)	13.00 (330)	6.00 (152)	9.00 (229)	4.19 (106)	4.81 (122)	5.19 (132)	5.81 (148)	1.00 (025)	0.63 (016)	10.50 (267)	23.00 (584)	9.34 (237)	15.19 (386)	25.34 (644)	1.13 (029)	3.13 (079)	.25(6) SO. x 1.75(44) LNG
6x8x9.5A*▲	L	6	8	11.00 (279)	10.50 (267)	7.00 (178)	8.25 (210)	3.13 (079)	1.88 (048)	4.13 (105)	2.88 (073)	0.88 (022)	0.50 (013)	7.00 (178)	16.00 (406)	11.06 (281)	16.93 (430)	27.00 (686)	1.13 (029)	3.13 (079)	.25(6) SO. x 1.75(44) LNG
6x8x11▲	L	6	8	12.00 (305)	11.00 (279)	6.13 (156)	8.47 (215)	4.63 (117)	4.38 (111)	5.63 (143)	5.38 (137)	1.00 (025)	0.63 (016)	10.50 (267)	23.00 (584)	9.15 (232)	15.05 (382)	25.72 (653)	1.13 (029)	3.13 (079)	.25(6) SO. x 1.75(44) LNG
6x8x13.5▲	XL	6	8	12.63- (321)	13.38- (340)	6.50 (165)	9.31 (237)	4.50 (114)	4.50 (114)	5.50 (140)	5.50 (140)	1.00 (025)	0.63 (016)	10.50 (267)	23.00 (584)	13.44 (341)	22.56 (573)	33.57 (853)	2.38 (060)	5.50 (140)	.63(16) SO. x 4.00(102) LNG
8x10x13.5*▲	XL	8	10	15.00 (381)	14.00 (356)	8.00 (203)	11.00 (279)	4.50 (114)	4.50 (114)	5.50 (140)	5.50 (140)	1.00 (025)	0.63 (016)	10.50 (267)	23.00 (584)	13.33 (339)	22.38 (568)	34.96 (888)	2.38 (060)	5.50 (140)	.63(16) SO. x 4.00(102) LNG

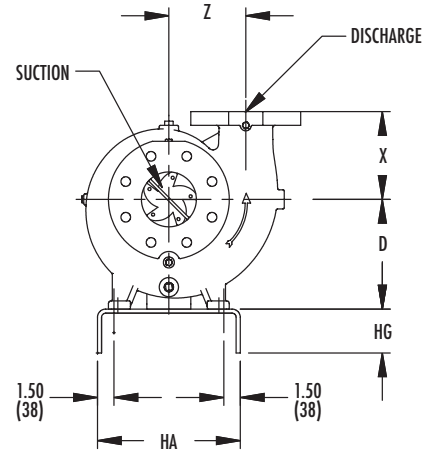
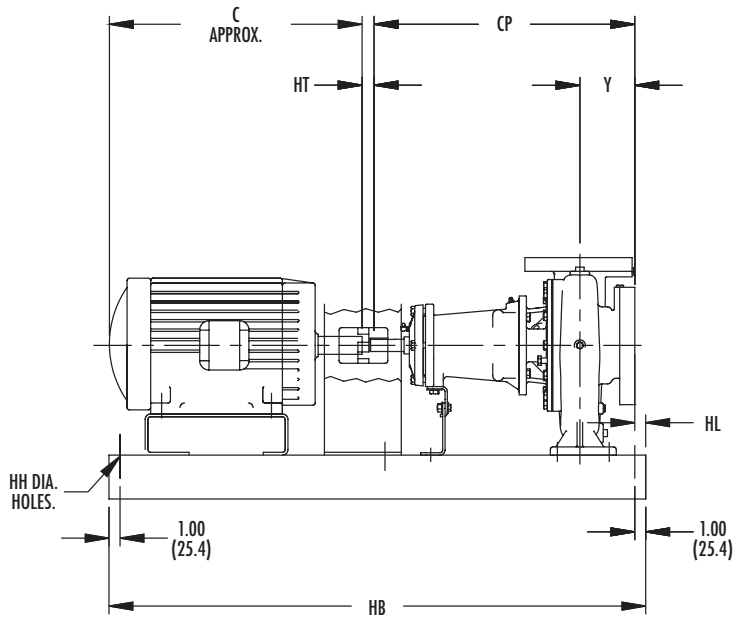
*Temporarily unavailable until further notice.

S - denotes small power frame
 L - denotes large power frame
 XL - denotes extra large power frame

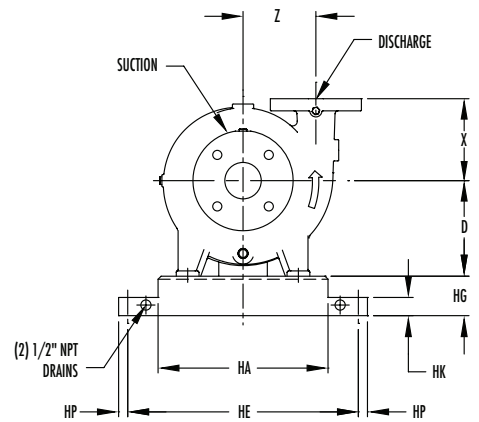
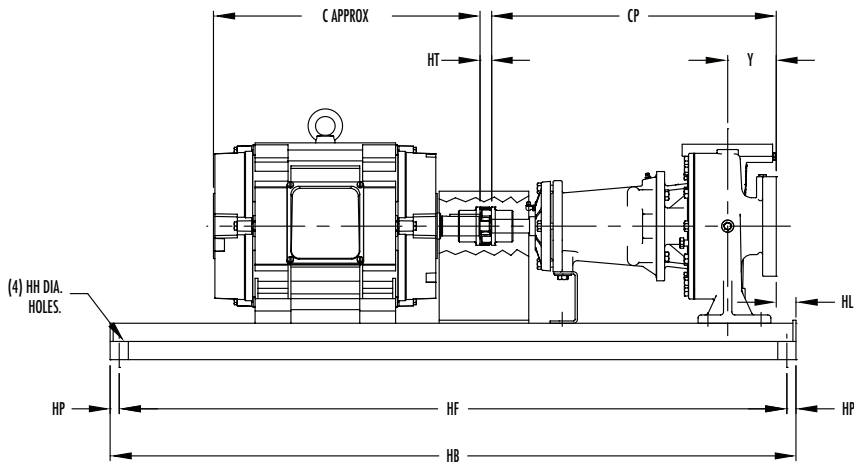
- NOTES:
- Dimensions are approximate.
 - All dimensions are in inches (mm) and may vary ± 1/4 (6).
 - Not for construction purposes unless certified.
 - Available in 250 lb./125 lb. flanges.
 - Dimensions do not match Bell & Gossett®.
 - Use Extra Large power frame with impeller diameters larger than 12.5 (318).

PENTAIR AURORA® MODEL 3804 PUMPS

WITH FORMED STEEL BASE, COUPLING AND MOTOR



WITH DRIP RIM BASE, COUPLING AND MOTOR



PENTAIR AURORA® MODEL 3804 PUMPS

WITH OPTIONAL BASE, COUPLING AND MOTOR

Pump Size	Discharge	Suction	D	X	Y	Z	CP	Motor Frame	C Approx.	HL	P.F. 1	P.F. 2	P.F. 3	P.F. 21A	Steel Base No.	Drip Rim Base No.								
1.25x1.5x7 (NPT)	1.25	1.5	7.00 (178)	5.00 (127)	3.25 (83)	4.50 (114)	17.81 (452)	56	12.00 (305)	1.00 (25)	X				1	4								
								143T	13.00 (330)	1.00 (25)	X				2	5								
								145T	14.00 (356)	1.00 (25)	XXX				2	5								
								182T	15.00 (381)	1.00 (25)	XX				2	5								
								184T	15.00 (381)	1.00 (25)	XX				2	5								
								213T	18.00 (457)	1.00 (25)	XX				3	6								
								215T	19.00 (483)	1.00 (25)	XX				3	6								
								254T	24.00 (610)	1.00 (25)	XX				4	8								
1.25x1.5x9.5 (NPT)	1.25 (32)	1.5 (38)	7.00 (178)	8.00 (203)	3.25 (83)	5.50 (140)	17.96 (456)	143T	13.00 (330)	1.00 (25)	X				2	5								
								145T	14.00 (356)	1.00 (25)	X				2	5								
								182T	15.00 (381)	1.00 (25)	X				3	6								
								184T	15.00 (381)	1.00 (25)	X				3	6								
								213T	18.00 (457)	1.00 (25)		00			5	9								
								215T	19.00 (483)	1.00 (25)		00			5	9								
							22.12 (562)	254T	24.00 (610)	1.00 (25)		XX			6	9								
								256T	25.00 (635)	1.00 (25)		XX			6	9								
								284T	27.00 (686)	1.00 (25)		XX			7	10								
								284TS	25.00 (635)	1.00 (25)		XX			7	10								
								286T	28.00 (711)	1.00 (25)		XX			7	10								
								286TS	26.00 (660)	1.00 (25)		XX			7	10								
								324T	29.00 (737)	1.00 (25)		XX			12	12								
								324TS	28.00 (711)	1.00 (25)		XX			12	12								
1.5x2x7 (NPT)	1.5	2	7.00 (178)	6.00 (152)	3.13 (80)	4.63 (118)	18.16 (461)	56	12.00 (305)	1.00 (25)	X				1	4								
								143T	13.00 (330)	1.00 (25)	XXX				2	5								
								145T	14.00 (356)	1.00 (25)	XXX				2	5								
								182T	15.00 (381)	1.00 (25)	XX				2	5								
								184T	15.00 (381)	1.00 (25)	XX				2	5								
								213T	18.00 (457)	1.00 (25)	XX				3	6								
								215T	19.00 (483)	1.00 (25)	XX				3	6								
								254T	24.00 (610)	1.00 (25)	XX				4	8								
								1.5x2x9.5 (NPT)	1.5 (38)	2 (51)	7.00 (178)	6.50 (165)	3.11 (79)	5.75 (146)	18.01 (457)	145T	14.00 (356)	1.00 (25)	X				2	5
																182T	15.00 (381)	1.00 (25)	X				3	6
184T	15.00 (381)	1.00 (25)	X				3									6								
213T	18.00 (457)	1.00 (25)	X				3									6								
22.17 (563)	215T	19.00 (483)	1.00 (25)		00										5	9								
	254T	24.00 (610)	1.00 (25)		00										6	9								
	256T	25.00 (635)	1.00 (25)		XX										6	9								
	284T	27.00 (686)	1.00 (25)		XX										7	10								
	284TS	25.00 (635)	1.00 (25)		XX										7	10								
	286T	28.00 (711)	1.00 (25)		XX										7	10								
	286TS	26.00 (660)	1.00 (25)		XX										7	10								
	324T	29.00 (737)	1.00 (25)		XX										12	12								
	324TS	28.00 (711)	1.00 (25)		XX										12	12								
	326T	31.00 (787)	1.00 (25)		XX										12	12								
326TS	29.00 (737)	1.00 (25)		XX			12	12																
1.5x2x11 (NPT)	1.5	2	8.00 (203)	9.00 (229)	3.13 (80)	5.75 (146)	18.05 (458)	143T	13.00 (330)	2.50 (64)	X				2	5								
								145T	14.00 (356)	2.50 (64)	X				2	5								
								182T	15.00 (381)	2.50 (64)	X				3	6								
								184T	15.00 (381)	2.50 (64)	X				3	6								
								213T	18.00 (457)	2.50 (64)	X				3	6								
								213T	18.00 (457)	2.50 (64)		XX			5	9								
							23.19 (589)	215T	19.00 (483)	2.50 (64)		XX			5	9								
								254T	24.00 (610)	2.50 (64)		XX			6	9								
								256T	25.00 (635)	2.50 (64)		XX			6	9								
								284T	27.00 (686)	2.50 (64)		XX			7	10								
								284TS	25.00 (635)	2.50 (64)		XX			7	10								
								286T	28.00 (711)	2.50 (64)		XX			7	10								
								286TS	26.00 (660)	2.50 (64)		XX			7	10								
								324T	29.00 (737)	2.50 (64)		XX			12	12								
								324TS	28.00 (711)	2.50 (64)		XX			12	12								
								326T	31.00 (787)	2.50 (64)		XX			12	12								
								326TS	29.00 (737)	2.50 (64)		XX			12	12								
								1.5x2x12 (NPT)	1.5	2	10.00 (254)	7.75 (197)	2.75 (70)	5.75 (146)	17.85 (453)	182T	15.00 (381)	3.00 (76)	X				3	6
																184T	15.00 (381)	3.00 (76)	X				3	6
																213T	18.00 (457)	3.00 (76)	X				4	8
215T	19.00 (483)	3.00 (76)	X				4									8								
254T	24.00 (610)	3.00 (76)	X				5									9								

NOTES:

- Dimensions are approximate.
- All dimensions are in inches (mm) and may vary ± 1/4 (6).
- Conduit box is shown in approximate position. Dimensions are not specified as they vary with each motor manufacturer.

- Not for construction purposes unless certified.
- ▲ Available in 250 lb./125 lb. flanges.
- X - for 1750 RPM applications
XX - for 3550 RPM applications
XXX - for 1750 and 3550 RPM applications

- HT is based on Aurora standard coupling. HT may vary from .25 to 3.25".
- 00 - 2950 RPM operation only.

PENTAIR AURORA® MODEL 3804 PUMPS

WITH OPTIONAL BASE, COUPLING AND MOTOR

Pump Size	Discharge	Suction	D	X	Y	Z	CP	Motor Frame	C Approx.	HL	P.F. 1	P.F. 2	P.F. 3	P.F. 21A	Steel Base No.	Drip Rim Base No.
2x2.5x7A▲	2	2.5	7.00 (178)	6.50 (165)	3.50 (89)	4.75 (121)	18.70 (475)	143T	13.00 (330)	1.00 (25)	X				2	5
								145T	14.00 (356)	1.00 (25)	X				2	5
								182T	15.00 (381)	1.00 (25)	XXX				3	6
								184T	15.00 (381)	1.00 (25)	XX				3	6
								213T	18.00 (457)	1.00 (25)	XX				3	6
								215T	19.00 (483)	1.00 (25)	XX				3	6
								254T	24.00 (610)	1.00 (25)	XX				5	9
								256T	25.00 (635)	1.00 (25)	XX				5	9
2x2.5x9.5▲	2	2.5	8.00 (203)	7.00 (178)	4.00 (102)	5.88 (149)	19.07 (484)	145T	14.00 (356)	1.50 (38)	X				2	5
								182T	15.00 (381)	1.50 (38)	X				3	6
								184T	15.00 (381)	1.50 (38)	X				3	6
								213T	18.00 (457)	1.50 (38)	X				3	6
								215T	19.00 (483)	1.50 (38)			XX		5	9
								254T	24.00 (610)	1.50 (38)			XX		6	9
								256T	25.00 (635)	1.50 (38)			XX		6	9
								284T	27.00 (686)	1.50 (38)			XX		7	10
								284TS	25.00 (635)	1.50 (38)			XX		7	10
			286T	28.00 (711)	1.50 (38)			XX		7	10					
			23.22 (590)	286TS	26.00 (660)	1.50 (38)			XX		7	10				
				324T	29.00 (737)	1.50 (38)			XX		12	12				
				324TS	28.00 (711)	1.50 (38)			XX		12	12				
				326T	31.00 (787)	1.50 (38)			XX		12	12				
				326TS	29.00 (737)	1.50 (38)			XX		12	12				
				364TS	31.00 (787)	1.50 (38)			XX		14	16				
				20.22 (514)	182T	15.00 (381)	1.00 (25)	X				8	11			
					184T	15.00 (381)	1.00 (25)	X				8	11			
213T	18.00 (457)	1.00 (25)			X				9	11						
215T	19.00 (483)	1.00 (25)	X					9	11							
254T	24.00 (610)	1.00 (25)	X					10	11							
24.59 (625)	284T	27.00 (686)	1.00 (25)				XX		12	12						
	284TS	25.00 (635)	1.00 (25)				XX		12	12						
	286T	28.00 (711)	1.00 (25)				XX		12	12						
	286TS	26.00 (660)	1.00 (25)				XX		12	12						
	324T	29.00 (737)	1.00 (25)				XX		12	12						
	324TS	28.00 (711)	1.00 (25)				XX		12	12						
	326T	31.00 (787)	1.00 (25)				XX		12	12						
	326TS	29.00 (737)	1.00 (25)			XX		12	12							
	364TS	31.00 (787)	1.00 (25)			XX		14	16							
	365TS	32.00 (813)	1.00 (25)			XX		14	16							
404TS	34.00 (864)	1.00 (25)			XX		15	16								
444TS	41.00 (1041)	1.00 (25)			XX		18	21								
2x3x11▲	2	3	10.00 (254)	8.00 (203)	5.50 (140)	6.50 (165)	20.22 (514)	182T	15.00 (381)	1.00 (25)	X				8	11
								184T	15.00 (381)	1.00 (25)	X				8	11
								213T	18.00 (457)	1.00 (25)	X				9	11
								215T	19.00 (483)	1.00 (25)	X				9	11
								254T	24.00 (610)	1.00 (25)	X				10	11
								284T	27.00 (686)	1.00 (25)			XX		12	12
								284TS	25.00 (635)	1.00 (25)			XX		12	12
								286T	28.00 (711)	1.00 (25)			XX		12	12
286TS	26.00 (660)	1.00 (25)			XX		12	12								
324T	29.00 (737)	1.00 (25)			XX		12	12								
324TS	28.00 (711)	1.00 (25)			XX		12	12								
326T	31.00 (787)	1.00 (25)			XX		12	12								
326TS	29.00 (737)	1.00 (25)			XX		12	12								
364TS	31.00 (787)	1.00 (25)			XX		14	16								
365TS	32.00 (813)	1.00 (25)			XX		14	16								
404TS	34.00 (864)	1.00 (25)			XX		15	16								
405TS	36.00 (914)	1.00 (25)			XX		15	16								
444TS	41.00 (1041)	1.00 (25)			XX		18	21								
2x3x13.5▲	2	3	10.00 (254)	9.00 (229)	5.50 (140)	7.25 (184)	24.65 (626)	184T	15.00 (381)	1.00 (25)			X		10	11
								213T	18.00 (457)	1.00 (25)			X		10	11
								215T	19.00 (483)	1.00 (25)			X		10	11
								254T	24.00 (610)	1.00 (25)			X		11	12
								256T	25.00 (635)	1.00 (25)			X		11	12
								284T	27.00 (686)	1.00 (25)			X		11	12
								284TS	25.00 (635)	1.00 (25)			X		11	12
								19.38 (492)	143T	13.00 (330)	1.00 (25)	X				2
145T	14.00 (356)	1.00 (25)	X				2		5							
182T	15.00 (381)	1.00 (25)	XXX				3		6							
184T	15.00 (381)	1.00 (25)	XXX				3		6							
213T	18.00 (457)	1.00 (25)	XX				3		6							
215T	19.00 (483)	1.00 (25)	XX				3		6							
23.49 (597)	254T	24.00 (610)	1.00 (25)			XX			6	9						
	256T	25.00 (635)	1.00 (25)			XX			6	9						
	284T	27.00 (686)	1.00 (25)			XX			11	12						
	284TS	25.00 (635)	1.00 (25)			XX			11	12						
	286T	28.00 (711)	1.00 (25)			XX			11	12						
	286TS	26.00 (660)	1.00 (25)			XX			11	12						

NOTES:

- Dimensions are approximate.
- All dimensions are in inches (mm) and may vary ± 1/4 (6).
- Conduit box is shown in approximate position. Dimensions are not specified as they vary with each motor manufacturer.
- Not for construction purposes unless certified.
- ▲ Available in 250 lb./125 lb. flanges.
- X - for 1750 RPM applications
XX - for 3550 RPM applications
XXX - for 1750 and 3550 RPM applications
- HT is based on Aurora standard coupling.
HT may vary from .25 to 3.25".
- 00 - 2950 RPM operation only.

PENTAIR AURORA® MODEL 3804 PUMPS

WITH OPTIONAL BASE, COUPLING AND MOTOR

Pump Size	Discharge	Suction	D	X	Y	Z	CP	Motor Frame	C Approx.	HL	P.F. 1	P.F. 2	P.F. 3	P.F. 21A	Steel Base No.	Drip Rim Base No.			
2.5x3x9.5▲	2.5	3	8.00 (203)	6.75 (171)	4.00 (102)	6.00 (152)	19.22 (488)	182T	15.00 (381)	1.50 (38)	X				3	6			
								184T	15.00 (381)	1.50 (38)	X				3	6			
								213T	18.00 (457)	1.50 (38)	X				3	6			
								215T	19.00 (483)	1.50 (38)	X				4	8			
								254T	24.00 (610)	1.50 (38)	X				5	9			
								254T	24.00 (610)	1.50 (38)			XX		6	9			
								256T	25.00 (635)	1.50 (38)			XX		6	9			
								284T	27.00 (686)	1.50 (38)			XX		7	10			
								284TS	25.00 (635)	1.50 (38)			XX		7	10			
								286T	28.00 (711)	1.50 (38)			XX		7	10			
			286TS	26.00 (660)	1.50 (38)			XX		7	10								
			23.37 (594)	324T	29.00 (737)	1.50 (38)			XX		12	12							
				324TS	28.00 (711)	1.50 (38)			XX		12	12							
				326T	31.00 (787)	1.50 (38)			XX		12	12							
				326TS	29.00 (737)	1.50 (38)			XX		12	12							
				364TS	31.00 (787)	1.50 (38)			XX		14	16							
				365TS	32.00 (813)	1.50 (38)			XX		14	16							
				404TS	34.00 (864)	1.50 (38)			XX		14	16							
				405TS	36.00 (914)	1.50 (38)			XX		14	16							
				2.5x3x13.5▲	2.5	3	10.00 (254)	9.00 (229)	6.00 (152)	8.00 (203)	25.28 (642)	184T	15.00 (381)	1.00 (25)			X		10
213T	18.00 (457)	1.00 (25)												X		10	11		
215T	19.00 (483)	1.00 (25)											X		10	11			
254T	24.00 (610)	1.00 (25)											X		11	12			
256T	25.00 (635)	1.00 (25)											X		11	12			
284T	27.00 (686)	1.00 (25)											X		11	12			
284TS	25.00 (635)	1.00 (25)											X		11	12			
286T	28.00 (711)	1.00 (25)											X		12	12			
286TS	26.00 (660)	1.00 (25)											X		12	12			
3x4x7A▲	3	4	7.00 (178)									6.00 (152)	4.13 (105)	5.00 (127)	19.11 (485)	143T	13.00 (330)	1.00 (25)	X
				145T	14.00 (356)	1.00 (25)	X				2					5			
				182T	15.00 (381)	1.00 (25)	X				3					6			
				184T	15.00 (381)	1.00 (25)	X				3					6			
				213T	18.00 (457)	1.00 (25)	X				3					6			
				23.22 (590)	213T	18.00 (457)	1.00 (25)			XX						5	9		
					215T	19.00 (483)	1.00 (25)			XX						5	9		
					254T	24.00 (610)	1.00 (25)			XX						6	9		
					256T	25.00 (635)	1.00 (25)			XX						6	9		
					284T	27.00 (686)	1.00 (25)			XX						11	12		
			284TS		25.00 (635)	1.00 (25)			XX		11	12							
			286T		28.00 (711)	1.00 (25)			XX		11	12							
			286TS		26.00 (660)	1.00 (25)			XX		11	12							
			324T		29.00 (737)	1.00 (25)			XX		12	12							
			324TS		28.00 (711)	1.00 (25)			XX		12	12							
			3x4x9.5▲	3	4	8.00 (203)	7.50 (191)	4.75 (121)	6.13 (156)	19.72 (501)	182T	15.00 (381)	1.00 (25)	X				3	6
											184T	15.00 (381)	1.00 (25)	X				3	6
											213T	18.00 (457)	1.00 (25)	X				3	6
											215T	19.00 (483)	1.00 (25)	X				4	8
											254T	24.00 (610)	1.00 (25)	X				5	9
23.87 (606)	286TS	26.00 (660)									1.00 (25)			XX		7	10		
	324T	29.00 (737)									1.00 (25)			XX		12	12		
	324TS	28.00 (711)									1.00 (25)			XX		12	12		
	326T	31.00 (787)									1.00 (25)			XX		12	12		
	326TS	29.00 (737)									1.00 (25)			XX		12	12		
	364TS	31.00 (787)				1.00 (25)			XX		14	16							
	365TS	32.00 (813)				1.00 (25)			XX		14	16							
	404TS	34.00 (864)				1.00 (25)			XX		14	16							
	405TS	36.00 (914)				1.00 (25)			XX		14	16							
	444TS	41.00 (1041)				1.00 (25)			XX		15	16							
445T	46.00 (1168)	1.00 (25)						XX		20	17								
445TS	42.00 (1067)	1.00 (25)						XX		15	16								

NOTES:

- Dimensions are approximate.
- All dimensions are in inches (mm) and may vary ± 1/4 (6).
- Conduit box is shown in approximate position. Dimensions are not specified as they vary with each motor manufacturer.
- Not for construction purposes unless certified.
- ▲ Available in 250 lb./125 lb. flanges.
- X - for 1750 RPM applications
XX - for 3550 RPM applications
XXX - for 1750 and 3550 RPM applications
- HT is based on Aurora standard coupling.
HT may vary from .25 to 3.25".
- 00 - 2950 RPM operation only.

PENTAIR AURORA® MODEL 3804 PUMPS

WITH OPTIONAL BASE, COUPLING AND MOTOR

Pump Size	Discharge	Suction	D	X	Y	Z	CP	Motor Frame	C Approx.	HL	P.F. 1	P.F. 2	P.F. 3	P.F. 21A	Steel Base No.	Drip Rim Base No.			
3x4x11▲	3	4	10.00 (254)	9.50 (241)	5.50 (140)	7.38 (187)	20.22 (514)	184T	15.00(381)	1.00(25)	X				8	11			
								213T	18.00(457)	1.00(25)	X		9	11					
								215T	19.00(483)	1.00(25)	X		9	11					
								254T	24.00(610)	1.00(25)	X		10	11					
								256T	25.00(635)	1.00(25)	X		10	11					
								284TS	25.00(635)	1.00(25)		XX	12	12					
								286T	28.00(711)	1.00(25)		XX	12	12					
								286TS	26.00(660)	1.00(25)		XX	12	12					
								324T	29.00(737)	1.00(25)		XX	12	12					
								324TS	28.00(711)	1.00(25)		XX	12	12					
			326T	31.00(787)	1.00(25)		XX	12	12										
			326TS	29.00(737)	1.00(25)		XX	12	12										
			364TS	31.00(787)	1.00(25)		XX	14	16										
			365TS	32.00(813)	1.00(25)		XX	14	16										
			404TS	34.00(864)	1.00(25)		XX	15	16										
			405TS	36.00(914)	1.00(25)		XX	15	16										
			444TS	41.00(1041)	1.00(25)		XX	18	21										
			445T	46.00(1168)	1.00(25)		XX	18	21										
			445TS	42.00(1067)	1.00(25)		XX	18	21										
			3x4x13.5▲	3	4	10.00 (254)	9.50 (241)	5.63 (143)	8.00 (203)	24.84 (631)	213T	18.00(457)	1.00(25)		X			10	11
215T	19.00(483)	1.00(25)										X	10	11					
254T	24.00(610)	1.00(25)										X	11	12					
256T	25.00(635)	1.00(25)										X	11	12					
284T	27.00(686)	1.00(25)										X	12	12					
284TS	25.00(635)	1.00(25)										X	12	12					
286T	28.00(711)	1.00(25)										X	12	12					
286TS	26.00(660)	1.00(25)										X	12	12					
324T	29.00(737)	1.00(25)										X	12	12					
324TS	28.00(711)	1.00(25)										X	12	12					
364TS	31.00(787)	1.00(25)						00	14	16									
365TS	32.00(813)	1.00(25)						00	14	16									
404TS	34.00(864)	1.00(25)						00	15	16									
405TS	36.00(914)	1.00(25)						00	15	16									
444TS	41.00(1041)	1.00(25)						00	18	21									
445T	46.00(1168)	1.00(25)						00	18	21									
445TS	42.00(1067)	1.00(25)						00	18	21									
447T	52.00(1321)	1.00(25)						00	19	21									
447TS	49.00(1245)	1.00(25)						00	19	21									
4x5x7A*▲	4	5				8.00 (203)	7.50 (191)	4.94 (125)	5.75 (146)	20.16 (512)	145T	14.00(356)	1.00(25)	X				2	5
			182T	15.00(381)	1.00(25)						X		3	6					
			184T	15.00(381)	1.00(25)						X		3	6					
			213T	18.00(457)	1.00(25)						X		3	6					
			215T	19.00(483)	1.00(25)						X		4	8					
			215T	19.00(483)	1.00(25)							XX	5	9					
			254T	24.00(610)	1.00(25)							XX	6	9					
			256T	25.00(635)	1.00(25)							XX	6	9					
			284T	27.00(686)	1.00(25)							XX	7	10					
			284TS	25.00(635)	1.00(25)							XX	7	10					
			286T	28.00(711)	1.00(25)		XX	7	10										
			286TS	26.00(660)	1.00(25)		XX	7	10										
			324T	29.00(737)	1.00(25)		XX	12	12										
			324TS	28.00(711)	1.00(25)		XX	12	12										
			326T	31.00(787)	1.00(25)		XX	12	12										
			326TS	29.00(737)	1.00(25)		XX	12	12										
			364TS	31.00(787)	1.00(25)		XX	14	16										
			365TS	32.00(813)	1.00(25)		XX	14	16										
			4x5x7A*▲	4	5	9.00 (229)													

*Temporarily unavailable until further notice.

NOTES:

- Dimensions are approximate.
- All dimensions are in inches (mm) and may vary ± 1/4 (6).
- Conduit box is shown in approximate position. Dimensions are not specified as they vary with each motor manufacturer.
- Not for construction purposes unless certified.
- ▲ Available in 250 lb./125 lb. flanges.
- X - for 1750 RPM applications
XX - for 3550 RPM applications
XXX - for 1750 and 3550 RPM applications
- HT is based on Aurora standard coupling.
HT may vary from .25 to 3.25".
- 00 - 2950 RPM operation only.

PENTAIR AURORA® MODEL 3804 PUMPS

WITH OPTIONAL BASE, COUPLING AND MOTOR

Pump Size	Discharge	Suction	D	X	Y	Z	CP	Motor Frame	C Approx.	HL	P.F. 1	P.F. 2	P.F. 3	P.F. 21A	Steel Base No.	Drip Rim Base No.	
4x5x9.5▲	4	5	10.00 (254)	8.00 (203)	5.00 (127)	7.00 (178)	19.97 (507)	213T	18.00 (457)	1.00 (25)	X				4	8	
								215T	19.00 (483)	1.00 (25)	X			4	8		
								254T	24.00 (610)	1.00 (25)	X			5	9		
								256T	25.00 (635)	1.00 (25)	X			5	9		
								284TS	25.00 (635)	1.00 (25)		XX		12	12		
							24.12 (613)	286T	28.00 (711)	1.00 (25)		XX		12	12		
								286TS	26.00 (660)	1.00 (25)		XX		12	12		
								324T	29.00 (737)	1.00 (25)		XX		12	12		
								324TS	28.00 (711)	1.00 (25)		XX		12	12		
								326T	31.00 (787)	1.00 (25)		XX		12	12		
			326TS	29.00 (737)	1.00 (25)			XX		12	12						
			364TS	31.00 (787)	1.00 (25)			XX		14	16						
			365TS	32.00 (813)	1.00 (25)			XX		14	16						
			404TS	34.00 (864)	1.00 (25)			XX		15	16						
			405TS	36.00 (914)	1.00 (25)			XX		15	16						
			11.00 (279)	444TS	41.00 (1041)	1.00 (25)		XX		18	21						
				445T	46.00 (1168)	1.00 (25)		XX		18	21						
				445TS	42.00 (1067)	1.00 (25)		XX		18	21						
				447T	52.00 (1321)	1.00 (25)		XX		19	21						
				447TS	49.00 (1245)	1.00 (25)		XX		19	21						
4x5x11A▲	4	5		10.00 (254)	9.75 (248)	5.56 (141)	7.25 (184)	20.35 (517)	213T	18.00 (457)	1.00 (25)	X				9	11
									215T	19.00 (483)	1.00 (25)	X			9	11	
									254T	24.00 (610)	1.00 (25)	X			10	11	
									256T	25.00 (635)	1.00 (25)		X		11	12	
									284T	27.00 (686)	1.00 (25)		X		12	12	
			24.72 (628)					284TS	25.00 (635)	1.00 (25)		X		12	12		
								286T	28.00 (711)	1.00 (25)		X		12	12		
								286TS	26.00 (660)	1.00 (25)		X	00	12	12		
								324T	29.00 (737)	1.00 (25)		X	00	12	12		
								324TS	28.00 (711)	1.00 (25)		X	00	12	12		
				326T	31.00 (787)	1.00 (25)			00	12	12						
				326TS	29.00 (737)	1.00 (25)			00	12	12						
				364TS	31.00 (787)	1.00 (25)			00	14	16						
				365TS	32.00 (813)	1.00 (25)			00	14	16						
				404TS	34.00 (864)	1.00 (25)			00	15	16						
			11.00 (279)	405TS	36.00 (914)	1.00 (25)			00	15	16						
				444TS	41.00 (1041)	1.00 (25)			00	18	21						
				445T	46.00 (1168)	1.00 (25)			00	18	21						
				445TS	42.00 (1067)	1.00 (25)			00	18	21						
				447T	52.00 (1321)	1.00 (25)			00	19	21						
447TS	49.00 (1245)	1.00 (25)				00	19	21									
10.00 (254)	364TS	31.00 (787)		1.00 (25)				XX	15	16							
	365TS	32.00 (813)		1.00 (25)				XX	15	16							
	404TS	34.00 (864)		1.00 (25)				XX	18	21							
	405TS	36.00 (914)		1.00 (25)				XX	18	21							
	444TS	41.00 (1041)	1.00 (25)				XX	19	21								
	445T	46.00 (1168)	1.00 (25)				XX	19	21								
	445TS	42.00 (1067)	1.00 (25)				XX	19	21								
	447T	52.00 (1321)	1.00 (25)				XX	23	23								
	447TS	49.00 (1245)	1.00 (25)				XX	23	23								
	4x5x13.5▲	4	5	11.00 (279)	10.00 (254)	6.00 (152)	8.56 (217)	24.84 (631)	254T	24.00 (610)	1.00 (25)			X		11	12
256T									25.00 (635)	1.00 (25)			X		11	12	
284T									27.00 (686)	1.00 (25)			X		12	12	
284TS									25.00 (635)	1.00 (25)			X		12	12	
286T									28.00 (711)	1.00 (25)			X		12	12	
32.63 (829)								286TS	26.00 (660)	1.00 (25)			X		12	12	
								324T	29.00 (737)	1.00 (25)			X		12	12	
								324TS	28.00 (711)	1.00 (25)			X		12	12	
								326T	31.00 (787)	1.00 (25)			X		12	12	
								326TS	29.00 (737)	1.00 (25)			X		12	12	
364TS				31.00 (787)	1.00 (25)			X		14	16						
11.00 (279)				365TS	32.00 (813)	1.00 (25)				00	15	16					
				404TS	34.00 (864)	1.00 (25)				00	18	21					
				405TS	36.00 (914)	1.00 (25)				00	18	21					
				444TS	41.00 (1041)	1.00 (25)				00	19	21					
				445T	46.00 (1168)	1.00 (25)				00	19	21					
				445TS	42.00 (1067)	1.00 (25)				00	19	21					
				447T	52.00 (1321)	1.00 (25)				00	23	23					
				447TS	49.00 (1245)	1.00 (25)				00	23	23					
				449TS	49.00 (1245)	1.00 (25)				00	23	23					

PENTAIR AURORA® MODEL 3804 PUMPS

WITH OPTIONAL BASE, COUPLING AND MOTOR

Pump Size	Discharge	Suction	D	X	Y	Z	CP	Motor Frame	C Approx.	HL	P.F. 1	P.F. 2	P.F. 3	P.F. 21A	Steel Base No.	Drip Rim Base No.					
5x6x7A▲	5	6	10.00 (254)	8.50 (216)	5.81 (148)	6.25 (159)	21.28 (541)	182T	15.00 (381)	1.00 (25)	X				3	6					
								184T	15.00 (381)	1.00 (25)	X				3	6					
							25.39 (645)	213T	18.00 (457)	1.00 (25)		X								10	11
								215T	19.00 (483)	1.00 (25)		X								10	11
								254T	24.00 (610)	1.00 (25)			XX							11	12
								256T	25.00 (635)	1.00 (25)			XX							11	12
								284T	27.00 (686)	1.00 (25)			XX							12	12
								284TS	25.00 (635)	1.00 (25)			XX							12	12
								286T	28.00 (711)	1.00 (25)			XX							12	12
								286TS	26.00 (660)	1.00 (25)			XX							12	12
								324T	29.00 (737)	1.00 (25)			XX							13	13
								324TS	28.00 (711)	1.00 (25)			XX							13	13
								326T	31.00 (787)	1.00 (25)			XX							13	13
								326TS	29.00 (737)	1.00 (25)			XX							13	13
								364TS	31.00 (787)	1.00 (25)			XX							14	16
								365TS	32.00 (813)	1.00 (25)			XX							14	16
5x6x9.5A▲	5	6	11.00 (279)	10.00 (254)	6.00 (152)	7.50 (191)	21.34 (542)	213T	18.00 (457)	1.00 (25)	X				9	11					
								215T	19.00 (483)	1.00 (25)	X				9	11					
							25.50 (648)	254T	24.00 (610)	1.00 (25)		X								10	11
								256T	25.00 (635)	1.00 (25)			X							11	12
								284T	27.00 (686)	1.00 (25)			X							12	12
								284TS	25.00 (635)	1.00 (25)			X							12	12
								286T	28.00 (711)	1.00 (25)			X							12	12
								286TS	26.00 (660)	1.00 (25)			X							12	12
								324TS	28.00 (711)	1.00 (25)				00						13	13
								326T	31.00 (787)	1.00 (25)				00						13	13
								326TS	29.00 (737)	1.00 (25)				00						13	13
								364TS	31.00 (787)	1.00 (25)				00						14	16
								365TS	32.00 (813)	1.00 (25)				00						14	16
								404TS	34.00 (864)	1.00 (25)				00						15	16
								405TS	36.00 (914)	1.00 (25)				00						15	16
								444TS	41.00 (1041)	1.00 (25)				00						18	21
445T	46.00 (1168)	1.00 (25)				00						18	21								
445TS	42.00 (1067)	1.00 (25)				00						18	21								
5x6x11▲	5	6	11.00 (279)	10.50 (267)	5.44 (138)	7.94 (202)	24.65 (626)	254T	24.00 (610)	1.00 (25)		X			11	12					
								256T	25.00 (635)	1.00 (25)		X			11	12					
							24.65 (626)	284T	27.00 (686)	1.00 (25)		X			12	12					
								284TS	25.00 (635)	1.00 (25)		X			12	12					
								286T	28.00 (711)	1.00 (25)		X			12	12					
								286TS	26.00 (660)	1.00 (25)		X			12	12					
								324T	29.00 (737)	1.00 (25)		X			12	12					
								324TS	28.00 (711)	1.00 (25)		X			12	12					
								326T	31.00 (787)	1.00 (25)		X			12	12					
								326TS	29.00 (737)	1.00 (25)		X			12	12					
								365TS	32.00 (813)	1.00 (25)			00		14	16					
								404TS	34.00 (864)	1.00 (25)			00		15	16					
								405TS	36.00 (914)	1.00 (25)			00		15	16					
								444TS	41.00 (1041)	1.00 (25)			00		18	21					
								445T	46.00 (1168)	1.00 (25)			00		18	21					
								445TS	42.00 (1067)	1.00 (25)			00		18	21					
447T	52.00 (1321)	1.00 (25)			00		19	21													
447TS	49.00 (1245)	1.00 (25)			00		19	21													
449TS	49.00 (1245)	1.00 (25)			00		19	21													

NOTES:

- Dimensions are approximate.
- All dimensions are in inches (mm) and may vary ± 1/4 (6).
- Conduit box is shown in approximate position. Dimensions are not specified as they vary with each motor manufacturer.
- Not for construction purposes unless certified.
- ▲ Available in 250 lb./125 lb. flanges.
- X - for 1750 RPM applications
XX - for 3550 RPM applications
XXX - for 1750 and 3550 RPM applications
- HT is based on Aurora standard coupling.
HT may vary from .25 to 3.25".
- 00 - 2950 RPM operation only.

PENTAIR AURORA® MODEL 3804 PUMPS

WITH OPTIONAL BASE, COUPLING AND MOTOR

Pump Size	Discharge	Suction	D	X	Y	Z	CP	Motor Frame	C Approx.	HL	P.F. 1	P.F. 2	P.F. 3	P.F. 21A	Steel Base No.	Drip Rim Base No.								
5x6x13.5▲	5	6	12.00 (305)	13.00 (330)	6.00 (152)	9.00 (229)	25.34 (644)	256T	25.00(635)	2.00(51)			X		16	22								
								284T	27.00(686)	2.00(51)		X		16	22									
								284TS	25.00(635)	2.00(51)		X		16	22									
								286T	28.00(711)	2.00(51)			X	16	22									
								286TS	26.00(660)	2.00(51)		X		16	22									
								324T	29.00(737)	2.00(51)		X		17	21									
								324TS	28.00(711)	2.00(51)		X		17	21									
								326T	31.00(787)	2.00(51)		X		17	21									
								326TS	29.00(737)	2.00(51)		X		17	21									
								364TS	31.00(787)	2.00(51)		X		17	21									
								365TS	32.00(813)	2.00(51)		X		17	21									
								404TS	34.00(864)	2.00(51)		X		18	21									
								405TS	36.00(914)	2.00(51)			X	18	21									
								6x8x9.5A▲	6	8	11.00 (279)	10.50 (267)	7.00 (178)	8.25 (210)	27.00 (686)	254T	24.00(610)	1.00(25)		X			12	12
256T	25.00(635)	1.00(25)		X		12	12																	
284T	27.00(686)	1.00(25)		X		12	12																	
284TS	25.00(635)	1.00(25)		X		12	12																	
286T	28.00(711)	1.00(25)		X		12	12																	
286TS	26.00(660)	1.00(25)		X		12	12																	
324T	29.00(737)	1.00(25)		X		13	13																	
324TS	28.00(711)	1.00(25)		X		13	13																	
326T	31.00(787)	1.00(25)		X		13	13																	
326TS	29.00(737)	1.00(25)		X		13	13																	
6x8x11A▲	6	8	12.00 (305)	11.00 (279)	6.13 (156)	8.47 (215)	25.72 (653)									254T	24.00(610)	2.00(51)			X		16	22
																256T	25.00(635)	2.00(51)		X		16	22	
																284T	27.00(686)	2.00(51)		X		16	22	
																284TS	25.00(635)	2.00(51)		X		16	22	
								286T	28.00(711)	2.00(51)		X		16	22									
								286TS	26.00(660)	2.00(51)		X		16	22									
								324T	29.00(737)	2.00(51)		X		17	21									
								324TS	28.00(711)	2.00(51)		X		17	21									
								326T	31.00(787)	2.00(51)		X		17	21									
								326TS	29.00(737)	2.00(51)		X		17	21									
								364TS	31.00(787)	2.00(51)		X		17	21									
								365TS	32.00(813)	2.00(51)		X		17	21									
								6x8x13.5▲	6	8	12.00 (305)	13.38 (340)	6.50 (165)	9.31 (236)	33.57 (853)	286T	28.00(711)	1.00(25)				X	18	21
																286TS	26.00(660)	1.00(25)			X	18	21	
324T	29.00(737)	1.00(25)			X	18	21																	
324TS	28.00(711)	1.00(25)			X	18	21																	
326T	31.00(787)	1.00(25)			X	18	21																	
326TS	29.00(737)	1.00(25)			X	18	21																	
364TS	31.00(787)	1.00(25)			X	18	21																	
365TS	32.00(813)	1.00(25)			X	18	21																	
404TS	34.00(864)	1.00(25)			X	19	21																	
405TS	36.00(914)	1.00(25)			X	19	21																	
444TS	41.00(1041)	1.00(25)			X	19	21																	
445T	46.00(1168)	1.00(25)			X	23	23																	
8x10x13.5▲	8	10	15.00 (381)	14.00 (356)	8.00 (203)	11.00 (279)	34.96 (888)									286T	28.00(711)	1.00(25)				X	18	21
																286TS	26.00(660)	1.00(25)			X	18	21	
								324T	29.00(737)	1.00(25)			X	18	21									
								324TS	28.00(711)	1.00(25)			X	18	21									
								326T	31.00(787)	1.00(25)			X	18	21									
								326TS	29.00(737)	1.00(25)			X	18	21									
								364TS	31.00(787)	1.00(25)			X	18	21									
								365TS	32.00(813)	1.00(25)			X	18	21									
								404TS	34.00(864)	1.00(25)			X	19	21									
								405TS	36.00(914)	1.00(25)			X	19	21									
								444TS	41.00(1041)	1.00(25)			X	19	21									
								445T	46.00(1168)	1.00(25)			X	23	23									
								445TS	42.00(1067)	1.00(25)			X	19	21									
								447T	52.00(1321)	1.00(25)			X	23	23									

*Temporarily unavailable until further notice.

NOTES:

- Dimensions are approximate.
- All dimensions are in inches(mm) and may vary ± 1/4(6).
- Conduit box is shown in approximate position. Dimensions are not specified as they vary with each motor manufacturer.
- Not for construction purposes unless certified.
- ▲ Available in 250 lb./125 lb. flanges.
- X - for 1750 RPM applications
XX - for 3550 RPM applications
XXX - for 1750 and 3550 RPM applications
- HT is based on Aurora standard coupling.
HT may vary from .25 to 3.25".
- 00 - 2950 RPM operation only.

PENTAIR AURORA® MODEL 3804 PUMPS

WITH FORMED STEEL BASE, COUPLING AND MOTOR

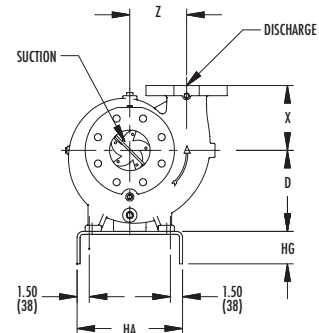
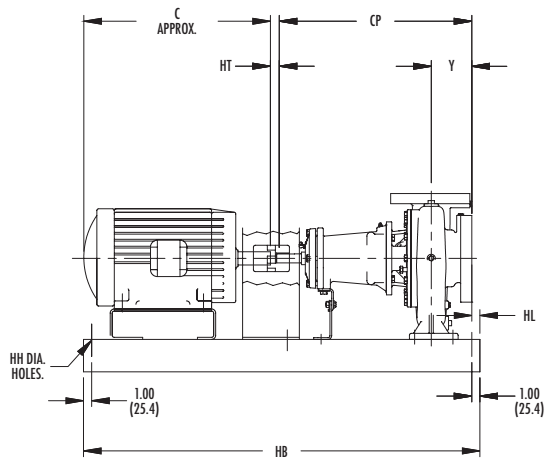
BASE	SIZE	HA	HB	HG	HH
1	12 x 30	12.00 (305)	30.00 (762)	3.00 (76)	0.63 (16)
2	12 x 34	12.00 (305)	34.00 (864)	3.00 (76)	0.63 (16)
3	12 x 38	12.00 (305)	38.00 (965)	3.00 (76)	0.63 (16)
4	13 x 42	13.00 (330)	42.00 (1067)	4.00 (102)	0.75 (19)
5	13 x 45	13.00 (330)	45.00 (1143)	4.00 (102)	0.75 (19)
6	15 x 48	15.00 (381)	48.00 (1219)	3.38 (86)	0.75 (19)
7	15 x 52	15.00 (381)	52.00 (1321)	4.13 (105)	0.75 (19)
8	18 x 38	18.00 (457)	38.00 (965)	4.00 (102)	0.75 (19)
9	18 x 42	18.00 (457)	42.00 (1067)	4.00 (102)	0.75 (19)
10	18 x 44	18.00 (457)	44.00 (1118)	4.00 (102)	0.75 (19)
11	18 x 50	18.00 (457)	50.00 (1270)	4.00 (102)	0.75 (19)
12	18 x 54	18.00 (457)	54.00 (1372)	4.00 (102)	0.75 (19)
13	18 x 60	18.00 (457)	60.00 (1524)	4.00 (102)	0.75 (19)
14	22 x 60	22.00 (559)	60.00 (1524)	4.00 (102)	0.75 (19)
15	22 x 64	22.00 (559)	64.00 (1626)	4.00 (102)	0.75 (19)
20	22 x 72	22.00 (559)	72.00 (1829)	4.00 (102)	0.75 (19)
16	26 x 54	26.00 (660)	54.00 (1372)	4.00 (102)	0.75 (19)
17	26 x 60	26.00 (660)	60.00 (1524)	4.50 (114)	0.75 (19)
18	26 x 66	26.00 (660)	66.00 (1676)	4.50 (114)	0.75 (19)
19	26 x 72	26.00 (660)	72.00 (1829)	4.50 (114)	0.75 (19)
23	26 x 84	26.00 (660)	84.00 (2134)	4.50 (114)	0.75 (19)

HORSEPOWER	MOTOR HORSEPOWER AND FRAME DESIGNATION					
	3600 RPM		1800 RPM		1200 RPM	
RATING	ODP	TEFC	ODP	TEFC	ODP	TEFC
1/2	56	-	56	56	56	56
3/4	56	56	56	56	143T	143T
1	56	56	143T	143T	145T	145T
1-1/2	143T	143T	145T	145T	182T	182T
2	145T	145T	145T	145T	184T	184T
3	145T	182T	182T	182T	213T	213T
5	182T	184T	184T	184T	215T	215T
7-1/2	184T	213T	213T	213T	254T	254T
10	213T	215T	215T	215T	256T	256T
15	215T	254T	254T	254T	284T	284T
20	254T	256T	256T	256T	286T	286T
25	256T	284TS	284T	284T	324T	324T
30	284TS	286TS	286T	286T	326T	326T
40	286TS	324TS	324T	324T	364T	364T
50	324TS	326TS	326T	326T	365T	365T
60	326TS	364TS	364TS	364TS	404T	404T
75	364TS	365TS	365TS	365TS	405T	405T
100	365TS	405TS	404TS	405TS	444T	444T
125	404TS	444TS	405TS	444TS	445T	445T
150	405TS	445TS	444TS	445TS	-	-
200	444TS	-	445TS	-	-	-

Power Frame	U	V	KEY
1	.88 (22)	2.13 (54)	.19(5) SQ. x 1.38(35) LNG
2 & 3	1.13 (28)	3.13 (79)	.25(6) SQ. x 1.75(44) LNG
21A	2.38 (60)	5.50 (139)	.63(16) SQ. x 4.00(101) LNG

NOTES:

1. Dimensions are approximate.
2. All dimensions are in inches (mm) and may vary $\pm 1/4$ (6).
3. Conduit box is shown in approximate position. Dimensions are not specified as they vary with each motor manufacturer.
4. Not for construction purposes unless certified.



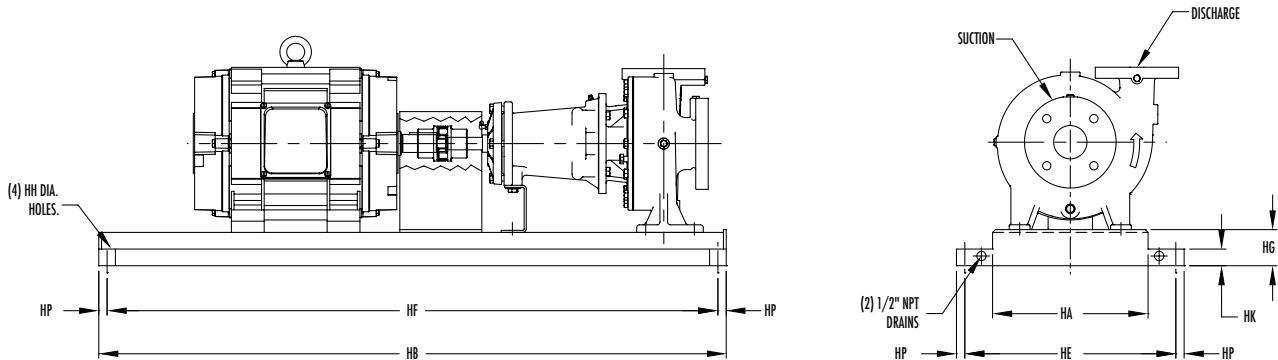
PENTAIR AURORA® MODEL 3804 PUMPS

WITH DRIP RIM BASE, COUPLING AND MOTOR

BASE	SIZE	HA	HB	HE	HF	HG	HH	HK	HP
4	11 x 30	11.00 (279)	30.50 (775)	15.88 (403)	29.13 (740)	3.00 (76)	.88 (22)	1.50 (38)	0.69 (17)
5	11 x 36	11.00 (279)	36.50 (927)	15.88 (403)	35.13 (892)	3.00 (76)	.88 (22)	1.50 (38)	0.69 (17)
6	11 x 42	11.00 (279)	42.50 (1080)	15.88 (403)	41.13 (1045)	3.00 (76)	.88 (22)	1.50 (38)	0.69 (17)
8	14 x 42	14.00 (356)	42.50 (1080)	19.00 (483)	41.00 (1041)	3.00 (76)	1.00 (25)	1.50 (38)	0.75 (19)
9	14 x 48	14.00 (356)	48.50 (1232)	19.00 (483)	47.00 (1194)	3.00 (76)	1.00 (25)	1.50 (38)	0.75 (19)
10	14 x 56	14.00 (356)	56.50 (1435)	19.00 (483)	55.00 (1397)	3.00 (76)	1.00 (25)	1.50 (38)	0.75 (19)
11	18 x 46	18.00 (457)	46.50 (1181)	25.13 (638)	44.88 (1140)	4.00 (102)	1.13 (29)	2.00 (51)	0.81 (21)
12	18 x 54	18.00 (457)	54.50 (1384)	25.13 (638)	52.88 (1343)	4.00 (102)	1.13 (29)	2.00 (51)	0.81 (21)
13	18 x 64	18.00 (457)	64.50 (1638)	25.13 (638)	62.88 (1597)	4.00 (102)	1.13 (29)	2.00 (51)	0.81 (21)
16	22 x 64	22.00 (559)	64.50 (1638)	29.13 (740)	62.88 (1597)	4.50 (114)	1.13 (29)	2.00 (51)	0.81 (21)
17	22 x 74	22.00 (559)	74.50 (1892)	29.13 (740)	72.88 (1851)	4.50 (114)	1.13 (29)	2.00 (51)	0.81 (21)
22	26 x 54	26.00 (660)	54.50 (1384)	33.13 (841)	52.88 (1343)	4.50 (114)	1.13 (29)	2.00 (51)	0.81 (21)
21	26 x 72	26.00 (660)	72.50 (1842)	33.13 (841)	70.88 (1800)	4.50 (114)	1.13 (29)	2.00 (51)	0.81 (21)
23	26 x 84	26.00 (660)	84.50 (2146)	33.13 (841)	82.88 (2105)	4.50 (114)	1.13 (29)	2.00 (51)	0.81 (21)

NOTES:

1. Dimensions are approximate.
2. All dimensions are in inches (mm) and may vary $\pm 1/4(6)$.
3. Conduit box is shown in approximate position. Dimensions are not specified as they vary with each motor manufacturer.
4. Not for construction purposes unless certified.





800 Airport Road | North Aurora, Illinois 60542 | Ph: 630.859.7000 | pentair.com

For a detailed list of where Pentair trademarks are registered, please visit www.pentair.com/en/registrations.html. Pentair trademarks and logos are owned by Pentair PLC, or its affiliates. Third party registered and unregistered trademarks and logos are the property of their respective owners. Because we are continuously improving our products and services, Pentair reserves the right to change specifications without prior notice. Pentair is an equal opportunity employer.

A-01-20-300ES (01-27-20) ©2020 Pentair. All Rights Reserved.