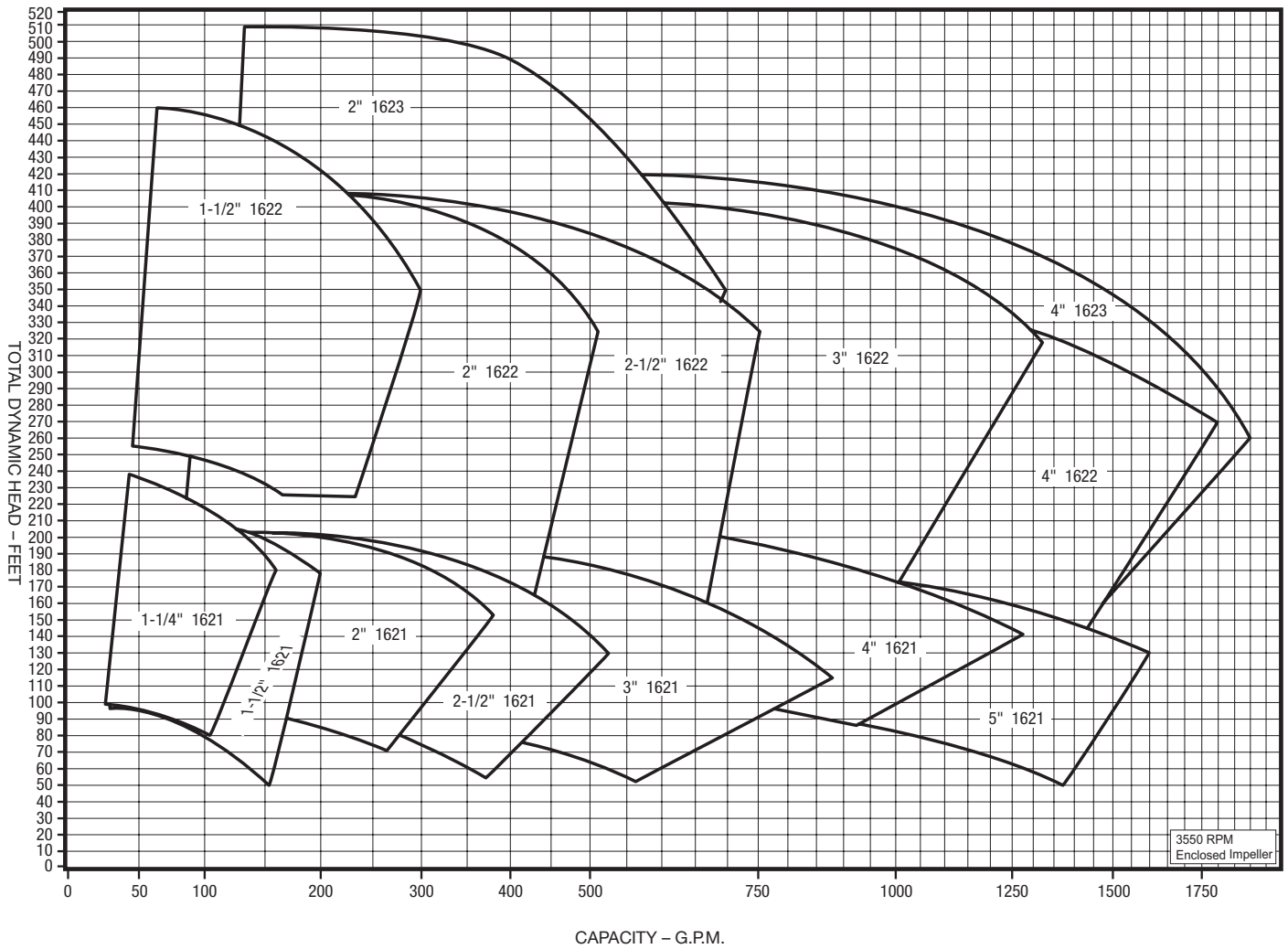
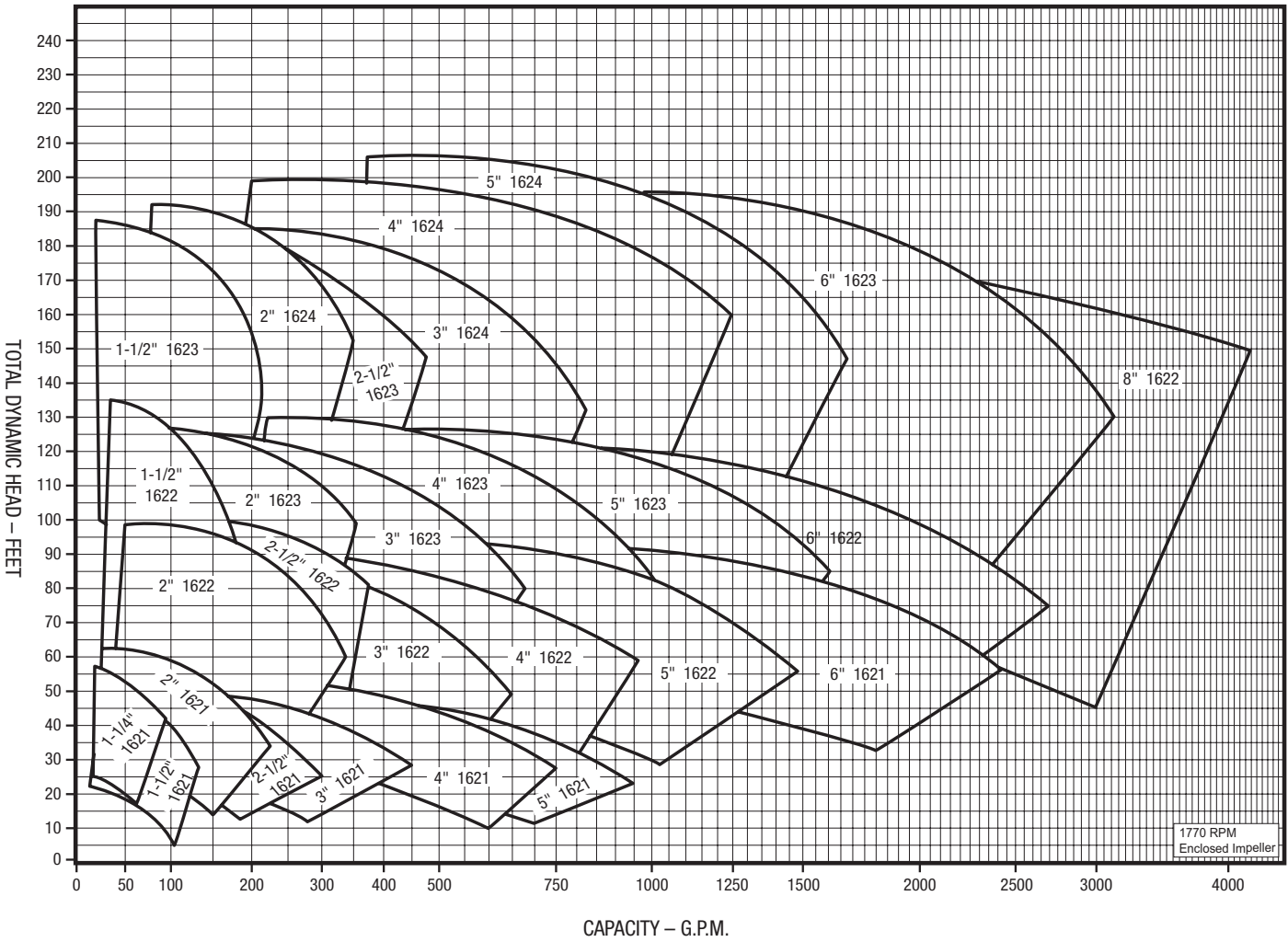


Hydraulic Coverage Chart – Models 1620 and 1650 End Suction Pumps 1600 Series Coverage Chart 3550 RPM



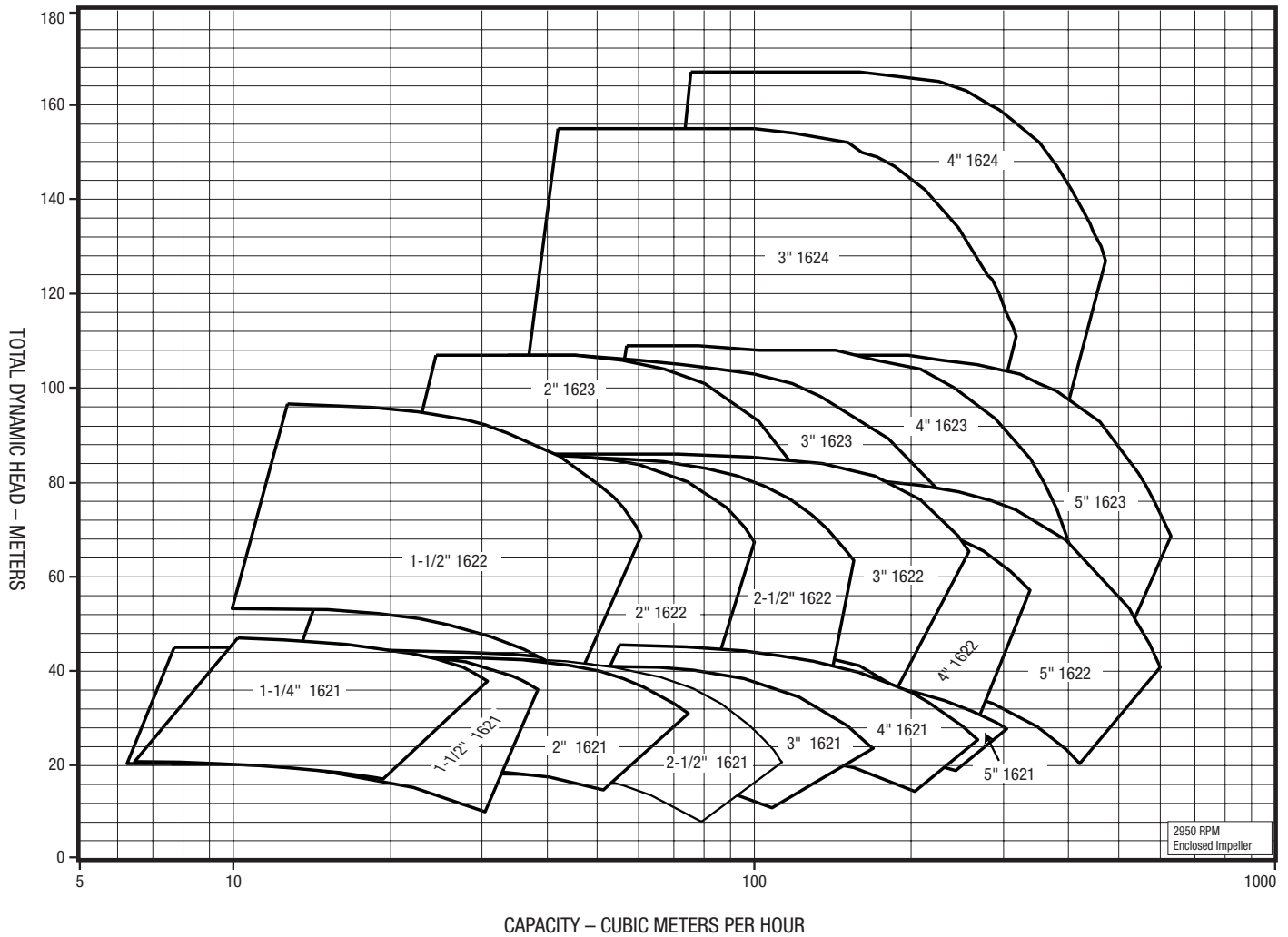
Pump performance curves can be found using the H2Optimize software. Go to www.fairbanksnijhuis.com and click on Resource Center. Curves also represent performance for 1650 Models.

Hydraulic Coverage Chart – Models 1620 and 1650 End Suction Pumps 1600 Series Coverage Chart 1770 RPM



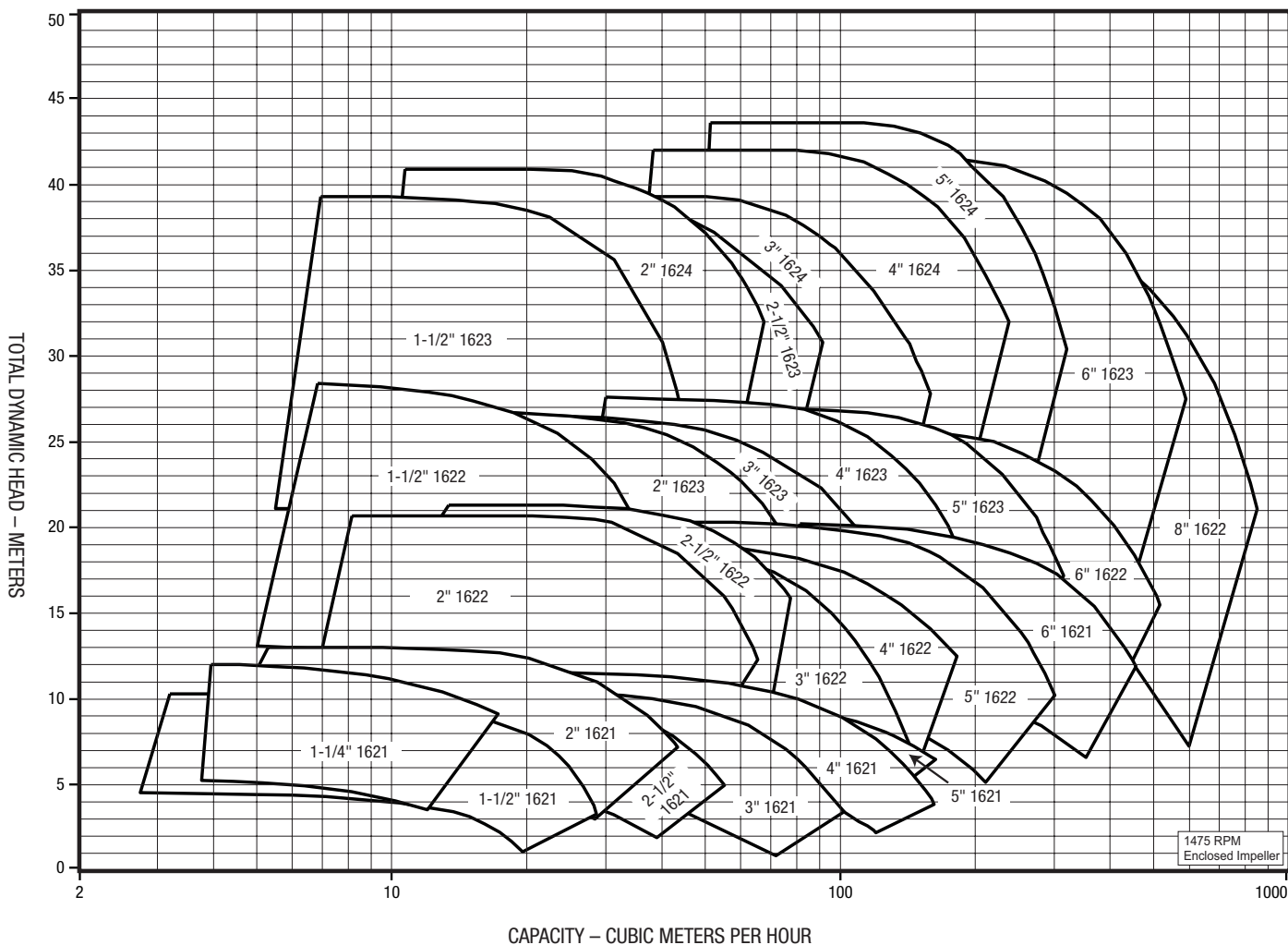
Pump performance curves can be found using the H2Optimize software. Go to www.fairbanksnijhuis.com and click on Resource Center. Curves also represent performance for 1650 Models.

Hydraulic Coverage Chart – Models 1620 and 1650 End Suction Pumps 1600 Series Coverage Chart 2950 RPM



Pump performance curves can be found using the H2Optimize software. Go to www.fairbanksnijhuis.com and click on Resource Center. Curves also represent performance for 1650 Models.

Hydraulic Coverage Chart – Models 1620 and 1650 End Suction Pumps 1600 Series Coverage Chart 1475 RPM



Pump performance curves can be found using the H2Optimize software. Go to www.fairbanksnijhuis.com and click on Resource Center. Curves also represent performance for 1650 Models.

Technical Data – Models 1620 and 1650 End Suction Pumps Horizontal, Material Specification

Frame Mounted 1620

Description	Stainless Fitted	
	Material	Spec (1)
Impeller	Stainless Steel	A743-CF8M
Shaft	Steel	AISI C1045
Bolt, Impeller	Stainless Steel	ASA
Washer, Impeller	Stainless Steel	AISI 304
Sleeve, Shaft	Bronze	B62
Foot, Mounting	Steel	-
Volute	Cast Iron	A48 CL30
Seal Plate	Cast Iron	A48 CL30
Motor Bracket	Cast Iron	A48 CL30
Frame, Bearing	Cast Iron	A48 CL30
Key, Impeller	Steel	Wrought
Deflector, Inner	Neoprene	Commercial
Deflector, Outer	Neoprene	Commercial
Seal, Inner Grease	Steel & Buna-N	Commercial
Gasket, Volute	Nitrile	Butadiene Cellulose
Cover, Thrust Bearing Housing	Cast Iron	A48 CL30
Seal, Outer Grease	Steel & Buna-N	Commercial
Bearing, Radial	Steel	Commercial
Bearing, Thrust	Steel	Commercial
Snap Ring, Bearing	Steel	-
Mechanical Seal	Ni-resist and carbon faces, stainless metal parts and Buna-N elastomer parts.	-
Key, Coupling	Steel	-

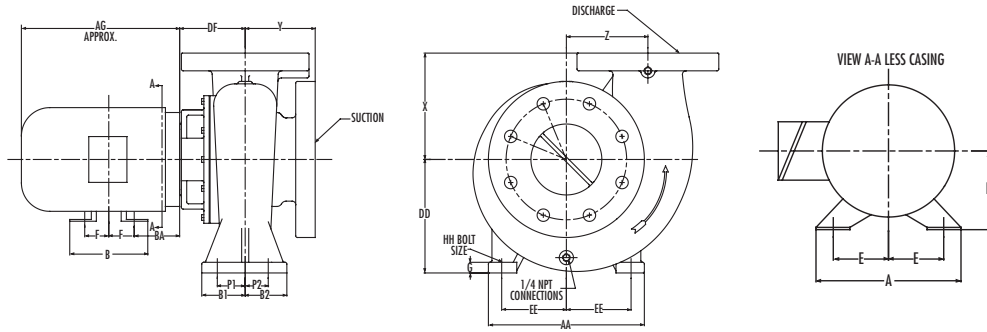
Options to Basic Pumps

Description	Material	Spec (1)
Wear Ring, Case (Front)	Bronze	B62
Wear Ring, Case (Rear)	Bronze	B62
Wear Ring, Impeller (Front)	Bronze	B62
Wear Ring, Impeller (Rear)	Bronze	B62

(1) All material designations are ASTM unless otherwise noted.

Dimensional Data – Models 1620 and 1650 End Suction Pumps

1650 Basic Pump Dimensions

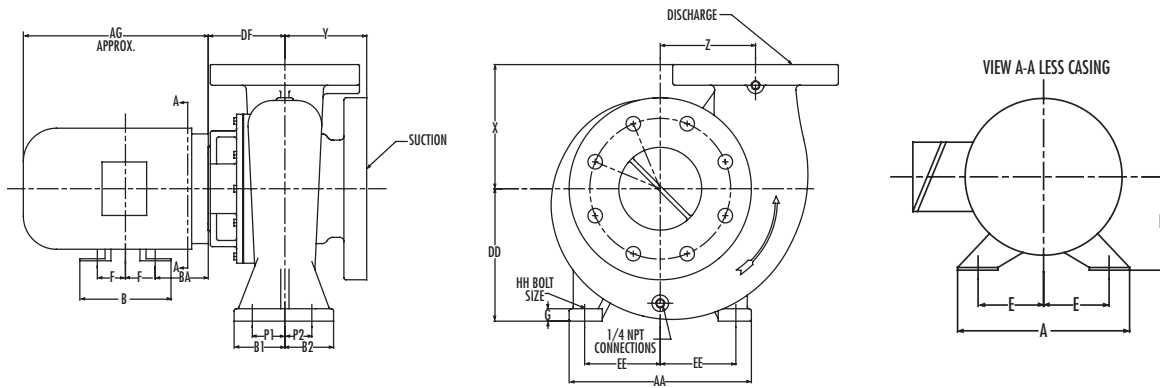


Pump Size	Disch.	Suct.	DD	X	Y	Z	P1	P2	B1	B2	G	HH	EE	AA	DF 143-184JM	DF 213-215JM	DF 254-256JM	DF 284-326JM	DF 364-404TCZ	DF 444-449TCZ
1-1/4" 1651 (NPT)	1.25	1.5	7.00 (178)	5.00 (127)	3.25 (083)	4.50 (114)	1.63 (041)	1.38 (035)	2.63 (067)	2.38 (060)	0.63 (016)	0.44 (011)	3.25 (083)	8.00 (203)	4.25 (108)	4.25 (108)	N/A	N/A	N/A	N/A
1-1/2" 1651 (NPT)	1.5	2	7.00 (178)	6.00 (152)	3.13 (079)	4.63 (117)	1.44 (037)	1.56 (040)	2.44 (062)	2.56 (065)	0.63 (016)	0.44 (011)	3.25 (083)	8.00 (203)	4.75 (121)	4.75 (121)	5.31 (135)	N/A	N/A	N/A
1-1/2" 1652 (NPT)	1.5	2	8.00 (203)	9.00 (5) (229)	3.13 (079)	5.75 (146)	1.44 (037)	2.94 (075)	2.25 (057)	3.75 (095)	0.69 (017)	0.44 (011)	4.56 (116)	11.00 (279)	4.63 (118)	4.63 (118)	5.63 (143)	5.63 (143)	N/A	N/A
1-1/2" 1653 (NPT)	1.5	2	10.00 (254)	7.75 (197)	2.75 (070)	5.75 (146)	1.94 (049)	2.94 (075)	2.87 (073)	3.75 (095)	0.69 (017)	0.44 (011)	4.56 (116)	11.00 (279)	4.81 (122)	4.81 (122)	N/A	N/A	N/A	N/A
2" 1651 (4)	2	2.5	7.00 (178)	6.50 (165)	3.50 (089)	4.75 (121)	1.56 (040)	1.44 (037)	2.56 (065)	2.44 (062)	0.63 (016)	0.44 (011)	3.25 (083)	8.00 (203)	4.88 (124)	4.88 (124)	5.5 (140)	5.5 (140)	N/A	N/A
2" 1652 (4)	2	2.5	8.00 (203)	7.00 (178)	4.00 (102)	5.88 (149)	1.56 (040)	2.81 (071)	2.38 (060)	3.63 (092)	0.69 (017)	0.44 (011)	4.56 (116)	11.00 (279)	4.75 (121)	4.75 (121)	5.44 (138)	5.44 (138)	N/A	N/A
2" 1653 (4)	2	3	10.00 (254)	8.00 (203)	5.50 (140)	6.50 (165)	2.23 (057)	2.77 (070)	3.23 (082)	3.77 (096)	0.88 (022)	0.50 (013)	7.00 (178)	16.00 (406)	4.44 (113)	4.44 (113)	5.31 (135)	5.31 (135)	9.13 (232)	9.13 (232)
2" 1654 (4)	2	3	10.00 (254)	9.00 (229)	5.50 (140)	7.25 (184)	2.00 (051)	3.00 (076)	3.00 (076)	4.00 (102)	0.88 (022)	0.50 (013)	7.00 (178)	16.00 (406)	N/A	5.38 (137)	5.38 (137)	5.38 (137)	N/A	N/A
2-1/2" 1651 (4)	2.5	3	7.00 (178)	6.00 (152)	4.25 (108)	4.69 (121)	1.63 (041)	1.38 (035)	2.63 (067)	2.38 (060)	0.63 (016)	0.44 (011)	3.25 (083)	8.00 (203)	4.81 (122)	4.81 (122)	4.44 (113)	4.44 (113)	N/A	N/A
2-1/2" 1652 (4)	2.5	3	8.00 (203)	6.75 (171)	4.00 (102)	6.00 (152)	1.63 (041)	2.75 (070)	2.44 (062)	3.56 (090)	0.69 (017)	0.44 (011)	4.56 (116)	11.00 (279)	4.94 (125)	4.94 (125)	5.56 (141)	5.56 (141)	9.56 (243)	9.56 (243)
2-1/2" 1653 (4)	2.5	3	10.00 (254)	9.00 (229)	6.00 (152)	8.00 (203)	2.00 (051)	3.00 (076)	3.00 (076)	4.00 (102)	0.88 (022)	0.50 (013)	7.00 (178)	16.00 (406)	N/A	5.5 (140)	5.5 (140)	5.5 (140)	N/A	N/A
3" 1651 (4)	3	4	7.00 (178)	6.00 (152)	4.13 (105)	5.00 (127)	1.69 (043)	1.31 (033)	2.69 (068)	2.31 (059)	0.63 (016)	0.44 (011)	3.25 (083)	8.00 (203)	4.69 (119)	4.69 (119)	5.31 (135)	5.31 (135)	N/A	N/A
3" 1652 (4)	3	4	8.00 (203)	7.50 (191)	4.75 (121)	6.13 (156)	1.81 (046)	2.56 (065)	2.69 (068)	3.31 (084)	0.75 (019)	0.44 (011)	4.56 (116)	11.00 (279)	4.69 (119)	4.69 (119)	5.31 (135)	5.31 (135)	9.31 (236)	9.31 (236)
3" 1653 (4)	3	4	10.00 (254)	9.50 (241)	5.50 (140)	7.38 (187)	2.44 (062)	2.56 (065)	3.44 (087)	3.56 (091)	0.88 (022)	0.50 (013)	7.00 (178)	16.00 (406)	4.44 (113)	4.44 (113)	5.31 (135)	5.31 (135)	9.13 (232)	9.13 (232)
3" 1654 (4)	3	4	10.00 (254)	9.50 (241)	5.63 (143)	8.00 (203)	2.13 (054)	2.88 (073)	3.13 (080)	3.88 (098)	0.88 (022)	0.50 (013)	7.00 (178)	16.00 (406)	N/A	N/A	5.44 (138)	5.44 (138)	9.31 (236)	9.31 (236)
4" 1651 (4)	4	5	8.00 (203)	7.50 (191)	4.94 (125)	5.75 (146)	2.25 (057)	2.13 (054)	3.06 (078)	2.94 (075)	0.69 (017)	0.44 (011)	4.56 (116)	11.00 (279)	4.94 (125)	4.94 (125)	5.56 (141)	5.56 (141)	N/A	N/A
4" 1652 (4)	4	5	10.00 (254)	8.00 (203)	5.00 (127)	7.00 (178)	1.88 (048)	2.50 (064)	2.69 (068)	3.31 (084)	0.75 (019)	0.44 (011)	4.56 (116)	11.00 (279)	4.69 (119)	4.69 (119)	5.31 (135)	5.31 (135)	9.31 (236)	9.31 (236)
4" 1653 (4)	4	5	10.00 (254)	9.75 (248)	5.56 (141)	7.25 (184)	2.41 (061)	2.59 (066)	3.41 (087)	3.59 (091)	0.88 (022)	0.50 (013)	7.00 (178)	16.00 (406)	4.5 (114)	4.5 (114)	5.38 (137)	5.38 (137)	9.19 (233)	9.19 (233)
4" 1654 (4)	4	5	11.00 (279)	10.00 (254)	6.00 (152)	8.56 (218)	2.25 (057)	2.75 (070)	3.25 (083)	3.75 (095)	0.88 (022)	0.50 (013)	7.00 (178)	16.00 (406)	N/A	N/A	5.06 (129)	5.06 (129)	8.88 (226)	8.88 (226)
5" 1651 (4)	5	6	10.00 (254)	8.50 (216)	5.81 (148)	6.25 (159)	2.81 (071)	1.56 (040)	3.63 (092)	2.38 (060)	0.69 (018)	0.44 (011)	4.56 (116)	11.00 (279)	5.18 (132)	5.18 (132)	5.81 (148)	5.81 (148)	9.5 (241)	N/A
5" 1652 (4)	5	6	11.00 (279)	10.00 (254)	6.00 (152)	7.50 (191)	2.19 (056)	2.81 (071)	3.19 (081)	3.81 (097)	0.88 (022)	0.50 (013)	7.00 (178)	16.00 (406)	5.06 (129)	5.06 (129)	5.69 (145)	5.69 (145)	9.69 (246)	9.69 (246)
5" 1653 (4)	5	6	11.00 (279)	10.50 (267)	5.44 (138)	7.94 (202)	2.59 (066)	2.41 (061)	3.44 (087)	3.56 (091)	0.88 (022)	0.50 (013)	7.00 (178)	16.00 (406)	N/A	N/A	5.44 (138)	5.44 (138)	9.25 (235)	9.25 (235)
5" 1654 (4)	5	6	12.00 (305)	13.00 (330)	6.00 (152)	9.00 (229)	4.19 (106)	4.81 (122)	5.19 (132)	5.81 (148)	1.00 (025)	0.63 (016)	10.50 (267)	23.00 (584)	N/A	N/A	5.56 (141)	5.56 (141)	9.38 (238)	9.38 (238)
6" 1651 (4)	6	8	11.00 (279)	10.50 (267)	7.00 (178)	8.25 (210)	3.13 (079)	1.88 (048)	4.13 (105)	2.88 (073)	0.88 (022)	0.50 (013)	7.00 (178)	16.00 (406)	N/A	N/A	6.19 (157)	6.19 (157)	N/A	N/A
6" 1652 (4)	6	8	12.00 (305)	11.00 (279)	6.13 (156)	8.47 (215)	4.63 (117)	4.38 (111)	5.63 (143)	5.38 (137)	1.00 (025)	0.63 (016)	10.50 (267)	23.00 (584)	N/A	N/A	5.81 (148)	5.81 (148)	N/A	N/A
6" 1653 (4)	6	8	12.63 (5) (321)	13.38 (5) (340)	6.50 (165)	9.31 (237)	4.50 (114)	4.50 (114)	5.50 (140)	5.50 (140)	1.00 (025)	0.63 (016)	10.50 (267)	23.00 (584)	N/A	N/A	8.38 (213)	8.38 (213)	9.44 (240)	9.44 (240)
8" 1652 (4)	8	10	15.00 (381)	14.00 (356)	8.00 (203)	11.00 (279)	4.50 (114)	4.50 (114)	5.50 (140)	5.50 (140)	1.00 (025)	0.63 (016)	10.50 (267)	23.00 (584)	N/A	N/A	8.19 (208)	8.19 (208)	9.25 (235)	9.25 (235)

- NOTES:
- Dimensions are approximate.
 - All dimensions are in inches (mm) and may vary ± 1/4 (6).
 - Not for construction purposes unless certified.
 - Available in 250 lb./125 lb. flanges.
 - Dimensions do not match Bell & Gossett.
 - Conduit box is shown in approximate location. Dimensions are not specified as they may vary with each motor manufacturer.

Dimensional Data – Models 1620 and 1650 End Suction Pumps

1650 Basic Pump Dimensions

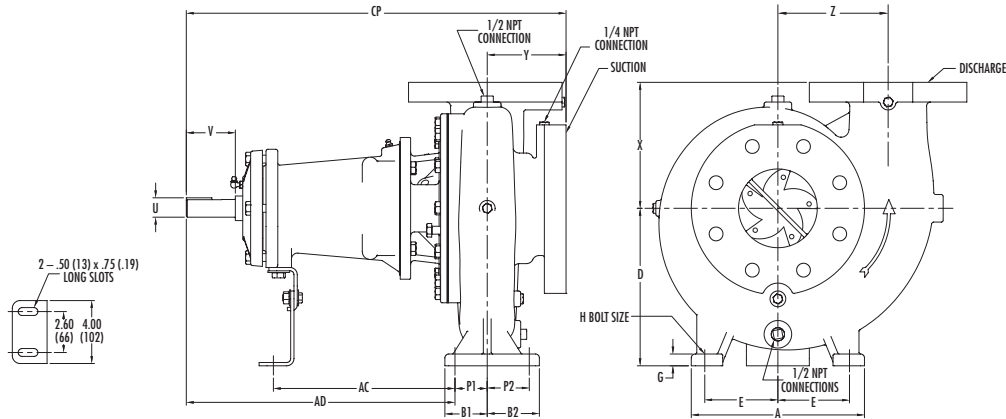


MOTOR FRAME							
Frame	AG Approx.	A	D	E	F	H	BA ³
143JM	10.00 (254)	7.00 (178)	3.50 (089)	2.75 (070)	2.00 (051)	0.34 (009)	2.25 (057)
145JM	11.00 (279)	7.00 (178)	3.50 (089)	2.75 (070)	2.50 (064)	0.34 (009)	2.25 (057)
182JM	11.00 (279)	9.00 (229)	4.50 (114)	3.75 (095)	2.25 (057)	0.41 (010)	2.75 (070)
184JM	12.00 (305)	9.00 (229)	4.50 (114)	3.75 (095)	2.75 (070)	0.41 (010)	2.75 (070)
213JM	14.00 (356)	10.50 (267)	5.25 (133)	4.25 (108)	2.75 (070)	0.41 (010)	3.50 (089)
215JM	15.00 (381)	10.50 (267)	5.25 (133)	4.25 (108)	3.50 (089)	0.41 (010)	3.50 (089)
254JM	17.50 (445)	12.50 (318)	6.25 (159)	5.00 (127)	4.13 (105)	0.53 (013)	4.25 (108)
256JM	19.00 (483)	12.50 (318)	6.25 (159)	5.00 (127)	5.00 (127)	0.53 (013)	4.25 (108)
284JM	19.00 (483)	14.00 (356)	7.00 (178)	5.50 (140)	4.75 (121)	0.53 (013)	4.75 (121)
286JM	21.00 (533)	14.00 (356)	7.00 (178)	5.50 (140)	5.50 (140)	0.53 (013)	4.75 (121)
324JM	22.00 (559)	16.00 (406)	8.00 (203)	6.25 (159)	5.25 (133)	0.66 (017)	5.25 (133)
326JM	23.00 (584)	16.00 (406)	8.00 (203)	6.25 (159)	6.00 (152)	0.66 (017)	5.25 (133)
364JM	26.00 (660)	17.17 (436)	9.00 (229)	7.00 (178)	5.63 (143) / 6.13 (156) ^F	0.66 (17)	5.88 (149)
365JM	26.00 (660)	17.17 (436)	9.00 (229)	7.00 (178)	5.63 (143) / 6.13 (156) ^F	0.66 (17)	5.88 (149)
404JM	32.00 (813)	19.92 (506)	10.00 (254)	7.99 (203)	6.12 (155) / 6.87 (174) ^F	0.81 (21)	6.61 (168)
405JM	32.00 (813)	19.92 (506)	10.00 (254)	7.99 (203)	6.12 (155) / 6.87 (174) ^F	0.81 (21)	6.61 (168)
364TCZ	24.00 (610)	18.00 (457)	9.00 (229)	7.00 (178)	5.63 (143)	0.66 (017)	5.88 (149)
365TCZ	24.00 (610)	18.00 (457)	9.00 (229)	7.00 (178)	6.13 (156)	0.66 (017)	5.88 (149)
404TCZ	27.25 (692)	20.00 (508)	10.00 (254)	8.00 (203)	6.13 (156)	0.81 (021)	6.63 (168)
405TCZ	28.75 (730)	20.00 (508)	10.00 (254)	8.00 (203)	6.88 (175)	0.81 (021)	6.63 (168)
444TCZ	31.13 (791)	22.00 (559)	11.00 (279)	9.00 (229)	7.25 (184)	0.81 (021)	7.50 (191)
445TCZ	31.13 (791)	22.00 (559)	11.00 (279)	9.00 (229)	8.25 (210)	0.81 (021)	7.50 (191)
447TCZ	39.63 (1006)	22.00 (559)	11.00 (279)	9.00 (229)	10.00 (254)	0.81 (021)	7.50 (191)
449TCZ	39.63 (1006)	22.00 (559)	11.00 (279)	9.00 (229)	12.50 (318)	0.81 (021)	7.50 (191)

NOTES:

1. All dimensions are in inches (mm) and may vary ± 1/4 (6).
2. Not for construction purposes unless certified.
3. BA dimensions may vary for different manufacturers. Reference only.
4. Conduit box is shown in approximate location. Dimensions are not specified as they may vary with each motor manufacturer.
5. There are two mounting holes on the rear foot for the noted pumps.

Dimensional Data – Models 1620 and 1650 End Suction Pumps / 1620 Basic Pump Dimensions



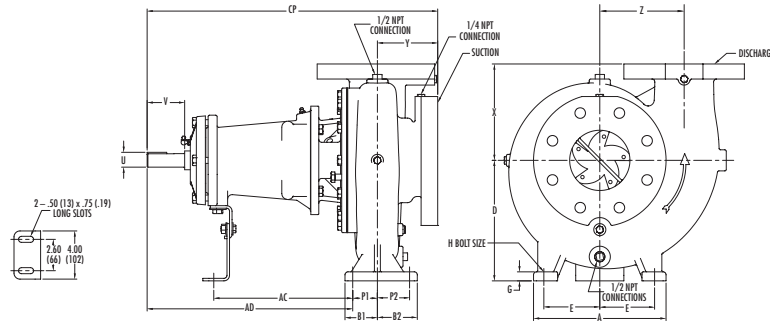
Pump Size	Power Frame	Discharge	Suction	D	X	Y	Z	P1	P2	B1	B2	G	H	E	A	AC	AD	CP	U	V	Key
1-1/4" 1621 (NPT)	1	1.25	1.5	7.00 (178)	5.00 (127)	3.25 (083)	4.50 (114)	1.63 (041)	1.38 (035)	2.63 (067)	2.38 (060)	0.63 (016)	0.44 (011)	3.25 (083)	8.00 (203)	8.35 (212)	12.93 (328)	17.81 (452)	0.88 (022)	2.13 (054)	.19(5) SQ. x 1.38(35) LNG
1-1/2" 1621 (NPT)	1	1.5	2	7.00 (178)	6.00 (152)	3.13 (079)	4.63 (117)	1.44 (037)	1.56 (040)	2.44 (062)	2.56 (065)	0.63 (016)	0.44 (011)	3.25 (083)	8.00 (203)	9.03 (229)	13.59 (345)	18.16 (461)	0.88 (022)	2.13 (054)	.19(5) SQ. x 1.38(35) LNG
1-1/2" 1622 (NPT)	1	1.5	2	8.00 (203)	9.00 (229)	3.13 (079)	5.75 (146)	1.44 (037)	2.94 (075)	2.25 (057)	3.75 (095)	0.69 (017)	0.44 (011)	4.56 (116)	11.00 (279)	8.92 (227)	13.48 (342)	18.05 (458)	0.88 (022)	2.13 (054)	.19(5) SQ. x 1.38(35) LNG
1-1/2" 1622 (NPT)	2	1.5	2	8.00 (203)	9.00 (229)	3.13 (079)	5.75 (146)	1.44 (037)	2.94 (075)	2.25 (057)	3.75 (095)	0.69 (017)	0.44 (011)	4.56 (116)	11.00 (279)	12.19 (310)	18.62 (473)	23.19 (589)	1.13 (029)	3.13 (079)	.25(6) SQ. x 1.75(45) LNG
1-1/2" 1623 (NPT)	1	1.5	2	10.00 (254)	7.75 (197)	2.75 (070)	5.75 (146)	1.94 (049)	2.94 (075)	2.87 (073)	3.75 (095)	0.69 (017)	0.44 (011)	4.56 (116)	11.00 (279)	8.60 (218)	13.16 (334)	17.85 (453)	0.88 (022)	2.13 (054)	.19(5) SQ. x 1.38(35) LNG
2" 1621 (6)	1	2	2.5	7.00 (178)	6.50 (165)	3.50 (089)	4.75 (105)	1.56 (040)	1.44 (037)	2.56 (065)	2.44 (062)	0.63 (016)	0.44 (011)	3.25 (083)	8.00 (203)	9.08 (231)	13.63 (346)	18.70 (475)	0.88 (022)	2.13 (054)	.19(5) SQ. x 1.38(35) LNG
2" 1622 (6)	1	2	2.5	8.00 (203)	7.00 (178)	4.00 (102)	5.88 (149)	1.56 (040)	2.81 (071)	2.38 (060)	3.63 (092)	0.69 (017)	0.44 (011)	4.56 (116)	11.00 (279)	8.94 (227)	13.50 (343)	19.07 (484)	0.88 (022)	2.13 (054)	.19(5) SQ. x 1.38(35) LNG
2" 1622 (6)	2	2	2.5	8.00 (203)	7.00 (178)	4.00 (102)	5.88 (149)	1.56 (040)	2.81 (071)	2.38 (060)	3.63 (092)	0.69 (017)	0.44 (011)	4.56 (116)	11.85 (279)	11.85 (301)	17.69 (449)	23.22 (590)	1.13 (029)	3.13 (079)	.25(6) SQ. x 1.75(45) LNG
2" 1623 (6)	1	2	3	10.00 (254)	8.00 (203)	5.50 (140)	6.50 (165)	2.23 (057)	2.77 (070)	3.23 (082)	3.77 (096)	0.88 (022)	0.50 (013)	7.00 (178)	16.00 (406)	7.93 (201)	12.52 (318)	20.22 (514)	0.88 (022)	2.13 (054)	.19(5) SQ. x 1.38(35) LNG
2" 1623 (6)	2	2	3	10.00 (254)	8.00 (203)	5.50 (140)	6.50 (165)	2.23 (057)	2.77 (070)	3.23 (082)	3.77 (096)	0.88 (022)	0.50 (013)	7.00 (178)	16.00 (406)	11.06 (281)	16.87 (428)	24.59 (625)	1.13 (029)	3.13 (079)	.25(6) SQ. x 1.75(45) LNG
2" 1624 (6)	2	2	3	10.00 (254)	9.00 (229)	5.50 (140)	7.25 (184)	2.00 (051)	3.00 (076)	3.00 (076)	4.00 (102)	0.88 (022)	0.50 (013)	7.00 (178)	16.00 (406)	11.34 (288)	17.25 (438)	24.85 (626)	1.13 (029)	3.13 (079)	.25(6) SQ. x 1.75(45) LNG
2-1/2" 1621 (6)	1	2.5	3	7.00 (178)	6.00 (152)	4.25 (108)	4.69 (119)	1.63 (041)	1.38 (035)	2.63 (067)	2.38 (060)	0.63 (016)	0.44 (011)	3.25 (083)	8.00 (203)	8.94 (227)	13.50 (343)	19.38 (492)	0.88 (022)	2.13 (054)	.19(5) SQ. x 1.38(35) LNG
2-1/2" 1621 (6)	1	2.5	3	7.00 (178)	6.00 (152)	4.25 (108)	4.69 (119)	1.63 (041)	1.38 (035)	2.63 (067)	2.38 (060)	0.63 (016)	0.44 (011)	3.25 (083)	8.00 (203)	11.81 (300)	17.69 (449)	23.49 (597)	1.13 (029)	3.13 (080)	.25(6) SQ. x 1.75(45) LNG
2-1/2" 1622 (6)	1	2.5	3	8.00 (203)	6.75 (171)	4.00 (102)	6.00 (152)	1.63 (041)	2.75 (070)	2.44 (062)	3.56 (090)	0.69 (017)	0.44 (011)	4.56 (116)	11.00 (279)	9.03 (229)	13.62 (346)	19.22 (488)	0.88 (022)	2.13 (054)	.19(5) SQ. x 1.38(35) LNG
2-1/2" 1622 (6)	2	2.5	3	8.00 (203)	6.75 (171)	4.00 (102)	6.00 (152)	1.63 (041)	2.75 (070)	2.44 (062)	3.56 (090)	0.69 (017)	0.44 (011)	4.56 (116)	11.93 (279)	11.93 (303)	17.75 (451)	23.37 (594)	1.13 (029)	3.13 (079)	.25(6) SQ. x 1.75(45) LNG
2-1/2" 1623 (6)	2	2.5	3	10.00 (254)	9.00 (229)	6.00 (152)	8.00 (203)	2.00 (051)	3.00 (076)	3.00 (076)	4.00 (102)	0.88 (022)	0.50 (013)	7.00 (178)	16.00 (406)	11.47 (291)	17.28 (439)	25.28 (642)	1.13 (029)	3.13 (079)	.25(6) SQ. x 1.75(45) LNG
3" 1621 (6)	1	3	4	7.00 (178)	6.00 (152)	4.13 (105)	5.00 (127)	1.69 (043)	1.31 (033)	2.69 (068)	2.31 (059)	0.63 (016)	0.44 (011)	3.25 (083)	8.00 (203)	8.73 (222)	13.24 (336)	19.11 (485)	0.88 (022)	2.13 (054)	.19(5) SQ. x 1.38(35) LNG
3" 1621 (6)	2	3	4	7.00 (178)	6.00 (152)	4.13 (105)	5.00 (127)	1.69 (043)	1.31 (033)	2.69 (068)	2.31 (059)	0.63 (016)	0.44 (011)	3.25 (083)	8.00 (203)	11.60 (295)	17.43 (443)	23.22 (590)	1.13 (029)	3.13 (079)	.25(6) SQ. x 1.75(45) LNG
3" 1622 (6)	1	3	4	8.00 (203)	7.50 (191)	4.75 (121)	6.13 (156)	1.81 (046)	2.56 (065)	2.69 (068)	3.31 (084)	0.75 (019)	0.44 (011)	4.56 (116)	11.00 (279)	8.54 (217)	13.19 (335)	19.72 (501)	0.88 (022)	2.13 (054)	.19(5) SQ. x 1.38(35) LNG
3" 1622 (6)	3	3	4	8.00 (203)	7.50 (191)	4.75 (121)	6.13 (156)	1.81 (046)	2.56 (065)	2.69 (068)	3.31 (084)	0.75 (019)	0.44 (011)	4.56 (116)	11.50 (279)	11.50 (292)	17.32 (440)	23.87 (606)	1.13 (029)	3.13 (079)	.25(6) SQ. x 1.75(45) LNG

NOTES:

1. Dimensions are approximate.
2. All dimensions are in inches (mm) and may vary ± 1/4 (6).
3. Not for construction purposes unless certified.
4. Use Extra Large power frame with impeller diameters larger than 12.5 (318).
5. Power Frames 2 & 3 have the same external dimensions.
6. Available in 250 lb./125 lb. flanges.
7. Dimensions do not match Bell & Gossett.

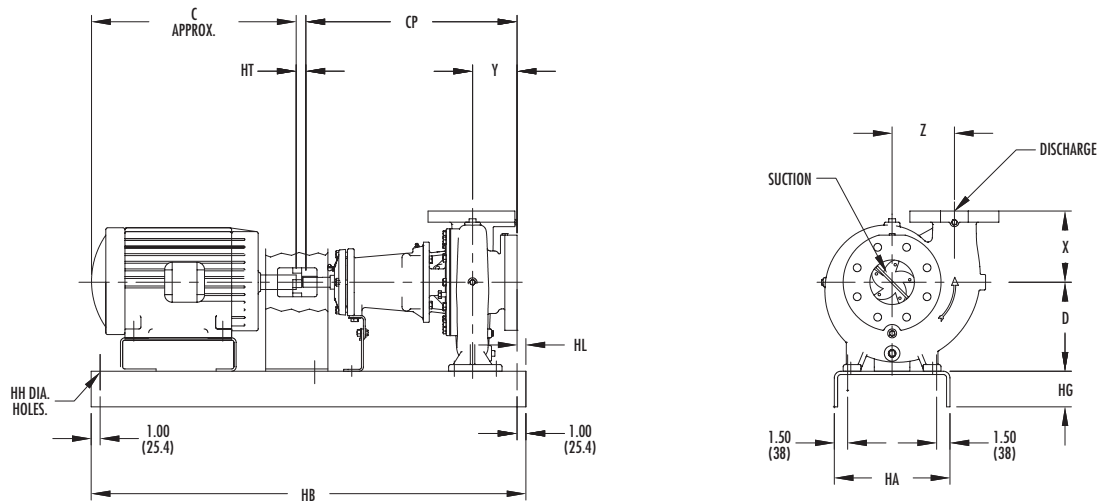
Dimensional Data – Models 1620 and 1650 End Suction Pumps

1620 Basic Pump Dimensions



Pump Size	Power Frame	Discharge	Suction	D	X	Y	Z	P1	P2	B1	B2	G	H	E	A	AC	AD	CP	U	V	Key
3" 1623 (6)	1	3	4	10.00 (254)	9.50 (241)	5.50 (140)	7.38 (187)	2.44 (062)	2.56 (065)	3.44 (087)	3.56 (091)	0.88 (022)	0.50 (013)	7.00 (178)	16.00 (406)	8.19 (208)	12.31 (313)	20.25 (514)	0.88 (022)	2.13 (054)	.19(5) SQ. x 1.38(35) LNG
3" 1623 (6)	3	3	4	10.00 (254)	9.50 (241)	5.50 (140)	7.38 (187)	2.44 (062)	2.56 (065)	3.44 (087)	3.56 (091)	0.88 (022)	0.50 (013)	7.00 (178)	16.00 (406)	11.19 (284)	16.69 (424)	24.63 (625)	1.13 (029)	3.13 (079)	.25(6) SQ. x 1.75(45) LNG
3" 1624 (6)	2.3	3	4	10.00 (254)	9.50 (241)	5.63 (143)	8.00 (203)	2.13 (054)	2.88 (073)	3.13 (080)	3.88 (098)	0.88 (022)	0.50 (013)	7.00 (178)	16.00 (406)	11.62 (295)	17.12 (435)	24.88 (632)	1.13 (029)	3.13 (079)	.25(6) SQ. x 1.75(45) LNG
4" 1621 (6)	1	4	5	8.00 (203)	7.50 (191)	4.94 (125)	5.75 (146)	2.25 (057)	2.13 (054)	3.06 (078)	2.94 (075)	0.69 (017)	0.44 (011)	4.56 (116)	11.00 (279)	8.81 (224)	12.94 (329)	20.13 (511)	0.88 (022)	2.13 (054)	.19(5) SQ. x 1.38(35) LNG
4" 1621 (6)	2	4	5	8.00 (203)	7.50 (191)	4.94 (125)	5.75 (146)	2.25 (057)	2.13 (054)	3.06 (078)	2.94 (075)	0.69 (017)	0.44 (011)	4.56 (116)	11.56 (294)	17.06 (433)	24.25 (616)	24.25 (616)	1.13 (029)	3.13 (079)	.25(6) SQ. x 1.75(45) LNG
4" 1622 (6)	1	4	5	10.00 (254)	8.00 (203)	5.00 (127)	7.00 (178)	1.88 (048)	2.50 (064)	2.69 (068)	3.31 (084)	0.75 (019)	0.44 (011)	4.56 (116)	11.00 (279)	9.00 (229)	13.13 (333)	20.00 (508)	0.88 (022)	2.13 (054)	.19(5) SQ. x 1.38(35) LNG
4" 1622 (6)	2	4	5	10.00 (254)	8.00 (203)	5.00 (127)	7.00 (178)	1.88 (048)	2.50 (064)	2.69 (068)	3.31 (084)	0.75 (019)	0.44 (011)	4.56 (116)	11.00 (279)	11.75 (298)	17.25 (438)	24.13 (613)	1.13 (029)	3.13 (079)	.25(6) SQ. x 1.75(45) LNG
4" 1623 (6)	1	4	5	10.00 (254)	9.75 (248)	5.56 (141)	7.25 (184)	2.41 (061)	2.94 (075)	3.59 (091)	3.59 (091)	0.88 (022)	0.50 (013)	7.00 (178)	16.00 (406)	8.28 (210)	12.41 (315)	20.38 (518)	0.88 (022)	2.13 (054)	.19(5) SQ. x 1.38(35) LNG
4" 1623 (6)	2.3	4	5	10.00 (254)	9.75 (248)	5.56 (141)	7.25 (184)	2.41 (061)	2.94 (075)	3.59 (091)	3.59 (091)	0.88 (022)	0.50 (013)	7.00 (178)	16.00 (406)	11.28 (287)	16.78 (426)	24.75 (629)	1.13 (029)	3.13 (079)	.25(6) SQ. x 1.75(45) LNG
4" 1623 (6)	21	4	5	10.00 (254)	9.75 (248)	5.56 (141)	7.25 (184)	2.41 (061)	2.59 (066)	3.41 (087)	3.59 (091)	0.88 (022)	0.50 (013)	7.00 (178)	16.00 (406)	15.38 (391)	24.52 (623)	32.49 (825)	2.38 (060)	5.50 (140)	.63 (16) SQ x 4.00 (102) LNG
4" 1624 (6)	2	4	5	11.00 (279)	10.00 (254)	6.00 (152)	8.56 (218)	2.25 (057)	2.75 (070)	3.25 (083)	3.75 (095)	0.88 (022)	0.50 (013)	7.00 (178)	16.00 (406)	11.13 (283)	16.63 (422)	24.88 (632)	1.13 (029)	3.13 (079)	.25(6) SQ. x 1.75(45) LNG
4" 1624 (6)	21	4	5	11.00 (279)	10.00 (254)	6.00 (152)	8.56 (218)	2.25 (057)	2.75 (070)	3.25 (083)	3.75 (095)	0.88 (022)	0.50 (013)	7.00 (178)	16.00 (406)	15.25 (387)	24.38 (619)	32.63 (829)	2.38 (060)	5.50 (140)	.63 (16) SQ x 4.00 (102) LNG
5" 1621 (6)	1	5	6	10.00 (254)	8.50 (216)	5.81 (148)	6.25 (159)	2.81 (071)	1.56 (040)	3.63 (092)	2.38 (060)	0.69 (018)	0.44 (011)	4.56 (116)	11.00 (279)	8.50 (216)	12.62 (321)	21.25 (540)	0.88 (022)	2.13 (054)	.19(5) SQ. x 1.38(35) LNG
5" 1621 (6)	3	5	6	10.00 (254)	8.50 (216)	5.81 (148)	6.25 (159)	2.81 (071)	1.56 (040)	3.63 (092)	2.38 (060)	0.69 (018)	0.44 (011)	4.56 (116)	11.00 (279)	11.26 (286)	16.76 (426)	25.38 (645)	1.13 (029)	3.13 (079)	.25(6) SQ. x 1.75(45) LNG
5" 1622 (6)	1	5	6	11.00 (279)	10.00 (254)	6.00 (152)	7.50 (191)	2.19 (056)	2.81 (071)	3.19 (081)	3.19 (081)	0.88 (022)	0.50 (013)	7.00 (178)	16.00 (406)	9.06 (230)	13.19 (335)	21.38 (543)	0.88 (022)	2.13 (054)	.19(5) SQ. x 1.38(35) LNG
5" 1622 (6)	2.3	5	6	11.00 (279)	10.00 (254)	6.00 (152)	7.50 (191)	2.19 (056)	2.81 (071)	3.19 (081)	3.19 (081)	0.88 (022)	0.50 (013)	7.00 (178)	16.00 (406)	11.81 (300)	17.31 (440)	25.50 (648)	1.13 (029)	3.13 (079)	.25(6) SQ. x 1.75(45) LNG
5" 1623 (6)	2.3	5	6	11.00 (279)	10.50 (267)	5.44 (138)	7.94 (202)	2.59 (066)	2.41 (061)	3.44 (087)	3.56 (091)	0.88 (022)	0.50 (013)	7.00 (178)	16.00 (406)	11.22 (285)	16.72 (425)	24.75 (629)	1.13 (029)	3.13 (079)	.25(6) SQ. x 1.75(45) LNG
5" 1624 (6)	2	5	6	12.00 (305)	13.00 (330)	6.00 (152)	9.00 (229)	4.19 (106)	4.81 (122)	5.19 (132)	5.81 (148)	1.00 (025)	0.63 (016)	10.50 (267)	23.00 (584)	9.69 (246)	15.19 (386)	25.38 (645)	1.13 (029)	3.13 (079)	.25(6) SQ. x 1.75(45) LNG
6" 1621 (6)	2.3	6	8	11.00 (279)	10.50 (267)	7.00 (178)	8.25 (210)	3.13 (079)	1.88 (048)	4.13 (105)	2.88 (073)	0.88 (022)	0.50 (013)	7.00 (178)	16.00 (406)	11.44 (291)	16.94 (430)	27.06 (687)	1.13 (029)	3.13 (079)	.25(6) SQ. x 1.75(45) LNG
6" 1622 (6)	3	6	8	12.00 (305)	11.00 (279)	6.13 (156)	8.47 (215)	4.63 (117)	4.38 (111)	5.63 (143)	5.38 (137)	1.00 (025)	0.63 (016)	10.50 (267)	23.00 (584)	9.56 (243)	15.06 (383)	25.81 (656)	1.13 (029)	3.13 (079)	.25(6) SQ. x 1.75(45) LNG
6" 1623 (6)	21	6	8	12.63 (7) (321)	13.38 (7) (340)	6.50 (165)	9.31 (237)	4.50 (114)	4.50 (114)	5.50 (140)	5.50 (140)	1.00 (025)	0.63 (016)	10.50 (267)	23.00 (584)	16.06 (408)	22.56 (573)	33.56 (852)	2.38 (060)	5.50 (140)	.63(16) SQ x 4.00(102) LNG
8" 1622 (6)	21	8	10	15.00 (381)	14.00 (356)	8.00 (203)	11.00 (279)	4.50 (114)	4.50 (114)	5.50 (140)	5.50 (140)	1.00 (025)	0.63 (016)	10.50 (267)	23.00 (584)	15.88 (403)	22.38 (568)	34.88 (886)	2.38 (060)	5.50 (140)	.63(16) SQ x 4.00(102) LNG

Dimensional Data – Models 1620 and 1650 End Suction Pumps Setting Plans



1620 W/OPTIONAL BASE, COUPLING, AND MOTOR

Pump Size	Discharge	Suction	D	X	Y	Z	CP	Motor Frame	C Approx.	HL	P.F. 1	P.F. 2	P.F. 3	P.F. 21A	Steel Base No.	Drip Rim Base No.
1-1/4" 1621 (NPT)	1.25	1.5	7.00 (178)	5.00 (127)	3.25 (83)	4.50 (114)	17.81 (452)	56	12.00 (305)	1.00 (25)	X				1	4
								143T	13.00 (330)	1.00 (25)	X				2	5
								145T	14.00 (356)	1.00 (25)	XXX				2	5
								182T	15.00 (381)	1.00 (25)	XX				2	5
								184T	15.00 (381)	1.00 (25)	XX				2	5
								213T	18.00 (457)	1.00 (25)	XX				3	6
								215T	19.00 (483)	1.00 (25)	XX				3	6
								254T	24.00 (610)	1.00 (25)	XX				4	8
1-1/2" 1621 (NPT)	1.5	2	7.00 (178)	6.00 (152)	3.13 (80)	4.63 (118)	18.16 (461)	56	12.00 (305)	1.00 (25)	X				1	4
								143T	13.00 (330)	1.00 (25)	XXX				2	5
								145T	14.00 (356)	1.00 (25)	XXX				2	5
								182T	15.00 (381)	1.00 (25)	XX				2	5
								184T	15.00 (381)	1.00 (25)	XX				2	5
								213T	18.00 (457)	1.00 (25)	XX				3	6
								215T	19.00 (483)	1.00 (25)	XX				3	6
								254T	24.00 (610)	1.00 (25)	XX				4	8
1-1/2" 1622 (NPT)	1.5	2	8.00 (203)	9.00 (229)	3.13 (80)	5.75 (146)	18.05 (458)	143T	13.00 (330)	2.50 (64)	X				2	5
								145T	14.00 (356)	2.50 (64)	X				2	5
								182T	15.00 (381)	2.50 (64)	X				3	6
								184T	15.00 (381)	2.50 (64)	X				3	6
								213T	18.00 (457)	2.50 (64)	X				3	6
								213T	18.00 (457)	2.50 (64)		XX			5	9
								215T	19.00 (483)	2.50 (64)		XX			5	9
								254T	24.00 (610)	2.50 (64)		XX			6	9
							23.19 (589)	256T	25.00 (635)	2.50 (64)		XX			6	9
								284T	27.00 (686)	2.50 (64)		XX			7	10
								284TS	25.00 (635)	2.50 (64)		XX			7	10
								286T	28.00 (711)	2.50 (64)		XX			7	10
								286TS	26.00 (660)	2.50 (64)		XX			7	10
								324T	29.00 (737)	2.50 (64)		XX			12	12
								324TS	28.00 (711)	2.50 (64)		XX			12	12
								326T	31.00 (787)	2.50 (64)		XX			12	12
326TS	29.00 (737)	2.50 (64)		XX			12	12								
1-1/2" 1623 (NPT)	1.5	2	10.00 (254)	7.75 (197)	2.75 (70)	5.75 (146)	17.85 (453)	182T	15.00 (381)	3.00 (76)	X				3	6
								184T	15.00 (381)	3.00 (76)	X				3	6
								213T	18.00 (457)	3.00 (76)	X				4	8
								215T	19.00 (483)	3.00 (76)	X				4	8
								254T	24.00 (610)	3.00 (76)	X				5	9

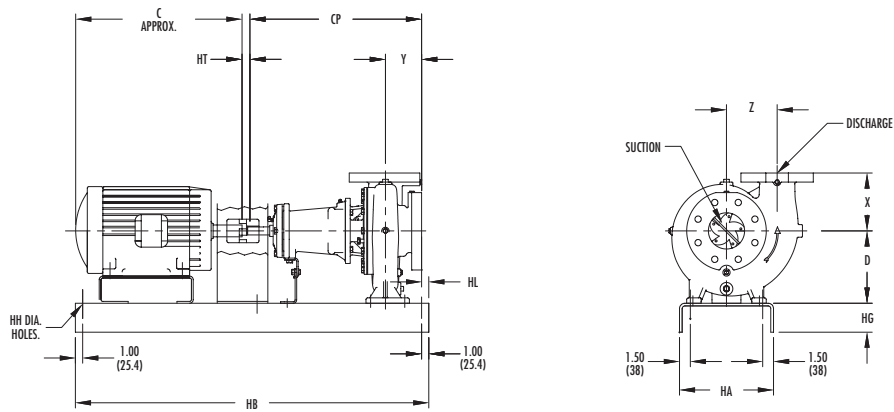
NOTES:

1. Dimensions are approximate.
2. All dimensions are in inches (mm) and may vary ± 1/4 (6).
3. Conduit box is shown in approximate position. Dimensions are not specified as they vary with each motor manufacturer.

4. Not for construction purposes unless certified.
5. Available in 250 lb./125 lb. flanges.
6. X - for 1750 RPM applications
XX - for 3550 RPM applications
XXX - for 1750 and 3550 RPM applications

7. HT is based on Fairbanks Nijhuis® standard coupling. HT may vary from .25 to 3.25".
8. 00 - 2950 RPM operation only.

Dimensional Data – Models 1620 and 1650 End Suction Pumps Setting Plans



1620 W/OPTIONAL BASE, COUPLING, AND MOTOR

Pump Size	Discharge	Suction	D	X	Y	Z	CP	Motor Frame	C Approx.	HL	P.F. 1	P.F. 2	P.F. 3	P.F. 21A	Steel Base No.	Drip Rim Base No.
2" 1621 (5)	2	2.5	7.00 (178)	6.50 (165)	3.50 (89)	4.75 (121)	18.70 (475)	143T	13.00 (330)	1.00 (25)	X				2	5
								145T	14.00 (356)	1.00 (25)	X				2	5
								182T	15.00 (381)	1.00 (25)	XXX				3	6
								184T	15.00 (381)	1.00 (25)	XX				3	6
								213T	18.00 (457)	1.00 (25)	XX				3	6
								215T	19.00 (483)	1.00 (25)	XX				3	6
								254T	24.00 (610)	1.00 (25)	XX				5	9
2" 1622 (5)	2	2.5	8.00 (203)	7.00 (178)	4.00 (102)	5.88 (149)	19.07 (484)	145T	14.00 (356)	1.50 (38)	X				2	5
								182T	15.00 (381)	1.50 (38)	X				3	6
								184T	15.00 (381)	1.50 (38)	X				3	6
								213T	18.00 (457)	1.50 (38)	X				3	6
								215T	19.00 (483)	1.50 (38)		XX			5	9
								254T	24.00 (610)	1.50 (38)		XX			6	9
							23.22 (590)	256T	25.00 (635)	1.50 (38)		XX			6	9
								284T	27.00 (686)	1.50 (38)		XX			7	10
								284TS	25.00 (635)	1.50 (38)		XX			7	10
								286T	28.00 (711)	1.50 (38)		XX			7	10
								286TS	26.00 (660)	1.50 (38)		XX			7	10
								324T	29.00 (737)	1.50 (38)		XX			12	12
								324TS	28.00 (711)	1.50 (38)		XX			12	12
								326T	31.00 (787)	1.50 (38)		XX			12	12
2" 1623 (5)	2	3	10.00 (254)	8.00 (203)	5.50 (140)	6.50 (165)	20.22 (514)	182T	15.00 (381)	1.00 (25)	X				8	11
								184T	15.00 (381)	1.00 (25)	X				8	11
								213T	18.00 (457)	1.00 (25)	X				9	11
								215T	19.00 (483)	1.00 (25)	X				9	11
								254T	24.00 (610)	1.00 (25)	X				10	11
							24.59 (625)	284T	27.00 (686)	1.00 (25)			XX		12	12
								284TS	25.00 (635)	1.00 (25)			XX		12	12
								286T	28.00 (711)	1.00 (25)			XX		12	12
								286TS	26.00 (660)	1.00 (25)			XX		12	12
								324T	29.00 (737)	1.00 (25)			XX		12	12
11.00 (279)	324TS	28.00 (711)	1.00 (25)			XX		12	12							
	326T	31.00 (787)	1.00 (25)			XX		12	12							
	326TS	29.00 (737)	1.00 (25)			XX		12	12							
	364TS	31.00 (787)	1.00 (25)			XX		14	16							
	365TS	32.00 (813)	1.00 (25)			XX		14	16							
	404TS	34.00 (864)	1.00 (25)			XX		15	16							
	405TS	36.00 (914)	1.00 (25)			XX		15	16							
	444TS	41.00 (1041)	1.00 (25)			XX		18	21							

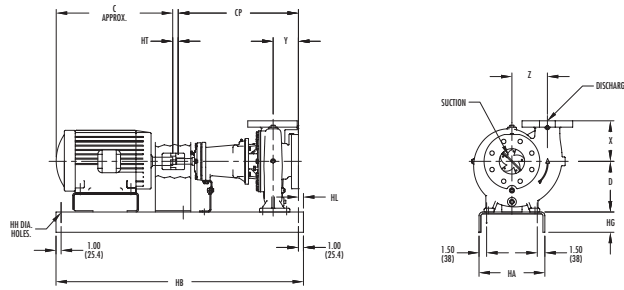
NOTES:

- Dimensions are approximate.
- All dimensions are in inches (mm) and may vary $\pm 1/4$ (6).
- Conduit box is shown in approximate position. Dimensions are not specified as they vary with each motor manufacturer.

- Not for construction purposes unless certified.
- Available in 250 lb./125 lb. flanges.
- X – for 1750 RPM applications
XX – for 3550 RPM applications
XXX – for 1750 and 3550 RPM applications

- HT is based on Fairbanks Nijhuis® standard coupling. HT may vary from .25 to 3.25".
- 00 – 2950 RPM operation only.

Dimensional Data – Models 1620 and 1650 End Suction Pumps / Setting Plans



1620 W/OPTIONAL BASE, COUPLING, AND MOTOR

Pump Size	Discharge	Suction	D	X	Y	Z	CP	Motor Frame	C Approx.	HL	P.F. 1	P.F. 2	P.F. 3	P.F. 21A	Steel Base No.	Drip Rim Base No.
2" 1624 (5)	2	3	10.00 (254)	9.00 (229)	5.50 (140)	7.25 (184)	24.65 (626)	184T	15.00 (381)	1.00 (25)				X	10	11
								213T	18.00 (457)	1.00 (25)			X	10	11	
								215T	19.00 (483)	1.00 (25)			X	10	11	
								254T	24.00 (610)	1.00 (25)			X	11	12	
								256T	25.00 (635)	1.00 (25)			X	11	12	
								284T	27.00 (686)	1.00 (25)			X	11	12	
2-1/2" 1621 (5)	2.5	3	7.00 (178)	6.00 (152)	4.25 (108)	4.69 (119)	19.38 (492)	143T	13.00 (330)	1.00 (25)	X				2	5
								145T	14.00 (356)	1.00 (25)	X			2	5	
								182T	15.00 (381)	1.00 (25)	XXX			3	6	
								184T	15.00 (381)	1.00 (25)	XXX			3	6	
								213T	18.00 (457)	1.00 (25)	XX			3	6	
								215T	19.00 (483)	1.00 (25)	XX			3	6	
							23.49 (597)	254T	24.00 (610)	1.00 (25)		XX		6	9	
								256T	25.00 (635)	1.00 (25)		XX		6	9	
								284T	27.00 (686)	1.00 (25)		XX		11	12	
								284TS	25.00 (635)	1.00 (25)		XX		11	12	
								286T	28.00 (711)	1.00 (25)		XX		11	12	
								286TS	26.00 (660)	1.00 (25)		XX		11	12	
2-1/2" 1622 (5)	2.5	3	8.00 (203)	6.75 (171)	4.00 (102)	6.00 (152)	19.22 (488)	182T	15.00 (381)	1.50 (38)	X				3	6
								184T	15.00 (381)	1.50 (38)	X			3	6	
								213T	18.00 (457)	1.50 (38)	X			3	6	
								215T	19.00 (483)	1.50 (38)	X			4	8	
								254T	24.00 (610)	1.50 (38)	X			5	9	
								254T	24.00 (610)	1.50 (38)			XX	6	9	
							23.37 (594)	256T	25.00 (635)	1.50 (38)			XX	6	9	
								284T	27.00 (686)	1.50 (38)			XX	7	10	
								284TS	25.00 (635)	1.50 (38)			XX	7	10	
								286T	28.00 (711)	1.50 (38)			XX	7	10	
			286TS					26.00 (660)	1.50 (38)			XX	7	10		
			324T					29.00 (737)	1.50 (38)			XX	12	12		
			324TS					28.00 (711)	1.50 (38)			XX	12	12		
			326T					31.00 (787)	1.50 (38)			XX	12	12		
			326TS					29.00 (737)	1.50 (38)			XX	12	12		
			364TS					31.00 (787)	1.50 (38)			XX	14	16		
			365TS					32.00 (813)	1.50 (38)			XX	14	16		
			404TS					34.00 (864)	1.50 (38)			XX	14	16		
			405TS					36.00 (914)	1.50 (38)			XX	14	16		
			2-1/2" 1623 (5)					2.5	3	10.00 (254)	9.00 (229)	6.00 (152)	8.00 (203)	25.28 (642)	184T	15.00 (381)
213T	18.00 (457)	1.00 (25)				X	10								11	
215T	19.00 (483)	1.00 (25)				X	10								11	
254T	24.00 (610)	1.00 (25)				X	11								12	
256T	25.00 (635)	1.00 (25)				X	11								12	
284T	27.00 (686)	1.00 (25)				X	11								12	
284TS	25.00 (635)	1.00 (25)				X	11								12	
286T	28.00 (711)	1.00 (25)				X	12								12	
286TS	26.00 (660)	1.00 (25)				X	12								12	

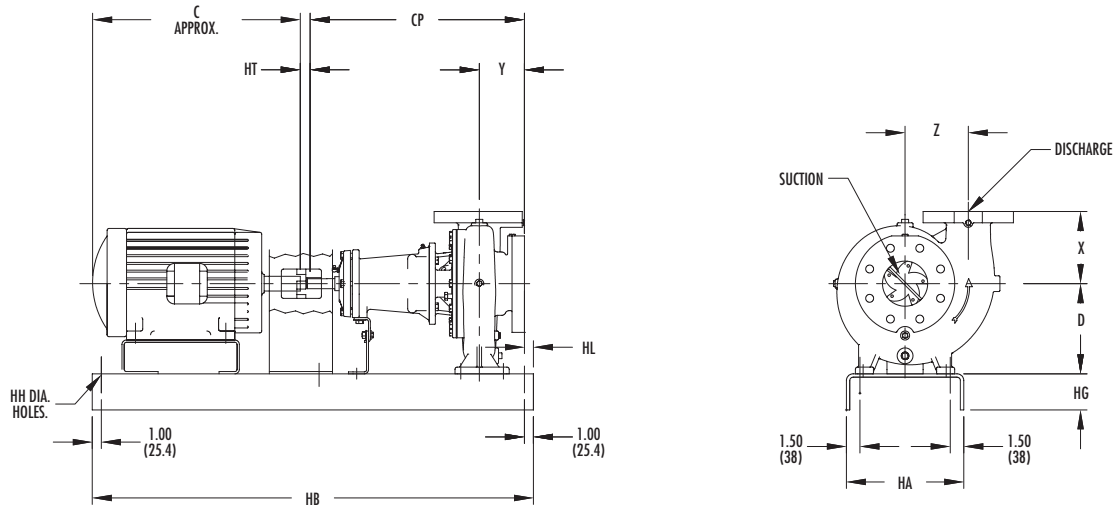
NOTES:

1. Dimensions are approximate.
2. All dimensions are in inches (mm) and may vary ± 1/4 (6).
3. Conduit box is shown in approximate position. Dimensions are not specified as they vary with each motor manufacturer.

4. Not for construction purposes unless certified.
5. Available in 250 lb./125 lb. flanges.
6. X - for 1750 RPM applications
XX - for 3550 RPM applications
XXX - for 1750 and 3550 RPM applications

7. HT is based on Fairbanks Nijhuis® standard coupling. HT may vary from .25 to 3.25".
8. 00 - 2950 RPM operation only.

Dimensional Data – Models 1620 and 1650 End Suction Pumps / Setting Plans



1620 W/OPTIONAL BASE, COUPLING, AND MOTOR

Pump Size	Discharge	Suction	D	X	Y	Z	CP	Motor Frame	C Approx.	HL	P.F. 1	P.F. 2	P.F. 3	P.F. 21A	Steel Base No.	Drip Rim Base No.
3" 1621 (5)	3	4	7.00 (178)	6.00 (152)	4.13 (105)	5.00 (127)	19.11 (485)	143T	13.00 (330)	1.00 (25)	X				2	5
								145T	14.00 (356)	1.00 (25)	X				2	5
								182T	15.00 (381)	1.00 (25)	X				3	6
								184T	15.00 (381)	1.00 (25)	X				3	6
								213T	18.00 (457)	1.00 (25)	X				3	6
								213T	18.00 (457)	1.00 (25)		XX			5	9
								215T	19.00 (483)	1.00 (25)		XX			5	9
			254T	24.00 (610)	1.00 (25)		XX			6	9					
			256T	25.00 (635)	1.00 (25)		XX			6	9					
			284T	27.00 (686)	1.00 (25)		XX			11	12					
			284TS	25.00 (635)	1.00 (25)		XX			11	12					
			286T	28.00 (711)	1.00 (25)		XX			11	12					
			286TS	26.00 (660)	1.00 (25)		XX			11	12					
			324T	29.00 (737)	1.00 (25)		XX			12	12					
324TS	28.00 (711)	1.00 (25)		XX			12	12								
3" 1622 (5)	3	4	8.00 (203)	7.50 (191)	4.75 (121)	6.13 (156)	19.72 (501)	182T	15.00 (381)	1.00 (25)	X				3	6
								184T	15.00 (381)	1.00 (25)	X				3	6
								213T	18.00 (457)	1.00 (25)	X				3	6
								215T	19.00 (483)	1.00 (25)	X				4	8
								254T	24.00 (610)	1.00 (25)	X				5	9
								286TS	26.00 (660)	1.00 (25)			XX		7	10
								324T	29.00 (737)	1.00 (25)			XX		12	12
			324TS	28.00 (711)	1.00 (25)			XX		12	12					
			326T	31.00 (787)	1.00 (25)			XX		12	12					
			326TS	29.00 (737)	1.00 (25)			XX		12	12					
			364TS	31.00 (787)	1.00 (25)			XX		14	16					
			365TS	32.00 (813)	1.00 (25)			XX		14	16					
			404TS	34.00 (864)	1.00 (25)			XX		14	16					
			405TS	36.00 (914)	1.00 (25)			XX		14	16					
			444TS	41.00 (1041)	1.00 (25)			XX		15	16					
			445T	46.00 (1168)	1.00 (25)			XX		20	17					
			445TS	42.00 (1067)	1.00 (25)			XX		15	16					

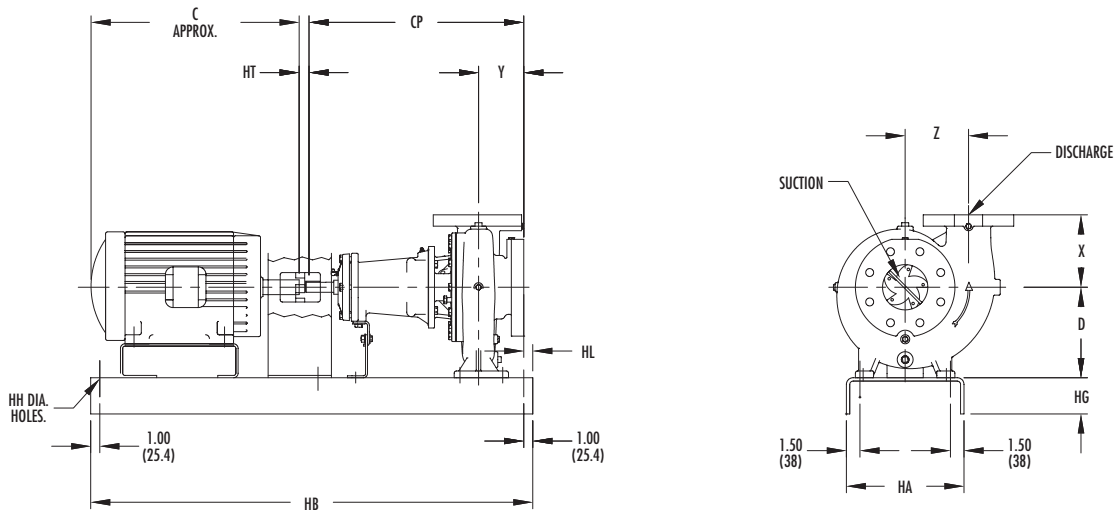
NOTES:

1. Dimensions are approximate.
2. All dimensions are in inches (mm) and may vary $\pm 1/4$ (6).
3. Conduit box is shown in approximate position. Dimensions are not specified as they vary with each motor manufacturer.

4. Not for construction purposes unless certified.
5. Available in 250 lb./125 lb. flanges.
6. X - for 1750 RPM applications
XX - for 3550 RPM applications
XXX - for 1750 and 3550 RPM applications

7. HT is based on Fairbanks Nijhuis® standard coupling. HT may vary from .25 to 3.25".
8. 00 - 2950 RPM operation only.

Dimensional Data – Models 1620 and 1650 End Suction Pumps / Setting Plans

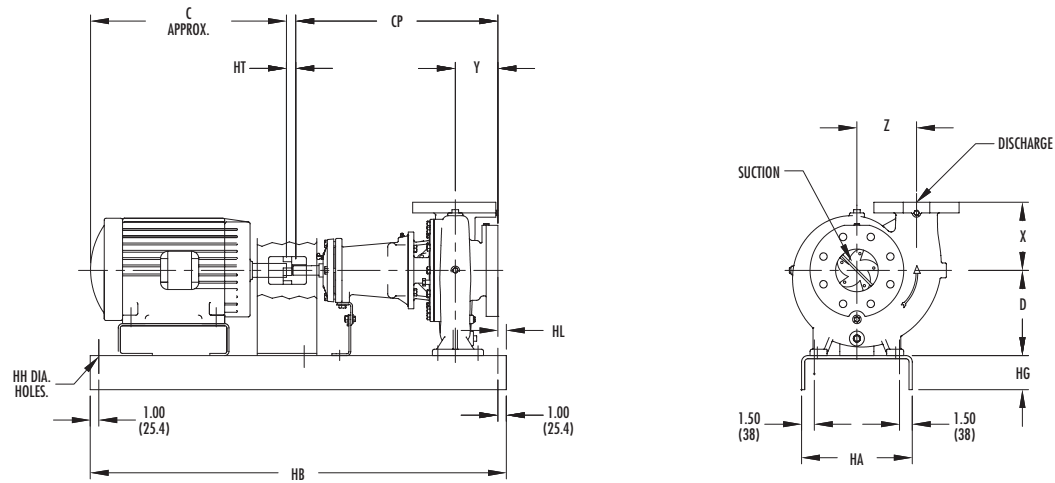


1620 W/OPTIONAL BASE, COUPLING, AND MOTOR

Pump Size	Discharge	Suction	D	X	Y	Z	CP	Motor Frame	C Approx.	HL	P.F. 1	P.F. 2	P.F. 3	P.F. 21A	Steel Base No.	Drip Rim Base No.
3" 1623 (5)	3	4	10.00 (254)	9.50 (241)	5.50 (140)	7.38 (187)	24.59 (625)	184T	15.00 (381)	1.00 (25)	X				8	11
								213T	18.00 (457)	1.00 (25)	X				9	11
								215T	19.00 (483)	1.00 (25)	X				9	11
								254T	24.00 (610)	1.00 (25)	X				10	11
								256T	25.00 (635)	1.00 (25)	X				10	11
								284TS	25.00 (635)	1.00 (25)			XX		12	12
								286T	28.00 (711)	1.00 (25)			XX		12	12
								286TS	26.00 (660)	1.00 (25)			XX		12	12
								324T	29.00 (737)	1.00 (25)			XX		12	12
								324TS	28.00 (711)	1.00 (25)			XX		12	12
			326T	31.00 (787)	1.00 (25)			XX		12	12					
			326TS	29.00 (737)	1.00 (25)			XX		12	12					
			364TS	31.00 (787)	1.00 (25)			XX		14	16					
			365TS	32.00 (813)	1.00 (25)			XX		14	16					
			404TS	34.00 (864)	1.00 (25)			XX		15	16					
			405TS	36.00 (914)	1.00 (25)			XX		15	16					
			444TS	41.00 (1041)	1.00 (25)			XX		18	21					
			445T	46.00 (1168)	1.00 (25)			XX		18	21					
			445TS	42.00 (1067)	1.00 (25)			XX		18	21					
			3" 1624 (5)	3	4	10.00 (254)	9.50 (241)	5.63 (143)	8.00 (203)	24.84 (631)	213T	18.00 (457)	1.00 (25)			X
215T	19.00 (483)	1.00 (25)											X		10	11
254T	24.00 (610)	1.00 (25)											X		11	12
256T	25.00 (635)	1.00 (25)											X		11	12
284T	27.00 (686)	1.00 (25)											X		12	12
284TS	25.00 (635)	1.00 (25)											X		12	12
286T	28.00 (711)	1.00 (25)											X		12	12
286TS	26.00 (660)	1.00 (25)											X		12	12
324T	29.00 (737)	1.00 (25)											X		12	12
324TS	28.00 (711)	1.00 (25)											X		12	12
364TS	31.00 (787)	1.00 (25)								00	14	16				
365TS	32.00 (813)	1.00 (25)								00	14	16				
404TS	34.00 (864)	1.00 (25)								00	15	16				
405TS	36.00 (914)	1.00 (25)								00	15	16				
444TS	41.00 (1041)	1.00 (25)								00	18	21				
445T	46.00 (1168)	1.00 (25)								00	18	21				
445TS	42.00 (1067)	1.00 (25)								00	18	21				
447T	52.00 (1321)	1.00 (25)								00	19	21				
447TS	49.00 (1245)	1.00 (25)								00	19	21				

- NOTES:
- Dimensions are approximate.
 - All dimensions are in inches (mm) and may vary $\pm 1/4$ (6).
 - Conduit box is shown in approximate position. Dimensions are not specified as they vary with each motor manufacturer.
 - Not for construction purposes unless certified.
 - Available in 250 lb./125 lb. flanges.
 - X - for 1750 RPM applications
XX - for 3550 RPM applications
XXX - for 1750 and 3550 RPM applications
 - HT is based on Fairbanks Nijhuis® standard coupling. HT may vary from .25 to 3.25".
 - 00 - 2950 RPM operation only.

Dimensional Data – Models 1620 and 1650 End Suction Pumps/Setting Plans



1620 W/OPTIONAL BASE, COUPLING, AND MOTOR

Pump Size	Discharge	Suction	D	X	Y	Z	CP	Motor Frame	C Approx.	HL	P.F. 1	P.F. 2	P.F. 3	P.F. 21A	Steel Base No.	Drip Rim Base No.				
4" 1621 (5)	4	5	8.00 (203)	7.50 (191)	4.94 (125)	5.75 (146)	20.16 (512)	145T	14.00 (356)	1.00 (25)	X				2	5				
								182T	15.00 (381)	1.00 (25)	X				3	6				
								184T	15.00 (381)	1.00 (25)	X				3	6				
								213T	18.00 (457)	1.00 (25)	X				3	6				
								215T	19.00 (483)	1.00 (25)	X				4	8				
							215T	19.00 (483)	1.00 (25)		XX			5	9					
							254T	24.00 (610)	1.00 (25)		XX			6	9					
							256T	25.00 (635)	1.00 (25)		XX			6	9					
							284T	27.00 (686)	1.00 (25)		XX			7	10					
							284TS	25.00 (635)	1.00 (25)		XX			7	10					
			24.28 (617)	286T	28.00 (711)	1.00 (25)		XX			7	10								
				286TS	26.00 (660)	1.00 (25)		XX			7	10								
				324T	29.00 (737)	1.00 (25)		XX			12	12								
				324TS	28.00 (711)	1.00 (25)		XX			12	12								
				326T	31.00 (787)	1.00 (25)		XX			12	12								
				326TS	29.00 (737)	1.00 (25)		XX			12	12								
				364TS	31.00 (787)	1.00 (25)		XX			14	16								
				365TS	32.00 (813)	1.00 (25)		XX			14	16								
				4" 1622 (5)	4	5	10.00 (254)	8.00 (203)	5.00 (127)	7.00 (178)	19.97 (507)	213T	18.00 (457)	1.00 (25)	X				4	8
												215T	19.00 (483)	1.00 (25)	X				4	8
254T	24.00 (610)	1.00 (25)	X												5	9				
256T	25.00 (635)	1.00 (25)	X											5	9					
24.12 (613)	284TS	25.00 (635)	1.00 (25)									XX			12	12				
	286T	28.00 (711)	1.00 (25)									XX			12	12				
	286TS	26.00 (660)	1.00 (25)									XX			12	12				
	324T	29.00 (737)	1.00 (25)									XX			12	12				
	324TS	28.00 (711)	1.00 (25)									XX			12	12				
	326T	31.00 (787)	1.00 (25)					XX			12	12								
	326TS	29.00 (737)	1.00 (25)					XX			12	12								
	364TS	31.00 (787)	1.00 (25)					XX			14	16								
	365TS	32.00 (813)	1.00 (25)					XX			14	16								
11.00 (279)	404TS	34.00 (864)	1.00 (25)					XX			15	16								
	405TS	36.00 (914)	1.00 (25)					XX			15	16								
	444TS	41.00 (1041)	1.00 (25)					XX			18	21								
	445T	46.00 (1168)	1.00 (25)					XX			18	21								
	445TS	42.00 (1067)	1.00 (25)					XX			18	21								
	447T	52.00 (1321)	1.00 (25)		XX			19	21											
447TS	49.00 (1245)	1.00 (25)		XX			19	21												

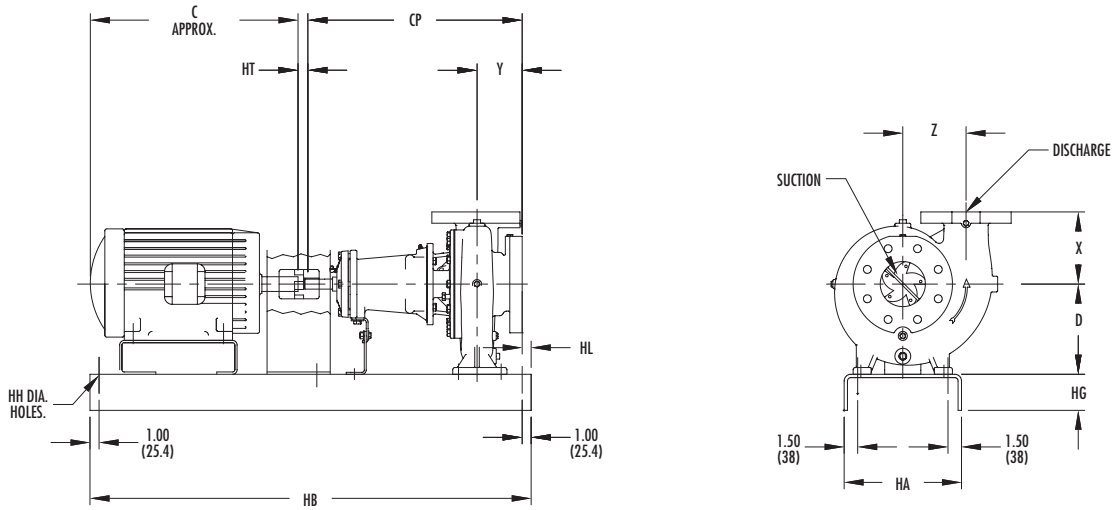
NOTES:

- Dimensions are approximate.
- All dimensions are in inches (mm) and may vary $\pm 1/4$ (6).
- Conduit box is shown in approximate position. Dimensions are not specified as they vary with each motor manufacturer.

- Not for construction purposes unless certified.
- Available in 250 lb./125 lb. flanges.
- X - for 1750 RPM applications
XX - for 3550 RPM applications
XXX - for 1750 and 3550 RPM applications

- HT is based on Fairbanks Nijhuis® standard coupling. HT may vary from .25 to 3.25".
- 00 - 2950 RPM operation only.

Dimensional Data – Models 1620 and 1650 End Suction Pumps / Setting Plans



1620 W/OPTIONAL BASE, COUPLING, AND MOTOR

Pump Size	Discharge	Suction	D	X	Y	Z	CP	Motor Frame	C Approx.	HL	P.F. 1	P.F. 2	P.F. 3	P.F. 21A	Steel Base No.	Drip Rim Base No.						
4" 1623 (5)	4	5	10.00 (254)	9.75 (248)	5.56 (141)	7.25 (184)	20.35 (517)	213T	18.00 (457)	1.00 (25)	X				9	11						
								215T	19.00 (483)	1.00 (25)	X				9	11						
								254T	24.00 (610)	1.00 (25)	X				10	11						
													24.72 (628)	256T	25.00 (635)	1.00 (25)		X			11	12
														284T	27.00 (686)	1.00 (25)		X			12	12
														284TS	25.00 (635)	1.00 (25)		X			12	12
														286T	28.00 (711)	1.00 (25)		X			12	12
														286TS	26.00 (660)	1.00 (25)		X	00		12	12
														324T	29.00 (737)	1.00 (25)		X	00		12	12
														324TS	28.00 (711)	1.00 (25)		X	00		12	12
														326T	31.00 (787)	1.00 (25)			00		12	12
														326TS	29.00 (737)	1.00 (25)			00		12	12
									364TS	31.00 (787)	1.00 (25)				00		14	16				
									365TS	32.00 (813)	1.00 (25)				00		14	16				
									404TS	34.00 (864)	1.00 (25)				00		15	16				
									405TS	36.00 (914)	1.00 (25)			00		15	16					
						11.00 (279)				444TS	41.00 (1041)	1.00 (25)			00		18	21				
										445T	46.00 (1168)	1.00 (25)			00		18	21				
										445TS	42.00 (1067)	1.00 (25)			00		18	21				
										447T	52.00 (1321)	1.00 (25)			00		19	21				
										447TS	49.00 (1245)	1.00 (25)			00		19	21				
						10.00 (254)				32.49 (825)	364TS	31.00 (787)	1.00 (25)				XX	15	16			
									365TS		32.00 (813)	1.00 (25)					XX	15	16			
									404TS		34.00 (864)	1.00 (25)					XX	18	21			
						405TS	36.00 (914)	1.00 (25)						XX	18	21						
						444TS	41.00 (1041)	1.00 (25)						XX	19	21						
						445T	46.00 (1168)	1.00 (25)						XX	19	21						
			11.00 (279)					445TS	42.00 (1067)	1.00 (25)				XX	19	21						
								447T	52.00 (1321)	1.00 (25)				XX	23	23						
								447TS	49.00 (1245)	1.00 (25)				XX	23	23						
								449TS	49.00 (1245)	1.00 (25)				XX	23	23						

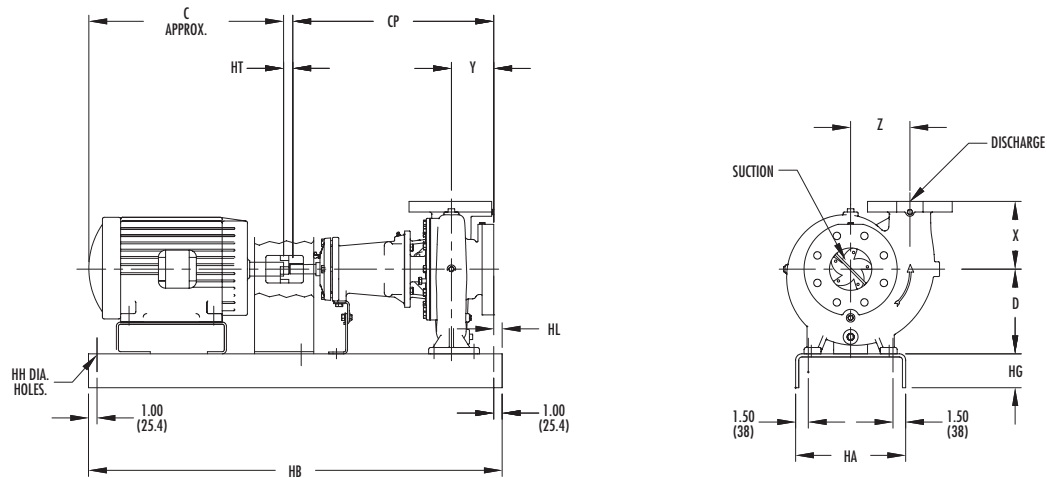
NOTES:

- Dimensions are approximate.
- All dimensions are in inches (mm) and may vary $\pm 1/4$ (6).
- Conduit box is shown in approximate position. Dimensions are not specified as they vary with each motor manufacturer.

- Not for construction purposes unless certified.
- Available in 250 lb./125 lb. flanges.
- X - for 1750 RPM applications
XX - for 3550 RPM applications
XXX - for 1750 and 3550 RPM applications

- HT is based on Fairbanks Nijhuis® standard coupling. HT may vary from .25 to 3.25".
- 00 - 2950 RPM operation only.

Dimensional Data – Models 1620 and 1650 End Suction Pumps / Setting Plans



1620 W/OPTIONAL BASE, COUPLING, AND MOTOR

Pump Size	Discharge	Suction	D	X	Y	Z	CP	Motor Frame	C Approx.	HL	P.F. 1	P.F. 2	P.F. 3	P.F. 21A	Steel Base No.	Drip Rim Base No.		
4" 1624 (5)	4	5	11.00 (279)	10.00 (254)	6.00 (152)	8.56 (217)	24.84 (631)	254T	24.00 (610)	1.00 (25)			X		11	12		
								256T	25.00 (635)	1.00 (25)			X		11	12		
								284T	27.00 (686)	1.00 (25)			X		12	12		
								284TS	25.00 (635)	1.00 (25)				X	12	12		
								286T	28.00 (711)	1.00 (25)			X		12	12		
								286TS	26.00 (660)	1.00 (25)				X	12	12		
								324T	29.00 (737)	1.00 (25)				X	12	12		
								324TS	28.00 (711)	1.00 (25)				X	12	12		
								326T	31.00 (787)	1.00 (25)				X	12	12		
								326TS	29.00 (737)	1.00 (25)					X	12	12	
							364TS	31.00 (787)	1.00 (25)					X	14	16		
							32.63 (829)	365TS	32.00 (813)	1.00 (25)						00	15	16
								404TS	34.00 (864)	1.00 (25)						00	18	21
								405TS	36.00 (914)	1.00 (25)						00	18	21
								444TS	41.00 (1041)	1.00 (25)						00	19	21
								445T	46.00 (1168)	1.00 (25)						00	19	21
								445TS	42.00 (1067)	1.00 (25)						00	19	21
								447T	52.00 (1321)	1.00 (25)						00	23	23
								447TS	49.00 (1245)	1.00 (25)						00	23	23
								449TS	49.00 (1245)	1.00 (25)						00	23	23
5" 1621 (5)	5	6	10.00 (254)	8.50 (216)	5.81 (148)	6.25 (159)		21.28 (541)	182T	15.00 (381)	1.00 (25)	X				3	6	
							184T		15.00 (381)	1.00 (25)	X				3	6		
							25.39 (645)	213T	18.00 (457)	1.00 (25)			X		10	11		
								215T	19.00 (483)	1.00 (25)			X		10	11		
								254T	24.00 (610)	1.00 (25)				XX	11	12		
								256T	25.00 (635)	1.00 (25)				XX	11	12		
								284T	27.00 (686)	1.00 (25)				XX	12	12		
								284TS	25.00 (635)	1.00 (25)				XX	12	12		
								286T	28.00 (711)	1.00 (25)				XX	12	12		
								286TS	26.00 (660)	1.00 (25)				XX	12	12		
								324T	29.00 (737)	1.00 (25)				XX	13	13		
								324TS	28.00 (711)	1.00 (25)				XX	13	13		
								326T	31.00 (787)	1.00 (25)				XX	13	13		
								326TS	29.00 (737)	1.00 (25)				XX	13	13		
								364TS	31.00 (787)	1.00 (25)				XX	14	16		
								365TS	32.00 (813)	1.00 (25)				XX	14	16		

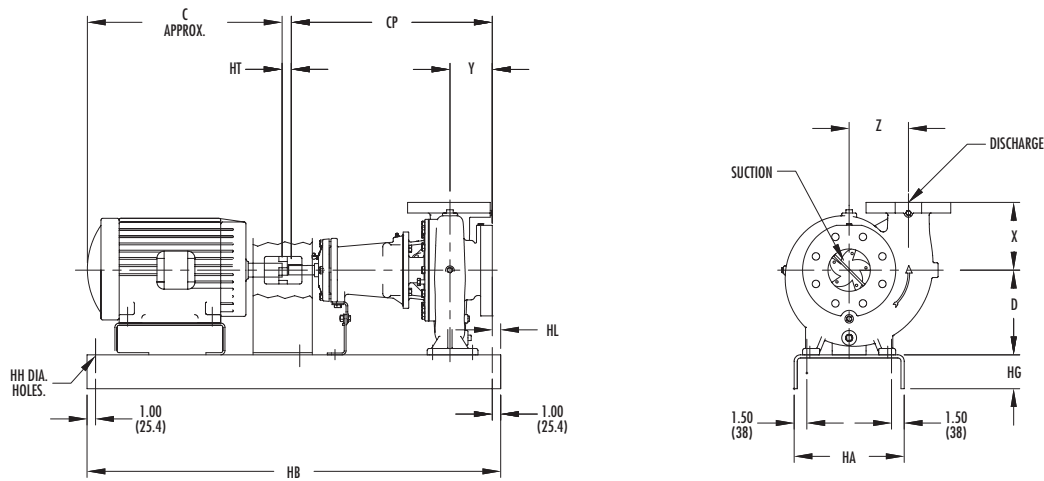
NOTES:

1. Dimensions are approximate.
2. All dimensions are in inches (mm) and may vary $\pm 1/4$ (6).
3. Conduit box is shown in approximate position. Dimensions are not specified as they vary with each motor manufacturer.

4. Not for construction purposes unless certified.
5. Available in 250 lb./125 lb. flanges.
6. X - for 1750 RPM applications
XX - for 3550 RPM applications
XXX - for 1750 and 3550 RPM applications

7. HT is based on Fairbanks Nijhuis® standard coupling. HT may vary from .25 to 3.25".
8. 00 - 2950 RPM operation only.

Dimensional Data – Models 1620 and 1650 End Suction Pumps / Setting Plans

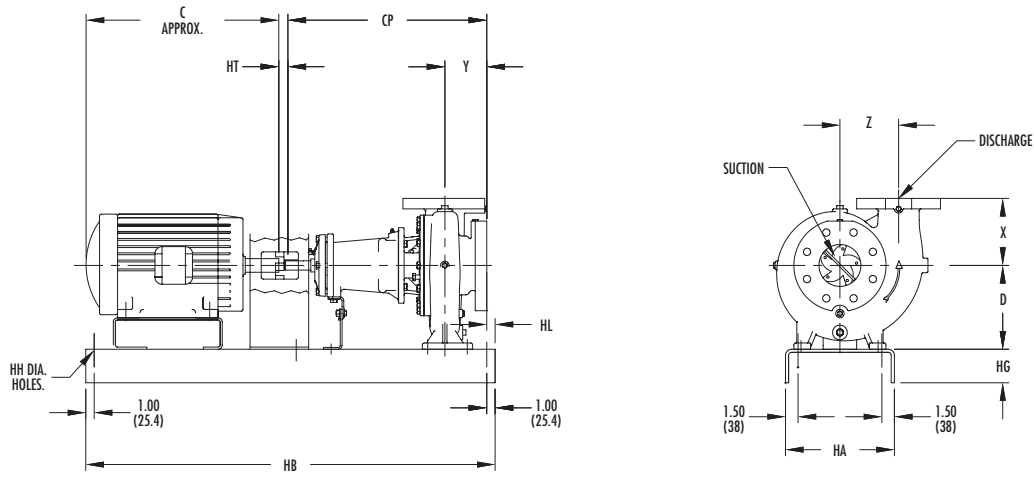


1620 W/OPTIONAL BASE, COUPLING, AND MOTOR

Pump Size	Discharge	Suction	D	X	Y	Z	CP	Motor Frame	C Approx.	HL	P.F. 1	P.F. 2	P.F. 3	P.F. 21A	Steel Base No.	Drip Rim Base No.
5" 1622 (5)	5	6	11.00 (279)	10.00 (254)	6.00 (152)	7.50 (191)	21.34 (542)	213T	18.00 (457)	1.00 (25)	X				9	11
								215T	19.00 (483)	1.00 (25)	X				9	11
								254T	24.00 (610)	1.00 (25)	X				10	11
								256T	25.00 (635)	1.00 (25)		X			11	12
								284T	27.00 (686)	1.00 (25)		X			12	12
								284TS	25.00 (635)	1.00 (25)		X			12	12
								286T	28.00 (711)	1.00 (25)		X			12	12
								286TS	26.00 (660)	1.00 (25)		X			12	12
								324TS	28.00 (711)	1.00 (25)			00		13	13
							326T	31.00 (787)	1.00 (25)			00		13	13	
							326TS	29.00 (737)	1.00 (25)			00		13	13	
							364TS	31.00 (787)	1.00 (25)			00		14	16	
							365TS	32.00 (813)	1.00 (25)			00		14	16	
							404TS	34.00 (864)	1.00 (25)			00		15	16	
							405TS	36.00 (914)	1.00 (25)			00		15	16	
							444TS	41.00 (1041)	1.00 (25)			00		18	21	
							445T	46.00 (1168)	1.00 (25)			00		18	21	
							445TS	42.00 (1067)	1.00 (25)			00		18	21	
5" 1623 (5)	5	6	11.00 (279)	10.50 (267)	5.44 (138)	7.94 (202)	24.65 (626)	254T	24.00 (610)	1.00 (25)		X			11	12
								256T	25.00 (635)	1.00 (25)		X			11	12
								284T	27.00 (686)	1.00 (25)		X			12	12
								284TS	25.00 (635)	1.00 (25)		X			12	12
								286T	28.00 (711)	1.00 (25)		X			12	12
								286TS	26.00 (660)	1.00 (25)		X			12	12
								324T	29.00 (737)	1.00 (25)		X			12	12
								324TS	28.00 (711)	1.00 (25)		X			12	12
								326T	31.00 (787)	1.00 (25)		X			12	12
								326TS	29.00 (737)	1.00 (25)		X			12	12
								365TS	32.00 (813)	1.00 (25)			00		14	16
								404TS	34.00 (864)	1.00 (25)			00		15	16
								405TS	36.00 (914)	1.00 (25)			00		15	16
								444TS	41.00 (1041)	1.00 (25)			00		18	21
								445T	46.00 (1168)	1.00 (25)			00		18	21
								445TS	42.00 (1067)	1.00 (25)			00		18	21
								447T	52.00 (1321)	1.00 (25)			00		19	21
								447TS	49.00 (1245)	1.00 (25)			00		19	21
449TS	49.00 (1245)	1.00 (25)			00		19	21								

- NOTES:
- Dimensions are approximate.
 - All dimensions are in inches (mm) and may vary $\pm 1/4$ (6).
 - Conduit box is shown in approximate position. Dimensions are not specified as they vary with each motor manufacturer.
 - Not for construction purposes unless certified.
 - Available in 250 lb./125 lb. flanges.
 - X - for 1750 RPM applications
XX - for 3550 RPM applications
XXX - for 1750 and 3550 RPM applications
 - HT is based on Fairbanks Nijhuis® standard coupling. HT may vary from .25 to 3.25".
 - 00 - 2950 RPM operation only.

Dimensional Data – Models 1620 and 1650 End Suction Pumps / Setting Plans



1620 W/OPTIONAL BASE, COUPLING, AND MOTOR

Pump Size	Discharge	Suction	D	X	Y	Z	CP	Motor Frame	C Approx.	HL	P.F. 1	P.F. 2	P.F. 3	P.F. 21A	Steel Base No.	Drip Rim Base No.
5" 1624 (5)	5	6	12.00 (305)	13.00 (330)	6.00 (152)	9.00 (229)	25.34 (644)	256T	25.00 (635)	2.00 (51)			X		16	22
								284T	27.00 (686)	2.00 (51)		X		16	22	
								284TS	25.00 (635)	2.00 (51)		X		16	22	
								286T	28.00 (711)	2.00 (51)		X		16	22	
								286TS	26.00 (660)	2.00 (51)		X		16	22	
								324T	29.00 (737)	2.00 (51)		X		17	21	
								324TS	28.00 (711)	2.00 (51)		X		17	21	
								326T	31.00 (787)	2.00 (51)		X		17	21	
								326TS	29.00 (737)	2.00 (51)		X		17	21	
								364TS	31.00 (787)	2.00 (51)		X		17	21	
								365TS	32.00 (813)	2.00 (51)		X		17	21	
								404TS	34.00 (864)	2.00 (51)		X		18	21	
405TS	36.00 (914)	2.00 (51)		X		18	21									
6" 1621 (5)	6	8	11.00 (279)	10.50 (267)	7.00 (178)	8.25 (210)	27.00 (686)	254T	24.00 (610)	1.00 (25)		X		12	12	
								256T	25.00 (635)	1.00 (25)		X		12	12	
								284T	27.00 (686)	1.00 (25)		X		12	12	
								284TS	25.00 (635)	1.00 (25)		X		12	12	
								286T	28.00 (711)	1.00 (25)		X		12	12	
								286TS	26.00 (660)	1.00 (25)		X		12	12	
								324T	29.00 (737)	1.00 (25)		X		13	13	
								324TS	28.00 (711)	1.00 (25)		X		13	13	
								326T	31.00 (787)	1.00 (25)		X		13	13	
								326TS	29.00 (737)	1.00 (25)		X		13	13	
6" 1622 (5)	6	8	12.00 (305)	11.00 (279)	6.13 (156)	8.47 (215)	25.72 (653)	254T	24.00 (610)	2.00 (51)			X		16	22
								256T	25.00 (635)	2.00 (51)		X		16	22	
								284T	27.00 (686)	2.00 (51)		X		16	22	
								284TS	25.00 (635)	2.00 (51)		X		16	22	
								286T	28.00 (711)	2.00 (51)		X		16	22	
								286TS	26.00 (660)	2.00 (51)		X		16	22	
								324T	29.00 (737)	2.00 (51)		X		17	21	
								324TS	28.00 (711)	2.00 (51)		X		17	21	
								326T	31.00 (787)	2.00 (51)		X		17	21	
								326TS	29.00 (737)	2.00 (51)		X		17	21	
								364TS	31.00 (787)	2.00 (51)		X		17	21	
								365TS	32.00 (813)	2.00 (51)		X		17	21	

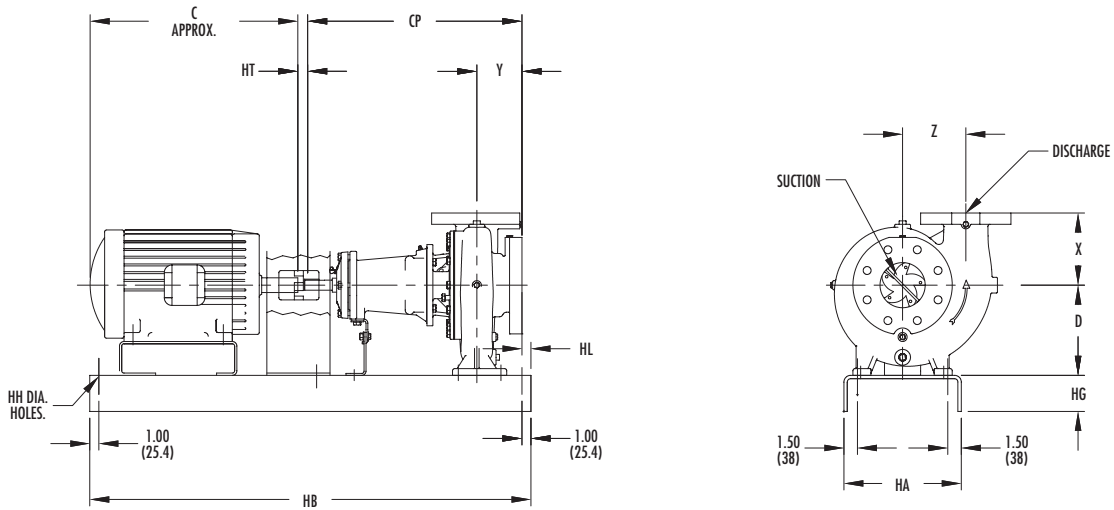
NOTES:

1. Dimensions are approximate.
2. All dimensions are in inches (mm) and may vary $\pm 1/4$ (6).
3. Conduit box is shown in approximate position. Dimensions are not specified as they vary with each motor manufacturer.

4. Not for construction purposes unless certified.
5. Available in 250 lb./125 lb. flanges.
6. X - for 1750 RPM applications
XX - for 3550 RPM applications
XXX - for 1750 and 3550 RPM applications

7. HT is based on Fairbanks Nijhuis® standard coupling. HT may vary from .25 to 3.25".
8. 00 - 2950 RPM operation only.

Dimensional Data – Models 1620 and 1650 End Suction Pumps / Setting Plans



1620 W/OPTIONAL BASE, COUPLING, AND MOTOR

Pump Size	Discharge	Suction	D	X	Y	Z	CP	Motor Frame	C Approx.	HL	P.F. 1	P.F. 2	P.F. 3	P.F. 21A	Steel Base No.	Drip Rim Base No.
6" 1623 (5)	6	8	12.00 (305)	13.38 (340)	6.50 (165)	9.31 (236)	33.57 (853)	286T	28.00 (711)	1.00 (25)				X	18	21
								286TS	26.00 (660)	1.00 (25)			X	18	21	
								324T	29.00 (737)	1.00 (25)			X	18	21	
								324TS	28.00 (711)	1.00 (25)			X	18	21	
								326T	31.00 (787)	1.00 (25)			X	18	21	
								326TS	29.00 (737)	1.00 (25)			X	18	21	
								364TS	31.00 (787)	1.00 (25)			X	18	21	
								365TS	32.00 (813)	1.00 (25)			X	18	21	
								404TS	34.00 (864)	1.00 (25)			X	19	21	
								405TS	36.00 (914)	1.00 (25)			X	19	21	
								444TS	41.00 (1041)	1.00 (25)			X	19	21	
								445T	46.00 (1168)	1.00 (25)			X	23	23	
8" 1622 (5)	8	10	15.00 (381)	14.00 (356)	8.00 (203)	11.00 (279)	34.96 (888)	286T	28.00 (711)	1.00 (25)				X	18	21
								286TS	26.00 (660)	1.00 (25)			X	18	21	
								324T	29.00 (737)	1.00 (25)			X	18	21	
								324TS	28.00 (711)	1.00 (25)			X	18	21	
								326T	31.00 (787)	1.00 (25)			X	18	21	
								326TS	29.00 (737)	1.00 (25)			X	18	21	
								364TS	31.00 (787)	1.00 (25)			X	18	21	
								365TS	32.00 (813)	1.00 (25)			X	18	21	
								404TS	34.00 (864)	1.00 (25)			X	19	21	
								405TS	36.00 (914)	1.00 (25)			X	19	21	
								444TS	41.00 (1041)	1.00 (25)			X	19	21	
								445T	46.00 (1168)	1.00 (25)			X	23	23	
445TS	42.00 (1067)	1.00 (25)			X	19	21									
447T	52.00 (1321)	1.00 (25)			X	23	23									

NOTES:

1. Dimensions are approximate.
2. All dimensions are in inches (mm) and may vary ± 1/4 (6).
3. Conduit box is shown in approximate position. Dimensions are not specified as they vary with each motor manufacturer.

4. Not for construction purposes unless certified.
5. Available in 250 lb./125 lb. flanges.
6. X – for 1750 RPM applications
XX – for 3550 RPM applications
XXX – for 1750 and 3550 RPM applications

7. HT is based on Fairbanks Nijhuis® standard coupling. HT may vary from .25 to 3.25".
8. 00 – 2950 RPM operation only.