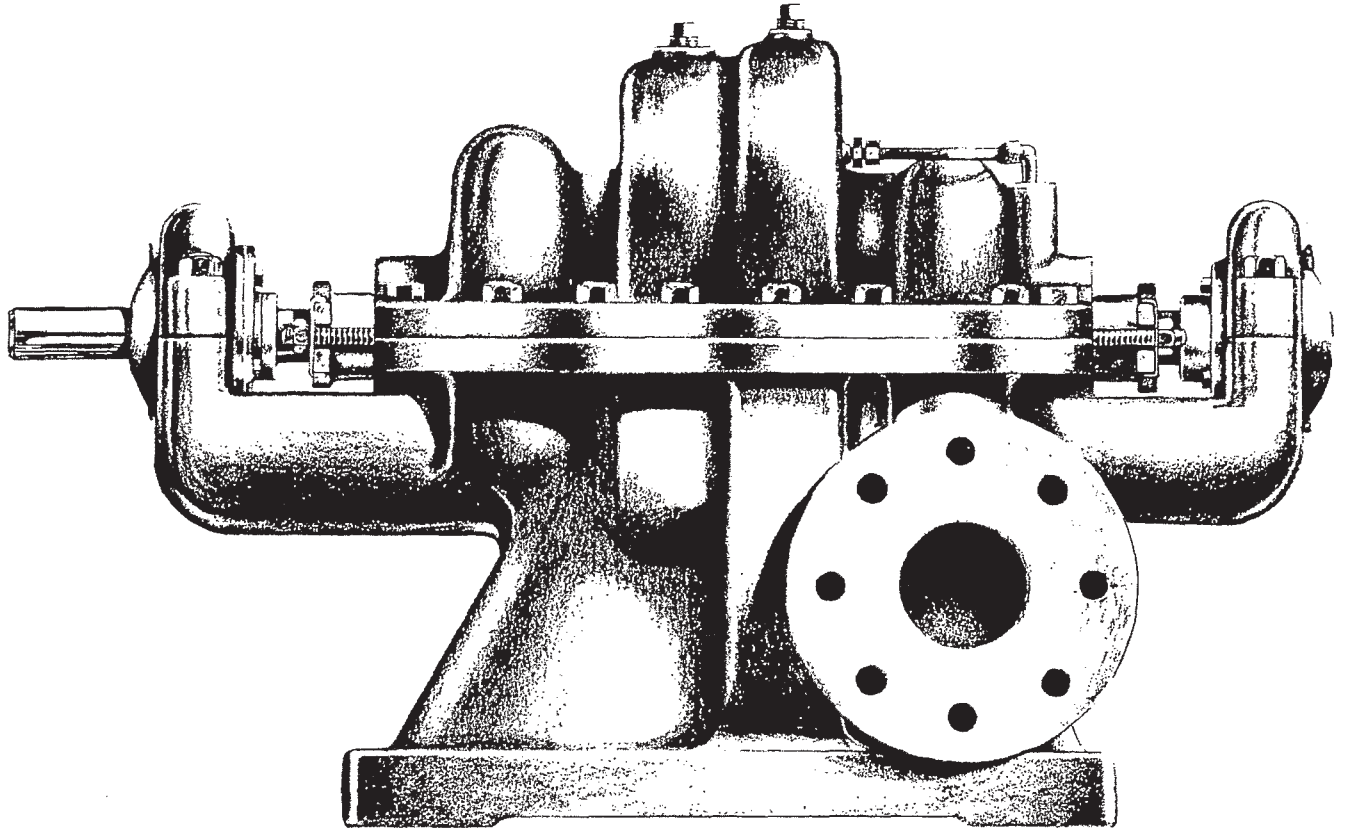




**FAIRBANKS NIJHUIS™**



# 5900 SERIES HORIZONTAL MULTI-STAGE SPLIT CASE PUMPS

## INSTALLATION, OPERATION AND MAINTENANCE INSTRUCTIONS



NOTE! To the installer: Please make sure you provide this manual to the owner of the equipment or to the responsible party who maintains the system.

## TABLE OF CONTENTS

### INSTALLATION, OPERATION AND MAINTENANCE INSTRUCTIONS 5900 HORIZONTAL MULTI-STAGE SPLIT CASE PUMPS

<b>STORAGE OF PUMPS</b> .....	3
<b>WARRANTY (KC585)</b> .....	4, 5
<b>INTRODUCTION</b> .....	6
<b>INSTALLATION</b> .....	6
Pump and Drives (General) .....	6
Location .....	6
Foundation .....	6
Alignment .....	6
Coupling Alignment .....	7
Grouting .....	7
Piping .....	7
<b>INITIAL START UP AND OPERATING INSTRUCTIONS</b> .....	7
<b>MAINTENANCE</b> .....	8
Stuffing Box .....	8
Packing Replacement .....	8
Pump Disassembly .....	8
Pump Assembly .....	9
<b>PARTS ORDERING</b> .....	10
<b>RETURNING PARTS</b> .....	10
<b>DRAWINGS</b> .....	11
Typical Assembly Drawing 2½" 5972A .....	11
Typical Assembly Drawing 6" 5922 .....	12
Typical Assembly Drawing 5" 5922 .....	13
Typical Assembly Drawing 3" 5922 .....	14
Typical Assembly Drawing 5" 5972 .....	15

# NOTICE

## CAUTION

### IMPORTANT SAFETY NOTICE

THE INSTALLATION, USE AND OPERATION OF THIS TYPE OF EQUIPMENT IS AFFECTED BY VARIOUS FEDERAL, STATE AND LOCAL LAWS AND THE REGULATIONS CONCERNING OSHA. COMPLIANCE WITH SUCH LAWS RELATING TO THE PROPER INSTALLATION AND SAFE OPERATION OF THIS TYPE OF EQUIPMENT IS THE RESPONSIBILITY OF THE EQUIPMENT OWNER AND ALL NECESSARY STEPS SHOULD BE TAKEN BY THE OWNER TO ASSURE COMPLIANCE WITH SUCH LAWS BEFORE OPERATING THE EQUIPMENT.

**CALIFORNIA PROPOSITION 65 WARNING:**

#### **WARNING**

THIS PRODUCT AND RELATED ACCESSORIES CONTAIN CHEMICALS KNOWN TO THE STATE OF CALIFORNIA TO CAUSE CANCER, BIRTH DEFECTS OR OTHER REPRODUCTIVE HARM.

#### **WARNING**

DO NOT OPERATE THIS MACHINE WITHOUT PROTECTIVE GUARDS IN PLACE. ANY OPERATION OF THIS MACHINE WITHOUT PROTECTIVE GUARDS CAN RESULT IN SEVERE BODILY INJURY.

## STORAGE OF PUMPS

IF THE EQUIPMENT IS NOT TO BE INSTALLED AND OPERATED SOON AFTER ARRIVAL, STORE IT IN A CLEAN, DRY, WELL-VENTILATED PLACE, FREE FROM VIBRATION, MOISTURE, AND RAPID OR WIDE VARIATIONS IN TEMPERATURE. ROTATE THE SHAFT SEVERAL REVOLUTIONS. (NOT TO EXCEED EVERY TWO WEEKS) TO:

1. COAT THE BEARINGS WITH LUBRICANT,
2. RETARD OXIDATION OR CORROSION AND,
3. PREVENT POSSIBLE FALSE BRINELLING.

FOR OIL LUBE BEARINGS FILL THE RESERVOIR FULL OF OIL FOR STORAGE. DRAIN OIL TO THE PROPER LEVEL FOR START-UP. ROTATE THE SHAFT PERIODICALLY, ALSO NOT TO EXCEED EVERY TWO WEEKS.

CONSIDER A UNIT IN STORAGE WHEN:

1. IT HAS BEEN DELIVERED TO THE JOB SITE AND IS AWAITING INSTALLATION.
2. IT HAS BEEN INSTALLED BUT OPERATION IS DELAYED PENDING COMPLETION OF PLANT CONSTRUCTION.
3. THERE ARE LONG (30 DAY OR MORE) PERIODS BETWEEN OPERATION CYCLES.
4. THE PLANT (OR DEPARTMENT) IS SHUT DOWN.

**NOTE:** STORAGE REQUIREMENTS VARY DEPENDING ON THE LENGTH OF STORAGE, THE CLIMATIC ENVIRONMENT AND THE EQUIPMENT. FOR STORAGE PERIODS OF THREE MONTHS OR LONGER, CONTACT THE MANUFACTURER FOR SPECIFIC INSTRUCTIONS. IMPROPER STORAGE COULD RESULT IN NON-WARRANTY COVERED RESTORATION REQUIREMENTS OR NON-WARRANTY COVERED PRODUCT FAILURES.

## STANDARD TERMS AND CONDITIONS

**LEGAL EFFECT:** Except as expressly otherwise agreed to in writing by an authorized representative of Seller, the following terms and conditions shall apply to and form a part of this Quotation and any order resulting therefrom and any additional and/or different terms of Buyer's purchase order or other form of acceptance are rejected in advance and shall not become a part of any order resulting from this Quotation.

The rights of Buyer hereunder shall neither be assignable nor transferable except with the written consent of Seller.

Any order resulting from this Quotation cannot be cancelled or altered except with the written consent of Seller and upon terms which will indemnify Seller against all loss occasioned thereby. All additional costs incurred by Seller due to changes in design or specifications, modification of any order resulting from this Quotation or revision of product must be paid for by Buyer.

In addition to the rights and remedies conferred upon Seller by any contract resulting from this Quotation, Seller shall have all rights and remedies conferred at law and in equity and shall not be required to proceed with the performance of any order resulting from this Quotation if Buyer is in default in the performance of such order or of any other contract or order with Seller.

**PRICES:**

A. Prices for items of equipment included in the Quotation, other than equipment noted in Paragraph B, manufactured by Seller, are subject to escalation in accordance with Clause 1 below, unless Clause 2 is specifically stated in the price quotation portion of this Quotation.

**CLAUSE 1 -** The price for each item of equipment shall be escalated by the percentage increase of the published price for such item after applicable discounts in effect at the time of shipment, over the published price for such items after applicable discounts in effect at the date of this Quotation.

**CLAUSE 2 -** The quoted price for each item of equipment shall be subject to escalation in accordance with the price adjustment policy specified in Form KC 586.

B. Items of equipment purchased by Seller which are not covered by published prices and which are separately identified in this Quotation (such as motors, engines, controls, etc.) will be subject to escalation by the ratio of Seller's purchase price at the time of shipment over Seller's purchase price at the time of this Quotation.

**TERMS OF PAYMENT:** Unless otherwise specified in this Quotation, the terms of payment shall be as follows:

- a. On all orders under \$100,000, net cash within thirty (30) days after shipment.
- b. On all orders over \$100,000 as follows:
  - 15% on submittal of drawings
  - 25% on release to manufacture
  - 50% at time of shipment
  - 10% 30 days after shipment

These terms shall apply to partial as well as complete shipments. If any proceeding be initiated by or against Buyer under any bankruptcy or insolvency law, or in the judgment of Seller the financial condition of Buyer, at the time the equipment is ready for shipment, does not justify the terms of payment specified, Seller reserves the right to require full payment in cash prior to making shipment. If such payment is not received within fifteen (15) days after notification of readiness for shipment, Seller may cancel the order as to any unshipped item and require payment of its reasonable cancellation charges.

If Buyer delays shipment, payments based on date of shipment shall become due as of the date when ready for shipment. If Buyer delays completion of manufacture, Seller may elect to require payment according to percentage of completion. Equipment held for Buyer shall be at Buyer's risk and storage charges may be applied at the discretion of Seller.

Accounts past due shall bear interest at the highest rate lawful to contract for but if there is no limit set by law, such interest shall be eighteen percent (18%). Buyer shall pay all costs and expenses, including reasonable attorney's fees, incurred in collecting the same, and no claim, except claims within Seller's warranty of material or workmanship, as stated below, will be recognized unless delivered in writing to Seller within (30) days after date of shipment.

**TAXES:** All prices exclude present and future sales, use, occupation, license, excise, and other taxes in respect of manufacture, sales, or delivery, all of which shall be paid by Buyer unless included in the purchase price at the proper rate or a proper exemption certificate is furnished.

**ACCEPTANCE:** This Quotation is not an offer. All offers to purchase, quotations and contracts of sale are subject to final acceptance by an authorized representative at Seller's Kansas City plant.

**DELIVERY:** Except as otherwise specified in this Quotation, delivery will be F.O.B. cars point of shipment. In the absence of exact shipping instructions, Seller will use its discretion regarding best means of shipment. No liability will be accepted by Seller for so doing. All transportation charges are at Buyer's expense. Time of delivery is an estimate only and is based upon the receipt of all information and necessary approvals. The shipping schedule shall not be construed to limit Seller in making commitments for materials or in fabricating articles under this order in accordance with Seller's normal and reasonable production schedules.

Seller shall in no event be liable for delays caused by fires, acts of God, strikes, labor difficulties, acts of governmental or military authorities, delays in transportation or procuring materials, or causes of any

## STANDARD TERMS AND CONDITIONS

kind beyond Seller's control. No provision for liquidated damages for any cause shall apply under this order. Buyer shall accept delivery within thirty (30) days after receipt of notification of readiness for shipment. Claims for shortages will be deemed to have been waived if not made in writing within ten (10) days after the receipt of the material in respect of which any such shortage is claimed. Seller is not responsible for loss or damage in transit after having received "In Good Order" receipt from the carrier. All claims for loss or damage in transit should be made to the carrier.

**TITLE & LIEN RIGHTS:** The equipment shall remain personal property, regardless of how affixed to any realty or structure. Until the price (including any notes given therefore) of the equipment has been fully paid in cash, Seller shall, in the event of Buyer's default, have the right to repossess such equipment.

**PATENT INFRINGEMENT:** If properly notified and given an opportunity to do so with friendly assistance, Seller will defend Buyer and the ultimate user of the equipment from any actual or alleged infringement of any published United States patent by the equipment or any part thereof furnished pursuant hereto (other than parts of special design, construction, or manufacture specified by and originating with Buyer), and will pay all damages and costs awarded by competent court in any suit thus defended or of which it may have had notice and opportunity to defend as aforesaid.

**STANDARD WARRANTY:** Seller warrants products of its own manufacture against defects in materials and workmanship under normal use, and service for one (1) year from date of installation or startup, but not more than eighteen (18) months after date of shipment. Accessories and components not manufactured by Seller are warranted only to the extent of the original manufacturer's warranty. Notice of the alleged defect must be given to Seller in writing with all identifying details including serial number, type of equipment and date of purchase within thirty (30) days of the discovery of same during the warranty period. Seller's sole obligation on this warranty shall be, at its option, to repair or replace or refund the purchase price of any product or part thereof which proves to be defective as alleged. No allowances will be made for repairs or alterations effected without specific written authorization from Seller.

If requested by Seller, such product or part thereof must be promptly returned to the manufacturer prior to any attempted repair; or sent to an authorized service station designated by the manufacturer. All shipping expenses are to be prepaid by the buyer. Seller accepts no responsibility for loss or damage, in transit, of goods, nor will any warranty claim be considered unless the returned goods are received intact and undamaged as a result of shipment. Repaired or replaced material returned to customer will be shipped F.O.B. the manufacturer's factory.

Seller warrants repaired or replaced parts of its own manufacture against defects in materials and workmanship under normal use and service for ninety (90) days or for the remainder of the warranty on the product being repaired. This warranty applies to the repaired or replaced part and is not extended to the product or any other component of the product being repaired.

Under the terms of this warranty, Seller shall not be responsible nor liable for:

- a. consequential, collateral or special losses or damages
- b. equipment conditions caused by fair wear and tear, abnormal conditions of use, accident, neglect or misuse of said equipment
- c. labor charges, loss or damage resulting from the supplying of defective part(s) or improper repairs by unauthorized person(s)
- d. damage caused by abrasive materials, chemicals, scale deposits, corrosion, lightning, improper voltage or mishandling

Seller reserves the right to substitute new equipment and/or improve the part(s) on any equipment judged defective without further liability. All repairs and/or services performed by Seller, not adjusted as covered by this warranty, will be charged in accordance with the current equipment and service prices.

This warranty is VOID unless the purchaser provides protective storage, installs and maintains the equipment in accordance with published instructions.

Credit will NOT be allowed nor shipment accepted on any part(s) or equipment returned unless prior approval in writing has been obtained.

**THIS WARRANTY IS THE SOLE WARRANTY OF SELLER AND ANY OTHER WARRANTIES EXPRESS, IMPLIED IN LAW OR IMPLIED IN FACT, INCLUDING ANY WARRANTIES OF MERCHANTABILITY AND FITNESS FOR USE, ARE HEREBY SPECIFICALLY EXCLUDED.**

No employee of the Seller and no agent, dealer or distributor has any authority to change or enlarge the terms of this warranty to obligate the Seller to other than strictly the terms of this written warranty.

**LIABILITY LIMITATIONS:** Under no circumstances shall the Seller have any liability for liquidated damages or for collateral, consequential or special damages or for loss of profits, or for actual losses or for loss of production or progress of construction, whether resulting from delays in delivery or performance, breach of warranty, negligent manufacture or otherwise. The aggregate total liability of Seller in connection with the performance of this order, whether for breach of contract or warranty, negligence, or otherwise, shall in no event exceed the contract price. Buyer agrees to indemnify and hold harmless Seller from all claims by third parties in excess of these limitations.

Since the compliance with the various Federal, State and Local laws and regulations concerning occupational health and safety and pollution are affected by the use, installation and operation of the equipment and other matters over which the Seller has no control, the Seller assumes no responsibility for compliance with those laws and regulations, whether by way of indemnity, warranty or otherwise.

## FOREWORD

This manual contains descriptions and instructions which are the results of carefully conducted engineering and research efforts. It is designed for the safe and efficient installation, operation and maintenance of your pump. **Failure or neglect to properly install, operate or maintain your pump may result in personal injury, property damage or unnecessary damage to the pump. Read this manual and all other equipment manuals carefully.**

The purpose of this manual is to supply adequate instructions for installation, operation and maintenance of your pump. However, this manual shall not in any way take precedence over or abrogate the requirements of NFPA 20 for the installation and use of centrifugal fire pumps.

## INTRODUCTION

The 5900 pumps are horizontal split case multi-stage design, with the casing being split on the horizontal centerline. Both the suction and discharge flange connection are located below the horizontal casing split. The only moving part is the rotating assembly which is installed using grease or oil lubricated high quality steel ball bearings.

Service of the rotating element is accomplished by unbolting the upper half and lifting the rotating element out. This service can be accomplished without disturbing either piping or motor alignment.

The stuffing box packing may be lubricated by the fluid being pumped with a connection from the pressure side of the pump casing to the stuffing box or, by a connection from an outside source directly to the stuffing box.

These pumps may be supplied with mechanical seals, impeller wear rings and with an oil or grease lubrication system for the bearings.

## PUMP AND DRIVER INSTALLATION

### General

Carefully read all sections of this manual, which apply to pump and driver installation, prior to beginning work.

Upon receipt of shipment, unpack and inspect pump and driver assemblies and individual parts to assure none are missing or damaged. Report immediately to the factory, and the transportation company involved, any damage incurred during shipment.

The pump and driver assemblies are mounted on a structural steel base and aligned at the factory. However, the alignment may be disturbed in transit or by leveling of the base on the foundation. *Realignment is the customers responsibility and should be checked after the unit is leveled on the foundation,*

*grouting has set and foundation bolts are tightened and again after all piping is accomplished.*

When the driver is to be mounted at the installation site, the pump and the driver bolt holes are not drilled or tapped.

To facilitate alignment at the installation site, neither the pump or the driver is doweled to the base structure at the factory.

### Location

The pump and driver should be located in an area that will permit periodic inspection and maintenance. Head room should be provided when it is necessary to use cranes. All units should be installed in a dry and dust free location.

**WARNING: DO NOT PICK UP THE COMPLETE UNIT BY THE DRIVER OR PUMP.** When it is necessary to move or lift the complete unit, a chain or suitable lifting device should be attached to each end of the base structure.

The pump should be installed as near the fluid supply as possible, so a short direct suction pipe can be used to hold the suction loss to a minimum. The discharge piping should be direct and with as few elbows and fittings as possible.

### Foundation

The foundation should be a level surface sufficient to prevent vibration and to form a permanent rigid support for the base structure. The most satisfactory foundations are concrete.

Foundation bolts of the proper size should be imbedded in the foundation in pipe sleeves with an I.D. 2½ times larger than the bolt diameter to allow for final positioning of the unit.

### Alignment

Lower the unit onto the foundation, positioning the base structure so the anchor bolts are correctly aligned with the holes in the base. Disconnect the coupling halves and **do not reconnect until all alignment operations are complete.** (See Fig. 1).

The base structure should be supported on metal shims or metal wedges. The support pieces should be placed directly under the part of the base carrying the greatest weight, and spaced close enough to give uniform support. (See Fig. 1).

Adjust the metal supports or wedges until the shafts of the pump and driver are level. Check the coupling faces as well as the suction and discharge flanges of the pump for horizontal or vertical position by means of a level. Corrections can be accomplished by adjusting the supports under the base.

When the pump and driver shafts are pulled toward each other, there should be a minimum clearance between the shaft ends as specified by the coupling manufacturer or as indicated in the setting plan.

### Coupling Alignment

When installing and aligning the coupling, it must be checked **carefully**. A flexible coupling should not be used to compensate for misalignment of the pump and driver. The purpose of a flexible coupling is to compensate for misalignment due to temperature changes and to permit independent end movement of the pump and driver shaft.

Angular alignment is accomplished by inserting a taper or feeler gage at four points between the coupling faces and comparing the distance between the faces of four points spaced at 90° intervals around the couplings. Rotate each coupling individually and check at the four points. The unit will be in angular alignment when the measurements show that the coupling faces are the same distance apart at each point. (See Fig. 2).

Parallel alignment is accomplished by placing a straight edge across both coupling rims at the top, bottom and both sides. The unit will be in parallel alignment when the straight edge rests evenly on the coupling rim at all four positions. Care must be taken to hold the straight edge parallel to the axis of the shaft. (See Fig. 3). **NOTE:** For couplings other than FM, refer to the manufacturer's alignment instructions.

Coupling misalignment is corrected by placing shims under the driver or pump mounting feet and insure that the bolts are tightened. After each change, recheck the alignment of the coupling halves. Adjustment in one direction may disturb adjustments already made in another direction.

Alignment can also be obtained by use of dial indicators.

### Grouting

When the alignment is correct, the foundation bolts should be tightened evenly but not too firmly. The unit should now be grouted using high A-Grade non-shrinking grout. The inside of the base structure should be filled to the top of side rail with grout.

Allow the grout to fully cure, then fully tighten the foundation bolts, and start piping.

**CAUTION:** DO NOT ATTEMPT TO OPERATE THE PUMP BEFORE THE GROUT IS FULLY CURED.

### Piping

All piping should be independently supported near the pump so pipe strain will not be transmitted to the pump casing. The suction pipe must be air tight and sloped upward to the pump flange to avoid air pockets which will impair satisfactory pump operation. The pump must never be throttled by the use of a valve in the suction line. The suction pipe should be as direct as possible with a minimum of valves to reduce pipe friction losses. The suction and discharge piping should be one or two sizes larger than the pump flange sizes, especially where the piping is of considerable length. Eccentric reducers should be used on the suction line to increase suction line size. The use of this reducer will help avoid air pockets in the line. A check valve and gate valve should be used in the discharge line. The check

valve, placed between the pump and the gate valve, is to protect the pump from water hammer and to prevent reverse rotation in case of power failure. The gate valves are used in priming and starting and when the pump is to be shut down. For nominal suction lifts a foot valve in the suction line will facilitate priming.

In a new installation care should be taken to prevent dirt, pipe scale, welding beads or any type of foreign matter from entering the pump. The suction system should be thoroughly flushed, and if the liquid being pumped contains foreign matter, a strainer should be installed in the suction. The strainer must have a net area of at least three times the area of the suction pipe.

**IMPORTANT:** When connecting piping to the pump, the connection should be made with the pipe in a free supported state without the need to apply vertical or side pressure to obtain alignment of piping with pump flange. Thrust block and pipe supports should be installed to prevent damage to the pump.

**CAUTION:** After all piping is connected, the pump and driver alignment should be rechecked.

### Rotation

Before connecting the two coupling halves, start the driver and verify that the rotation is in the proper direction. The motor should be run long enough to check for smooth operation. The correct pump rotation is indicated by a directional arrow on the pump casing.

### INITIAL START-UP AND OPERATING INSTRUCTIONS

Variations may exist in both the equipment used with these pumps and in the particular installation of the pump and driver. Therefore, specific operating instructions are not within the scope of this manual. However, there are some general rules and practices that apply to all pump installation and operation.

**CAUTION:** Before starting and operating the pump, read the following instructions:

1. Before starting pump, install coupling guards around exposed rotating parts as required.
2. Before starting pump, rotate the unit by hand to assure all moving parts are free.
3. Observe all caution or danger tags attached to the equipment.
4. Never run the pump dry as the close running fits within the pump are water lubricated. Running dry may result in pump seizure.
5. Before starting the pump, the casing and suction line must be filled with water. The pump may be primed by

using an ejector, exhausted vacuum pump or by filling and venting with a foot valve on the suction line.

6. Refer to the instruction manuals provided by the manufacturers of other equipment used with the pump for installation, operation and maintenance instructions.
7. If excessive vibration or noise occurs during start up, shut the pump down and consult a Fairbanks Morse representative. Only Fairbanks Morse qualified representatives should be engaged to "trouble shoot" this equipment.
8. Keep the stuffing box adjusted so there is sufficient leakage to lubricate the packing and assure a cool stuffing box. (See Maintenance instructions).
9. If the pumps are stored for a long period of time prior to installation and operation, refer to Fairbanks Morse "Storage of Pumps Notice," Form KC1309, for applicable instructions.

## MAINTENANCE

Fairbanks Morse pumps are equipped with high grade anti-friction bearings which are lubricated at the factory for approximately six months average service. Periodic inspections should be made by loosening the bearing covers enough to permit visual examination of the bearings. The cover and bearing cavity should be approximately half full of lubricant.

The pump is equipped with pressure gun fittings for each bearing. The bearings should be lubricated with a Lithium Base NLGI 2 grease from a reputable manufacturer.

**WARNING: DO NOT ATTEMPT TO LOOSEN BEARING COVERS OR LUBRICATE BEARINGS WHILE PUMP IS RUNNING.**

In the event pumps are in service and operating in an area having high ambient temperatures, special greases may be required. Contact a lubrication engineer or a Fairbanks Morse representative.

Immediately after lubrication, bearing temperature may rise above normal operating temperature. This should stabilize within 4 to 8 hours. The frequency of lubrication depends on the operating conditions.

If the bearings are oil lubricated, use a good grade of SAE 20 automotive type oil either detergent or non-detergent which contains nonfoaming, nonoxidation and rust inhibiting agents.

If the pump is supplied with a constant level oiler, assemble the oiler to the bearing housing. The oiler is located in a way to predetermine the oil level in the housing. Fill the oiler and let it drain into the housing until the oil level remains constant in the sight glass. When this is accomplished the correct oil level is attained.

When the pump is equipped with an oil lubrication system using a cooling coil in the bearing housing, or if the bearing hous-

ing is designed to function as a water jacket temperature regulating device, the piping should be connected to an outside source of cool water. This will provide the coolant necessary to help maintain the proper bearing temperature.

## Stuffing Box

The stuffing boxes on Fairbanks Morse pumps are packed at the factory with the a good grade of packing. However, all packing is subject to wear and should be given regular inspections and, if necessary, adjustments or replacement.

Adjustment is accomplished by tightening the gland nuts, wrench tight, and then loosening so they can be adjusted with finger pressure to allow a small flow of liquid to lubricate the packing. If the flow of liquid has increased and cannot be reduced by a slight tightening of the glands, it is time to replace the packing and/or shaft sleeve.

**CAUTION:** Do not tighten the gland to stop all leakage. Leakage is necessary to insure the cooling and lubrication of the packing and to prevent sleeve damage.

Water lubrication is supplied to the stuffing box by a connection to the pressure side of the pump casing, or by a connection from an outside source directly to the stuffing box.

## Packing Replacement

When replacing packing, use a good grade of soft square long fiber asbestos packing thoroughly graphited. The replacement procedure should be as follows:

- A. Unbolt and remove the split gland.
- B. Use a packing hook to remove the worn packing and water seal rings. Note location of water seal ring, relative to amount of packing on each side of ring.
- C. Clean the packing box and shaft sleeve.
- D. Inspect the shaft sleeve for wear or rough finish. Replace if necessary.
- E. Install the new packing and water seal ring. Stagger the packing end joints 180° and firmly seat each packing ring.
- F. Reinstall the split gland and tighten the gland nuts wrench tight.
- G. Loosen the gland nuts so they can be adjusted with finger pressure to obtain correct leakage for lubrication, after start-up.

## Pump Disassembly

Major pump maintenance, beyond lubrication and adjustment or replacement of packing, will require disassembly of the



pump. When disassembly is necessary the following step by step procedure will apply.

- A. Lock out the power to the driver and close the suction and discharge valves; drain the pump. Disconnect the lubrication piping and couplings between the pump and driver. Remove the oilers, if the pump is equipped with an oil lubrication system.
- B. Remove the casing capscrews, gland, gland nuts, split glands, bearing caps and upper casing.
- C. Using a double rope sling, remove the rotor assembly from the lower casing.
- D. Remove the capscrews from the bearing covers and remove both bearing housings. If the pump is equipped with an oil lubrication system using a cooling coil remove the oil ring and shaft lockcollar from the shaft. Remove the oil ring retaining arm, cooling coil and gasket from the bearing housing.
- E. Remove the thrust bearing locknut and washer. With the assistance of a bearing puller, remove both bearings. **NOTE:** Apply pulling pressure on the inner race of the bearings.
- F. Remove the bearing spacers, snap ring, bearing retainer covers and water deflectors. If the pump is equipped with an oil lubrication system, remove the "O" rings from the bearing housing covers.
- G. Remove the shaft sleeve lock collar, shaft sleeve nuts, casing wear rings, water seal rings, stuffing box bushings and packing. If the shaft sleeves are threaded on the shaft, remove by unscrewing in the proper direction. If the sleeves are not threaded to the shaft, the locknuts and sleeves are installed using Loctite Retaining Compound. Loosen nuts before applying heat to sleeve. To remove, heat uniformly to 350°F - 400°F to soften the Loctite.  
**WARNING:** Use heat resistant gloves to remove the nuts and sleeves.
- H. Remove the shaft sleeve gaskets and press off the first stage impeller. Remove the impeller hub gasket, casing diaphragm and press the second stage impeller off. Remove the impeller key.
- J. If the impeller wear rings require replacement, remove the dowel screws and chisel/cut the rings at the dowel hole location. If the rings are threaded on, remove the dowel screws and unscrew the rings from the impeller.
- K. After the pump is disassembled, each part should be thoroughly cleaned and inspected for wear or damage. Any parts showing signs of wear or damage should be replaced.

### Pump Assembly

Instructions for assembly of the pump will be essentially the

reverse order of the instructions for disassembly. However, some special techniques are required. **CAUTION:** Read the assembly instructions carefully prior to beginning work.

- A. If the pump is equipped with impeller wearing rings, install the new rings with a press or by using a hammer and a block of wood. Redowel 15°-20° from old dowel location. If the rings are a threaded configuration, screw each ring on the impeller full depth of threads and redowel.
- B. Thoroughly clean the pump shaft to remove oil, grease and other types of foreign materials. Insert impeller key into the keyway slot on the pump shaft. Press the first stage impeller onto the shaft and over the key, assuring the impeller is in proper rotation.
- C. Install the impeller hub gasket. Place the casing diaphragm over the impeller hub positioned so the full diameter lip is next to the second stage impeller.
- D. Press the second stage impeller onto the shaft and over the key until it is firmly against the hub of the first stage impeller. To obtain linear positioning of the impellers, leave an equal amount of overhand for each impeller fit.
- E. Install both shaft sleeve gaskets and shaft sleeves. Thread the sleeves on the shaft until they are firmly seated against the impeller hub. If the shaft sleeves are the type retained by shaft sleeve nuts or lockcollars, apply a bead of Loctite, Catalog 271 or 601, around the shaft approximately 2 inches from the impeller hub and at the threaded end where the shaft sleeve nut is installed. With a rotating motion, slide the shaft sleeves over the shaft until they butt firmly against the impeller hub.
- F. Install the stuffing box bushings and water seal ring over the shaft sleeves. **NOTE:** A water seal ring is not used on the high pressure side of the pump.
- G. Install "O" ring in the shaft sleeve nuts if they are required. Apply 2 to 3 drops of Loctite to the shaft threads and install the shaft sleeve nuts.  
**CAUTION:** The shaft sleeve nuts must be tightened within 10 minutes after the Loctite is applied. Allow 4 hours after Loctite is applied before operating pump.
- H. If the pump is supplied with a shaft sleeve lock collar, install the shaft sleeve "O" rings and secure the lock collars into position with the retaining setscrew.
- J. Install the water deflectors, bearing housing covers, snap ring and bearing spacers. If the pump is equipped with a constant level oiler, install the "O" rings in the bearing covers.
- K. Install both radial and thrust bearings. Pack each bearing approximately half full with a Lithium Base N.L.G.I. 20 all purpose bearing grease.
- L. Install the thrust bearing lockwasher and locknut. Install

both bearing housings. If grease lubricated, install grease fittings.

**NOTE:** If the pump is equipped with an oil lubrication system using a cooling coil, place the oil ring on the shaft and install the shaft lockcollar, oil ring retaining arm and cooling coil. Install the bearing housing gasket and assemble the housing cover to the bearing housing.

- M. Position casing wear rings on impeller and lower the rotor assembly into position in the lower casing, using a double rope sling. Install split gland eyebolts in casing.

**CAUTION:** Be sure the bearing arm dowel pins are fully inserted into the bearing housings.

- N. Inspect the upper casing to assure that the water passage is clean and free of foreign materials. Using a new gasket apply a small amount of grease to the gasket between the upper and lower casings; position pins in casing wear rings to align with the slots in lower casing. Lower upper casing into position and insert casing taper pins, tap pins lightly with hammer, insert and tighten the four bolts at stuffing box. At this time, turn the rotating assembly by hand. If there is increased drag, remove upper casing and check for cocked wear ring or foreign material between ring and casing. Install all bolts and tighten. Recheck for free rotation. Install packing, and split glands. (See packing replacement section of this manual).

### Ordering Parts

When ordering spare or replacement parts, give pump serial number, size and figure number and a complete description and

item number of each part. Refer to the drawing and parts list in the back of the manual. Your order may be forwarded to your nearest Fairbanks Morse distributor or directly to the factory.

**NOTE:** The upper and lower casing are always furnished as an assembly.

### Returning Parts

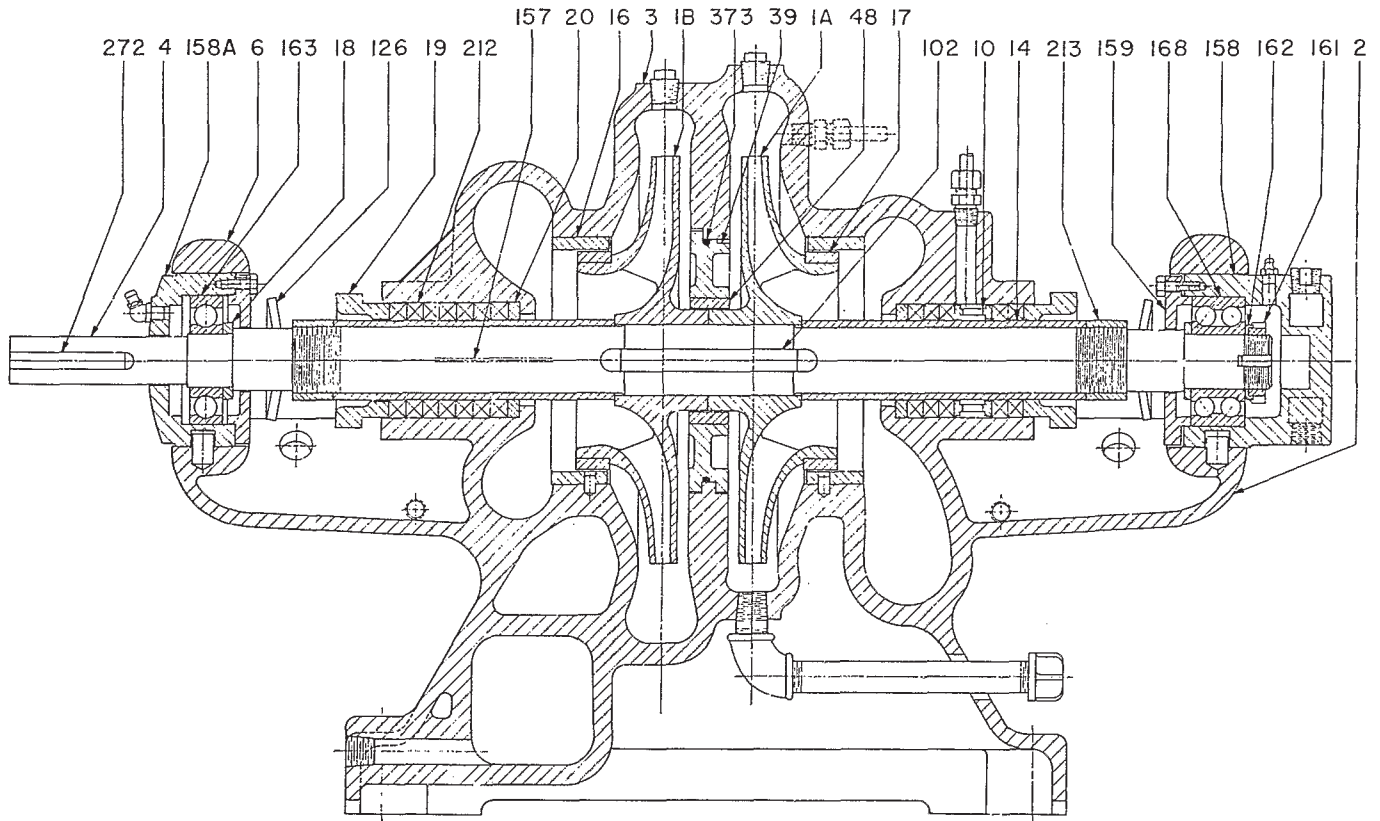
All materials or parts returned to the factory must have prior approval and a Fairbanks Morse "Returned Goods Tag" to accompany them. Unnecessary delays and wasted efforts will be avoided by using the proper procedure in returning parts or equipment.

Contact your nearest Fairbanks Morse distributor, listing the material to be returned and the reasons for the return. He will contact the factory to obtain approval for the return and to obtain the necessary "Returned Goods Tag" if the return is approved. You will be notified of the reasons if the approval is not given.

All material to be returned should be carefully packed to avoid damage in route from rough handling or exposure to weather. The "Returned Goods Tag" will give shipping instructions. All material to be returned freight prepaid unless otherwise instructed.

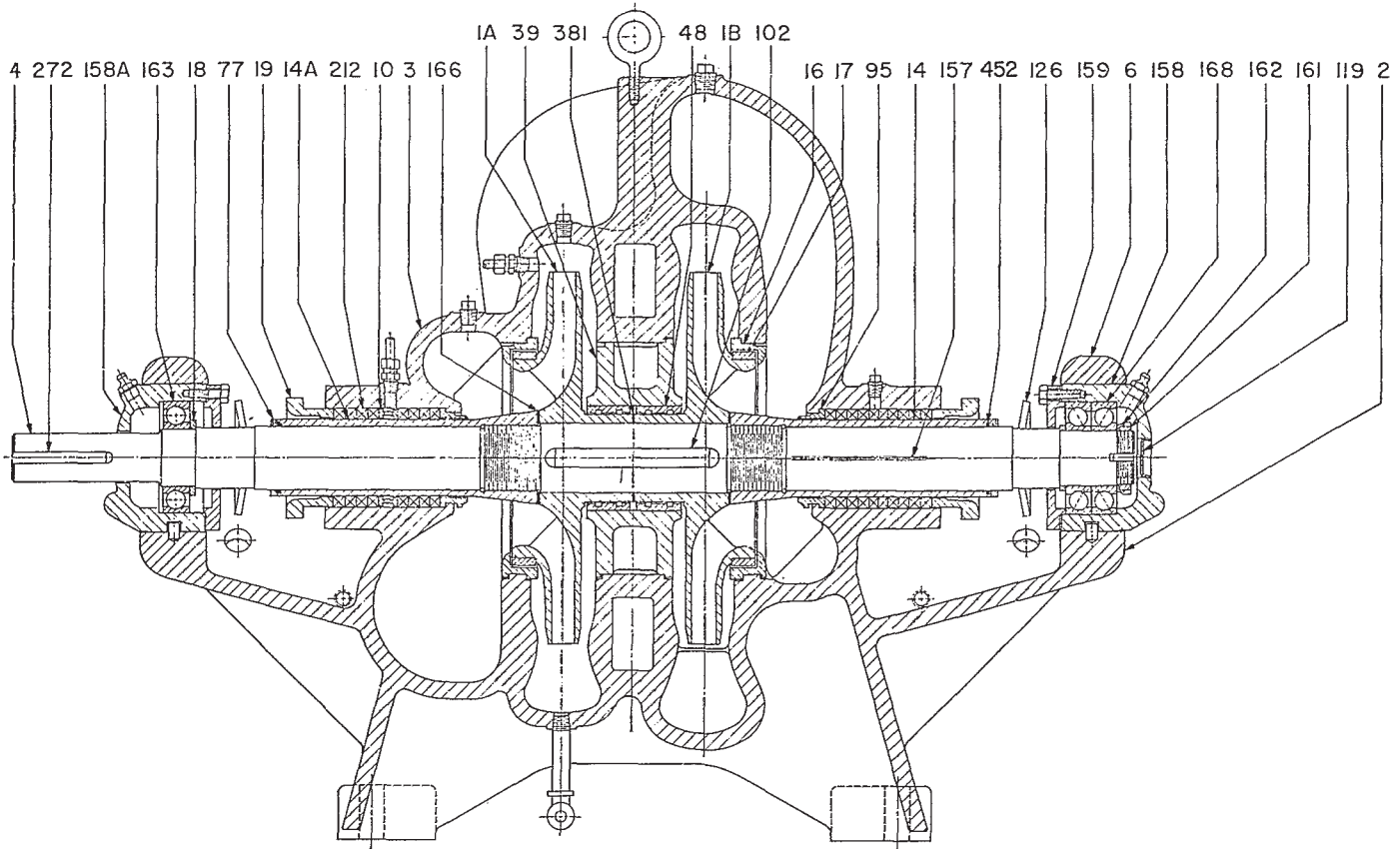
This company makes improvements on its products from time to time and reserves the right to furnish improved parts for repairs when such parts are interchangeable. A part that is received and is not identical in appearance or has a different symbol from the original part, may be interchangeable. Examine the part carefully before contacting your Fairbanks Morse representative. The parts should never be returned to the factory without first obtaining proper authorization from your Fairbanks Morse representative.

**5900  
 MULTI-STAGE, HORIZONTAL, SPLIT CASE PUMPS  
 CROSS-SECTIONS & PARTS**



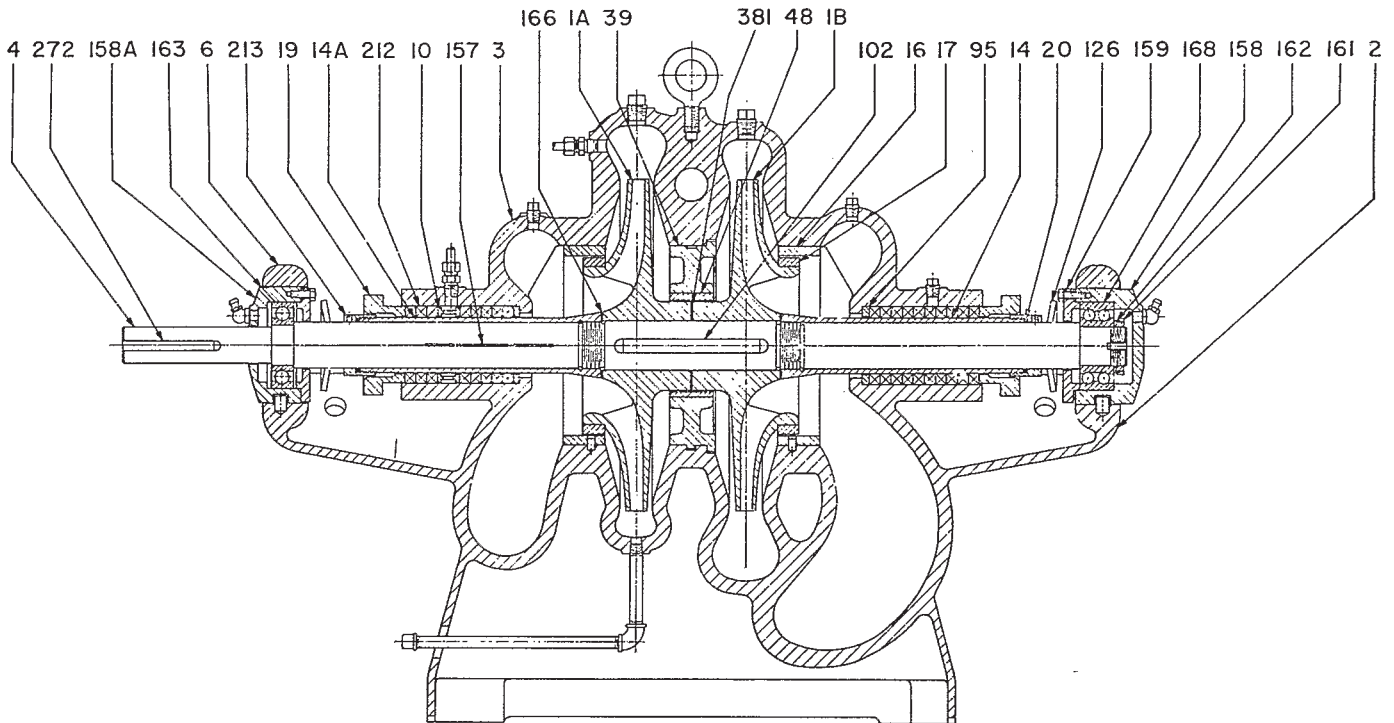
PART	IDENTIFICATION	PART	IDENTIFICATION	PART	IDENTIFICATION
1A	IMPELLER, 1st. STAGE	20	SEAL, SHAFT SLEEVE	161	NUT, BEARING LOCK
1B	IMPELLER, 2nd. STAGE	39	DIAPHRAGM	162	WASHER, BEARING LOCK
2	CASING, LOWER	48	BUSHING, DIAPHRAGM	163	BEARING, (INNER)
3	CASING, UPPER	76	SPACER	166	GASKET, SHAFT SLEEVE
4	SHAFT	77	COLLAR, LOCK	168	BEARING, (OUTER)
6	CAP, BEARING HOUSING	95	BUSHING, STUFFING BOX	188	SPACER
10	RING, WATER SEAL	102	KEY, IMPELLER	212	PACKING
13	RING, OIL	119	PLUG	213	NUT, SHAFT SLEEVE
14	SLEEVE, SHAFT	126	DEFLECTOR	261	RETAINER
14A	SLEEVE, SHAFT	157	GASKET, CASING	272	KEY, COUPLING
16	RING, CASING	158	HOUSING, BRG. (THRUST)	345	RING, RETAINER (EXTERNAL)
17	RING, IMPELLER	158A	HOUSING, BRG. (RADIAL)	373	GASKET, DIAPHRAGM
18	SPACER, BEARING	159	COVER, BEARING HOUSING	381	GASKET, IMPELLER
19	GLAND, SPLIT	159A	COVER, BRG. HSG. (THRUST)		

**5900  
MULTI-STAGE, HORIZONTAL, SPLIT CASE PUMPS  
CROSS-SECTIONS & PARTS**



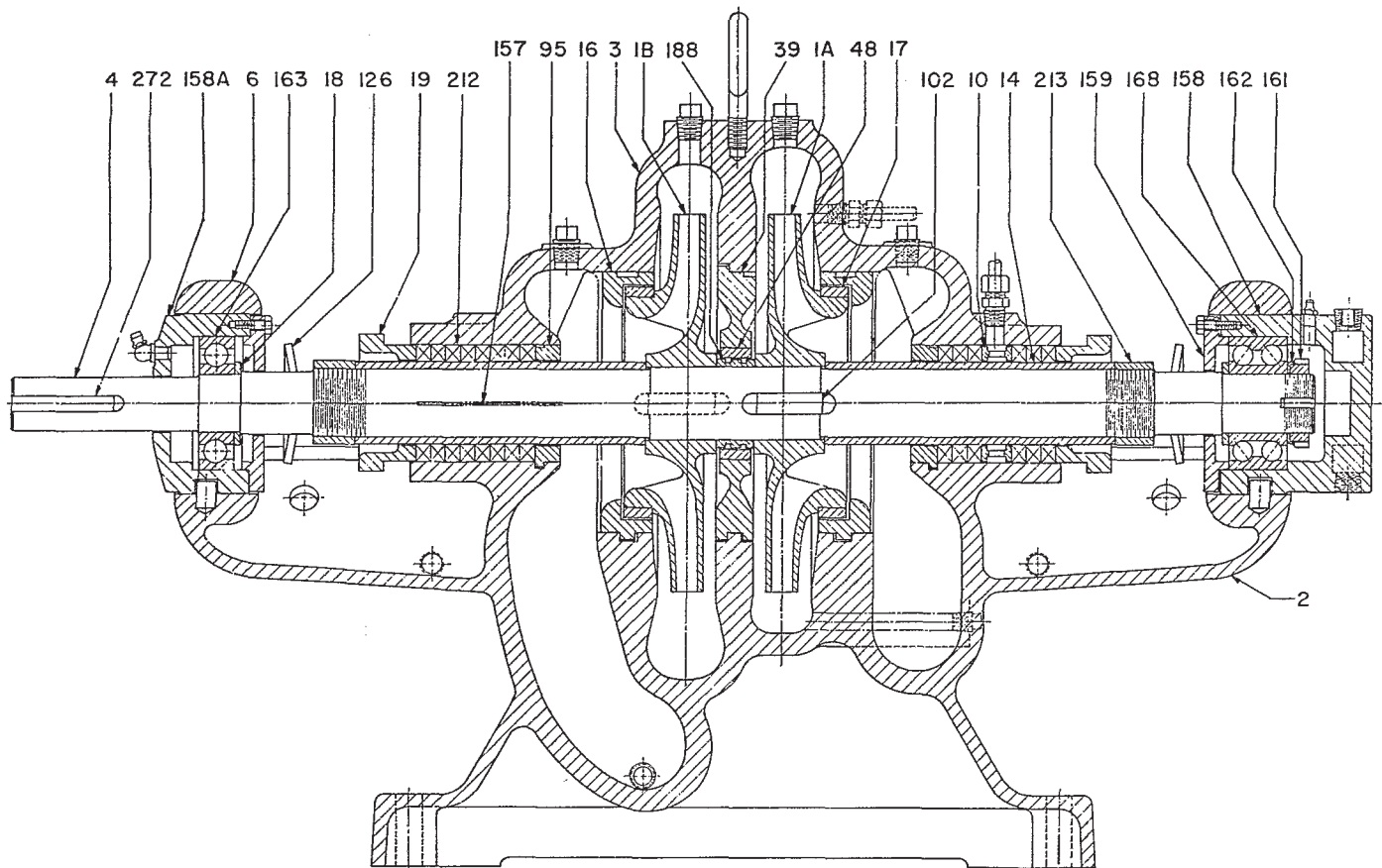
PART	IDENTIFICATION	PART	IDENTIFICATION	PART	IDENTIFICATION
1A	IMPELLER, 1st. STAGE	20	SEAL, SHAFT SLEEVE	161	NUT, BEARING LOCK
1B	IMPELLER, 2nd. STAGE	39	DIAPHRAGM	162	WASHER, BEARING LOCK
2	CASING, LOWER	48	BUSHING, DIAPHRAGM	163	BEARING, (INNER)
3	CASING, UPPER	76	SPACER	166	GASKET, SHAFT SLEEVE
4	SHAFT	77	COLLAR, LOCK	168	BEARING, (OUTER)
6	CAP, BEARING HOUSING	95	BUSHING, STUFFING BOX	188	SPACER
10	RING, WATER SEAL	102	KEY, IMPELLER	212	PACKING
13	RING, OIL	119	PLUG	213	NUT, SHAFT SLEEVE
14	SLEEVE, SHAFT	126	DEFLECTOR	261	RETAINER
14A	SLEEVE, SHAFT	157	GASKET, CASING	272	KEY, COUPLING
16	RING, CASING	158	HOUSING, BRG. (THRUST)	345	RING, RETAINER (EXTERNAL)
17	RING, IMPELLER	158A	HOUSING, BRG. (RADIAL)	373	GASKET, DIAPHRAGM
18	SPACER, BEARING	159	COVER, BEARING HOUSING	381	GASKET, IMPELLER
19	GLAND, SPLIT	159A	COVER, BRG. HSG. (THRUST)		

**5900  
 MULTI-STAGE, HORIZONTAL, SPLIT CASE PUMPS  
 CROSS-SECTIONS & PARTS**



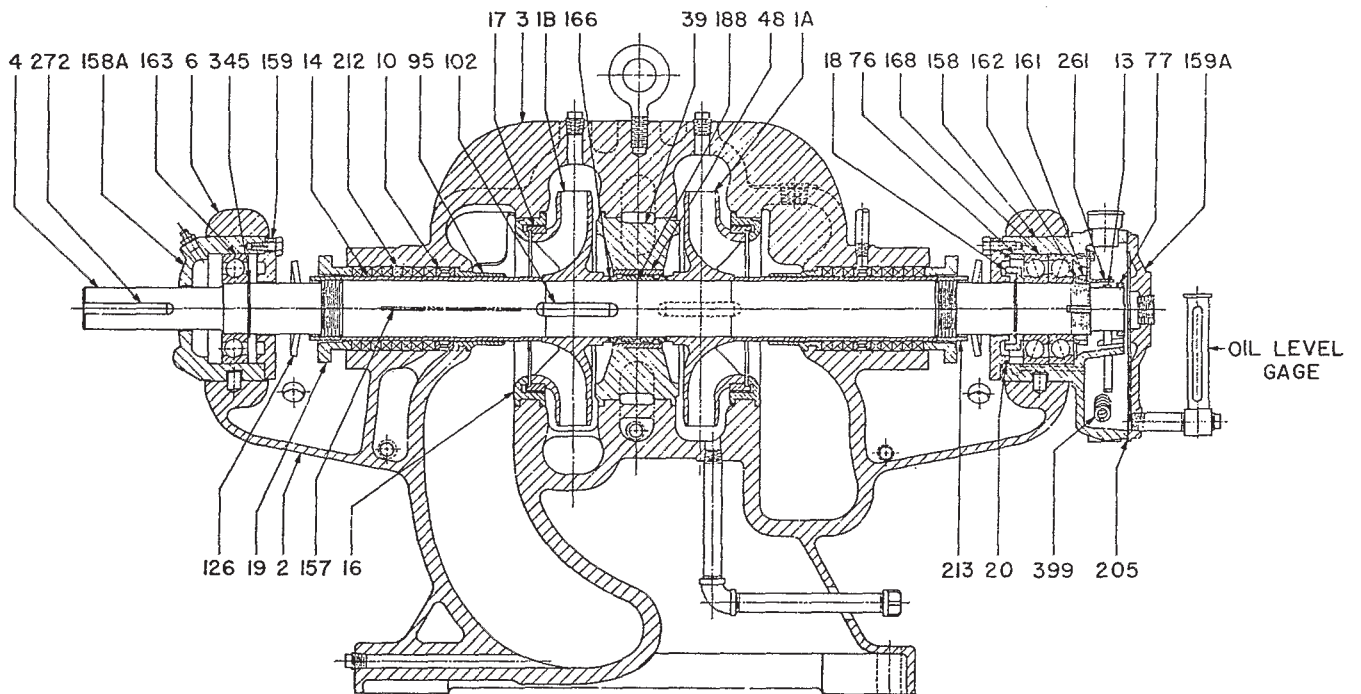
PART	IDENTIFICATION	PART	IDENTIFICATION	PART	IDENTIFICATION
1A	IMPELLER, 1st. STAGE	20	SEAL, SHAFT SLEEVE	161	NUT, BEARING LOCK
1B	IMPELLER, 2nd. STAGE	39	DIAPHRAGM	162	WASHER, BEARING LOCK
2	CASING, LOWER	48	BUSHING, DIAPHRAGM	163	BEARING, (INNER)
3	CASING, UPPER	76	SPACER	166	GASKET, SHAFT SLEEVE
4	SHAFT	77	COLLAR, LOCK	168	BEARING, (OUTER)
6	CAP, BEARING HOUSING	95	BUSHING, STUFFING BOX	188	SPACER
10	RING, WATER SEAL	102	KEY, IMPELLER	212	PACKING
13	RING, OIL	119	PLUG	213	NUT, SHAFT SLEEVE
14	SLEEVE, SHAFT	126	DEFLECTOR	261	RETAINER
14A	SLEEVE, SHAFT	157	GASKET, CASING	272	KEY, COUPLING
16	RING, CASING	158	HOUSING, BRG. (THRUST)	345	RING, RETAINER (EXTERNAL)
17	RING, IMPELLER	158A	HOUSING, BRG. (RADIAL)	373	GASKET, DIAPHRAGM
18	SPACER, BEARING	159	COVER, BEARING HOUSING	381	GASKET, IMPELLER
19	GLAND, SPLIT	159A	COVER, BRG. HSG. (THRUST)		

**5900  
MULTI-STAGE, HORIZONTAL, SPLIT CASE PUMPS  
CROSS-SECTIONS & PARTS**



PART	IDENTIFICATION	PART	IDENTIFICATION	PART	IDENTIFICATION
1A	IMPELLER, 1st. STAGE	20	SEAL, SHAFT SLEEVE	161	NUT, BEARING LOCK
1B	IMPELLER, 2nd. STAGE	39	DIAPHRAGM	162	WASHER, BEARING LOCK
2	CASING, LOWER	48	BUSHING, DIAPHRAGM	163	BEARING, (INNER)
3	CASING, UPPER	76	SPACER	166	GASKET, SHAFT SLEEVE
4	SHAFT	77	COLLAR, LOCK	168	BEARING, (OUTER)
6	CAP, BEARING HOUSING	95	BUSHING, STUFFING BOX	188	SPACER
10	RING, WATER SEAL	102	KEY, IMPELLER	212	PACKING
13	RING, OIL	119	PLUG	213	NUT, SHAFT SLEEVE
14	SLEEVE, SHAFT	126	DEFLECTOR	261	RETAINER
14A	SLEEVE, SHAFT	157	GASKET, CASING	272	KEY, COUPLING
16	RING, CASING	158	HOUSING, BRG. (THRUST)	345	RING, RETAINER (EXTERNAL)
17	RING, IMPELLER	158A	HOUSING, BRG. (RADIAL)	373	GASKET, DIAPHRAGM
18	SPACER, BEARING	159	COVER, BEARING HOUSING	381	GASKET, IMPELLER
19	GLAND, SPLIT	159A	COVER, BRG. HSG. (THRUST)		

**5900  
 MULTI-STAGE, HORIZONTAL, SPLIT CASE PUMPS  
 CROSS-SECTIONS & PARTS**



PART	IDENTIFICATION	PART	IDENTIFICATION	PART	IDENTIFICATION
1A	IMPELLER, 1st. STAGE	20	SEAL, SHAFT SLEEVE	161	NUT, BEARING LOCK
1B	IMPELLER, 2nd. STAGE	39	DIAPHRAGM	162	WASHER, BEARING LOCK
2	CASING, LOWER	48	BUSHING, DIAPHRAGM	163	BEARING, (INNER)
3	CASING, UPPER	76	SPACER	166	GASKET, SHAFT SLEEVE
4	SHAFT	77	COLLAR, LOCK	168	BEARING, (OUTER)
6	CAP, BEARING HOUSING	95	BUSHING, STUFFING BOX	188	SPACER
10	RING, WATER SEAL	102	KEY, IMPELLER	212	PACKING
13	RING, OIL	119	PLUG	213	NUT, SHAFT SLEEVE
14	SLEEVE, SHAFT	126	DEFLECTOR	261	RETAINER
14A	SLEEVE, SHAFT	157	GASKET, CASING	272	KEY, COUPLING
16	RING, CASING	158	HOUSING, BRG. (THRUST)	345	RING, RETAINER (EXTERNAL)
17	RING, IMPELLER	158A	HOUSING, BRG. (RADIAL)	373	GASKET, DIAPHRAGM
18	SPACER, BEARING	159	COVER, BEARING HOUSING	381	GASKET, IMPELLER
19	GLAND, SPLIT	159A	COVER, BRG. HSG. (THRUST)		

**WARRANTY TO BE PLACED HERE**