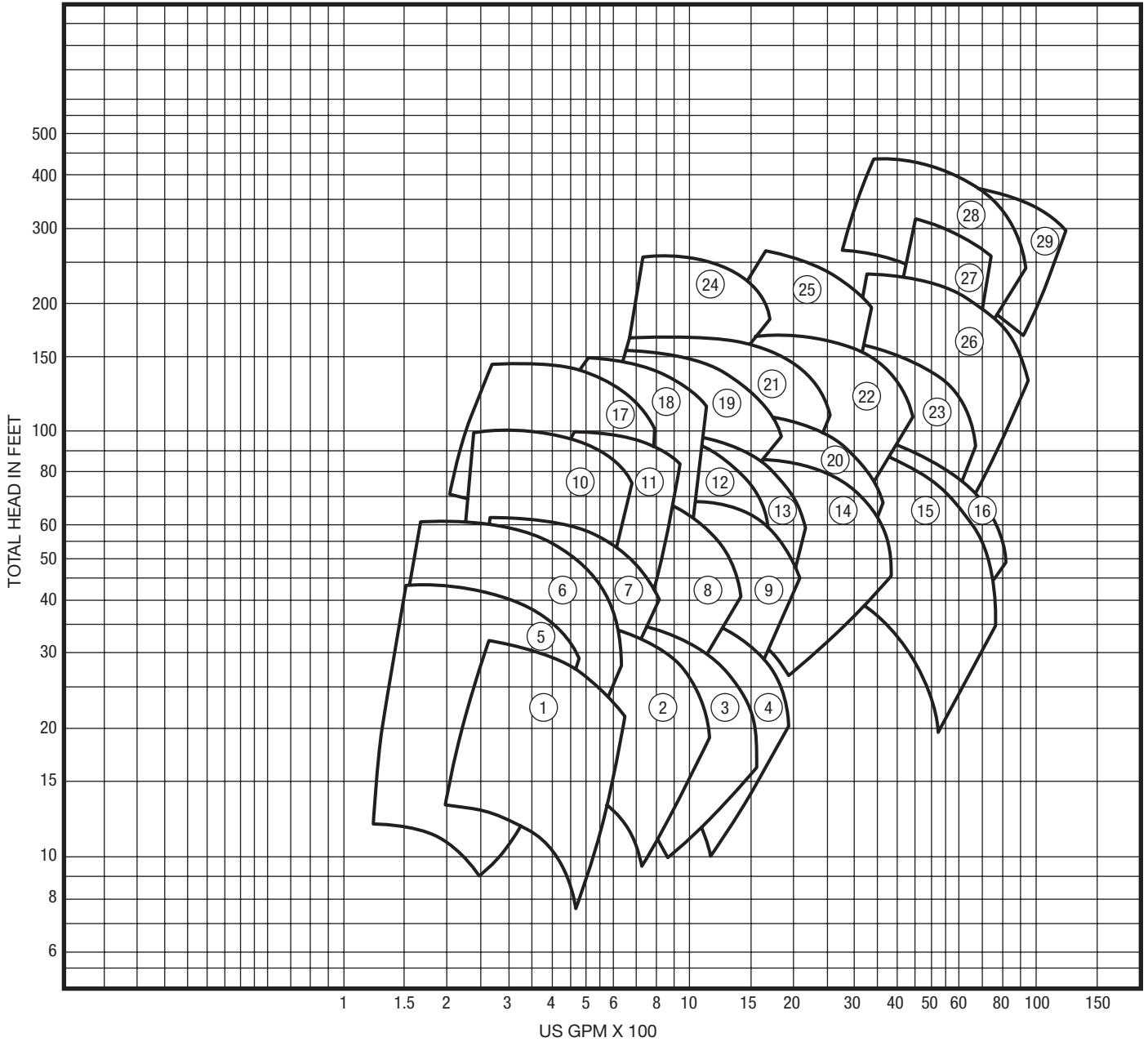


Hydraulic Coverage Chart – 5800 Horizontal Split Case Pumps Performance

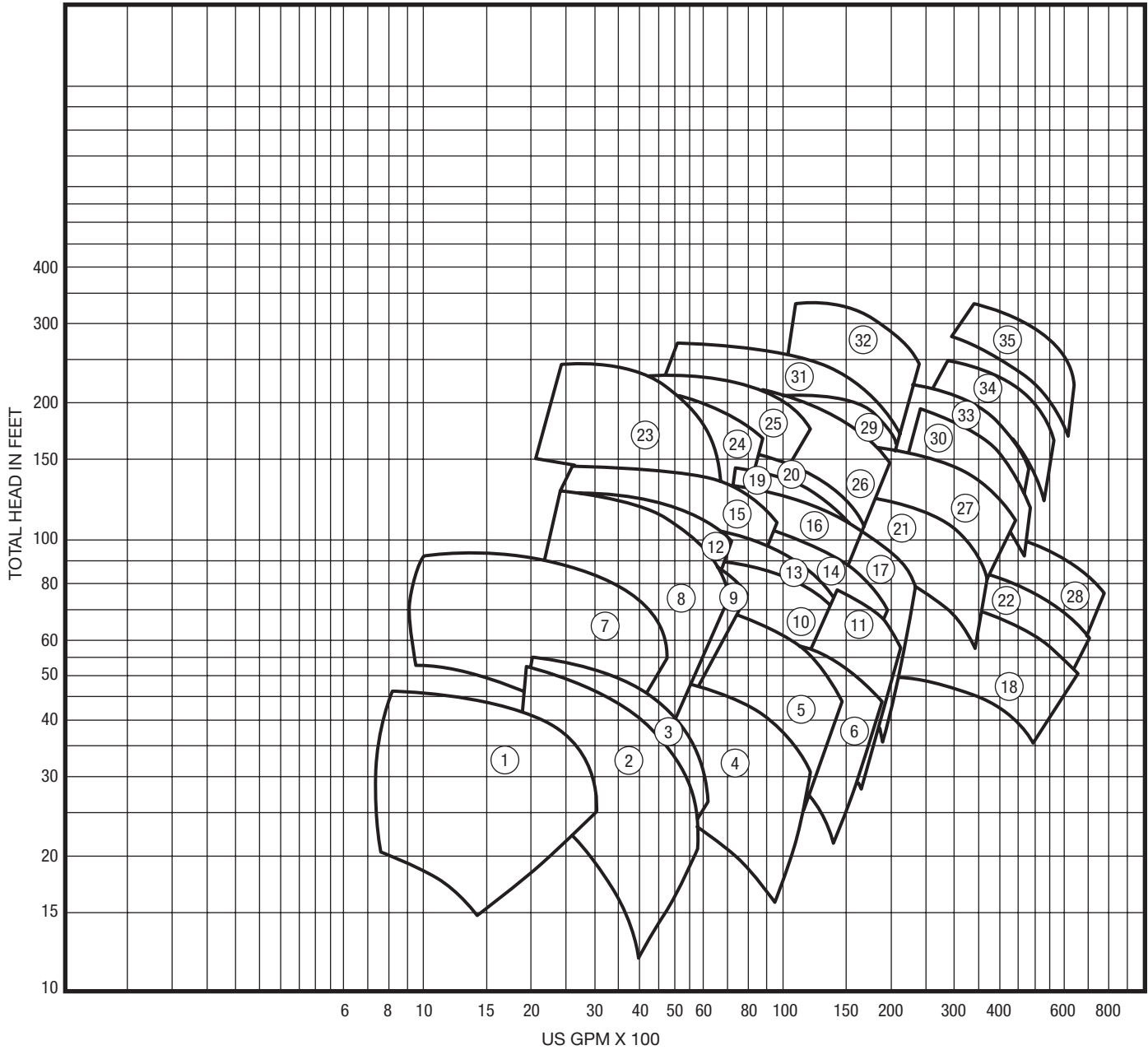


No.	Pump	RPM
1	5" 5821	1165
2	6" 5821	1170
3	8" 5821	1170
4	8" 5821	1175
5	4" 5821	1165
6	4" 5822	1170
7	5" 5822	1170
8	6" 5822	1175
9	8" 5822	1180
10	4" 5823	1175

No.	Pump	RPM
11	5" 5823	1175
12	6" 5823	1180
13	8" 5823	1185
14	10" 5821	1185
15	12" 5821	1185
16	14" 5821	1185
17	4" 5824	1180
18	5" 5824	1185
19	6" 5824	1185
20	10" 5823	1185

No.	Pump	RPM
21	8" 5824	1185
22	10" 5824	1185
23	12" 5822	1185
24	6" 5826	1185
25	8" 5826	1185
26	12" 5823	1185
27	10" 5826	1185
28	10" 5825	1185
29	16" 5823	1185

Hydraulic Coverage Chart – 5800 Horizontal Split Case Pumps Performance



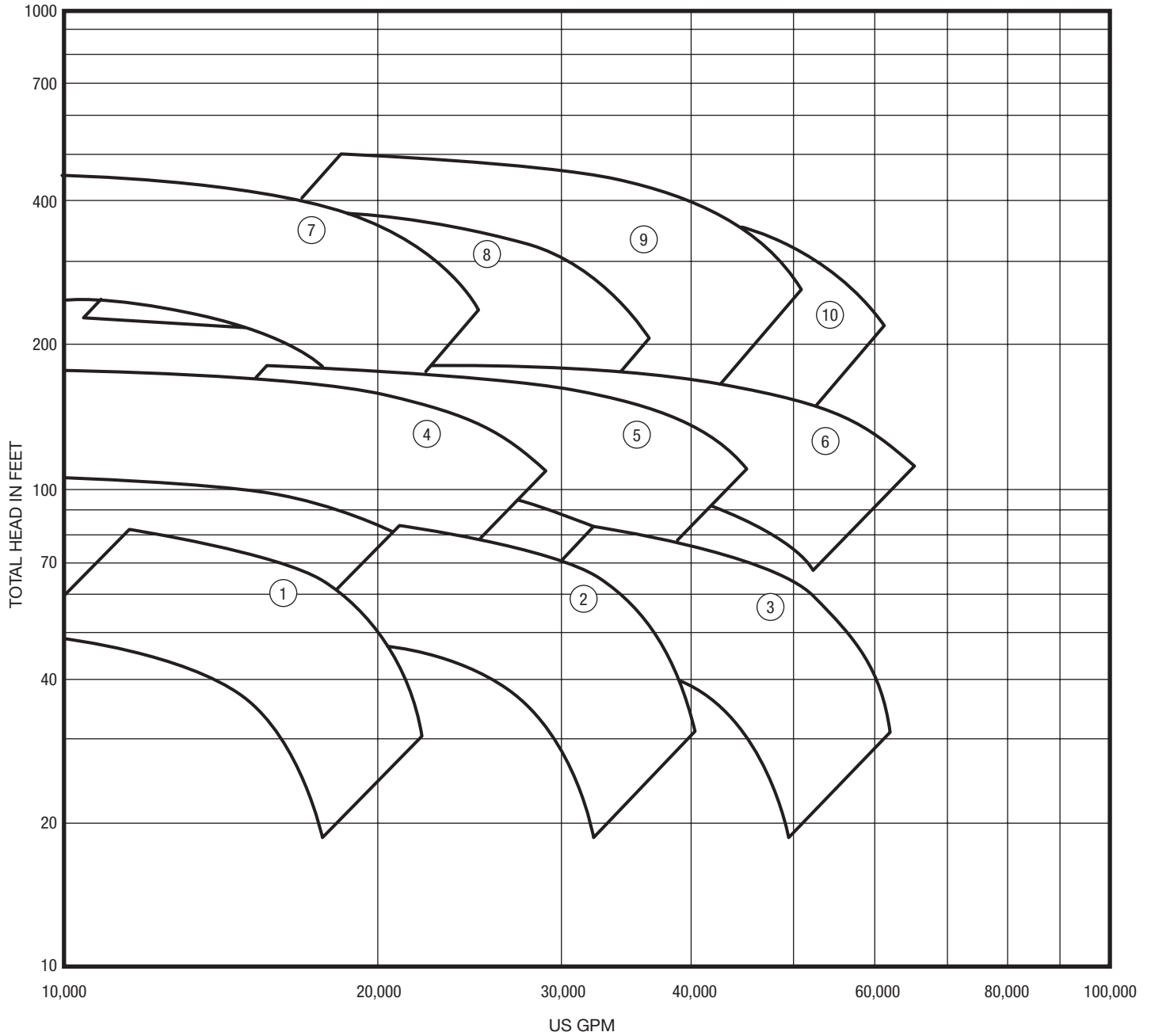
No.	Pump	RPM
1	10" 5821	880
2	12" 5821	885
3	14" 5821	885
4	20" 5821	585
5	20" 5821	705
6	24" 5822	440
7	12" 5822	885
8	12" 5823	890
9	16" 5823	585

No.	Pump	RPM
10	20" 5822	585
11	24" 5822	505
12	16" 5823	705
13	20" 5823	585
14	20" 5821	890
15	16" 5823	705
16	20" 5822	705
17	24" 5822	585
18	36" 5821	320

No.	Pump	RPM
19	20" 5824	585
20	20" 5823	705
21	30" 5823	440
22	36" 5821	350
23	10" 5826	890
24	16" 5823	890
25	16" 5823	890
26	20" 5824	705
27	30" 5823	505

No.	Pump	RPM
28	36" 5821	390
29	20" 5822	890
30	36" 5824	440
31	20" 5823	890
32	20" 5824	890
33	30" 5823	585
34	36" 5824	505
35	36" 5824	585

Hydraulic Coverage Chart – 5800 Horizontal Split Case Pumps Performance



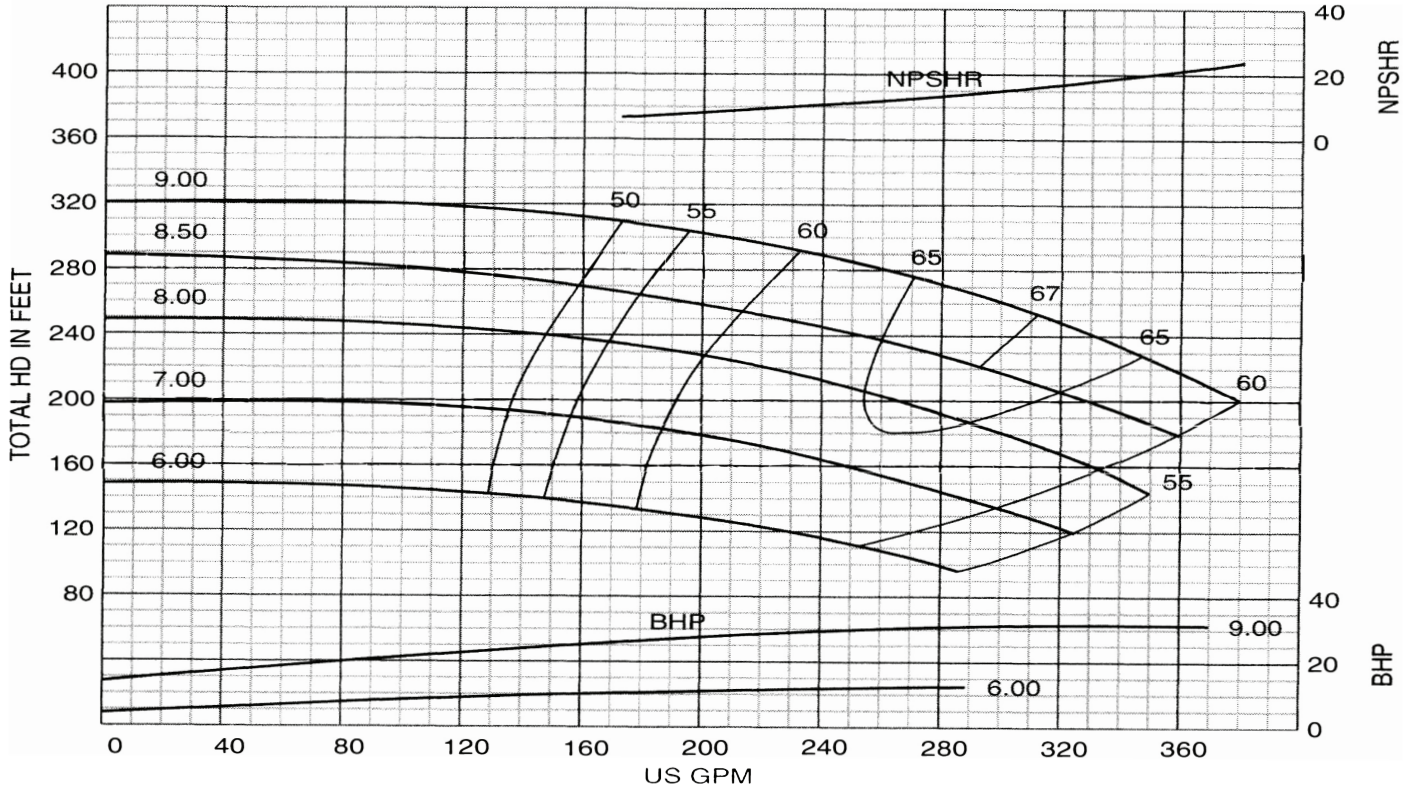
No.	Pump	RPM
1	20" 5822A	1185
2	24" 5823A	885
3	30" 5822A	709
4	20" 5825A	885
5	24" 5825A	709

No.	Pump	RPM
6	30" 5825A	591
7	20" 5826A	1185
8	24" 5826A	885
9	30" 5826A	885
10	36" 5826A	709

Performance Curve - 2" 5874

IMPELLER: G2A1B SUCTION: 3" INLET: 8.8 in²

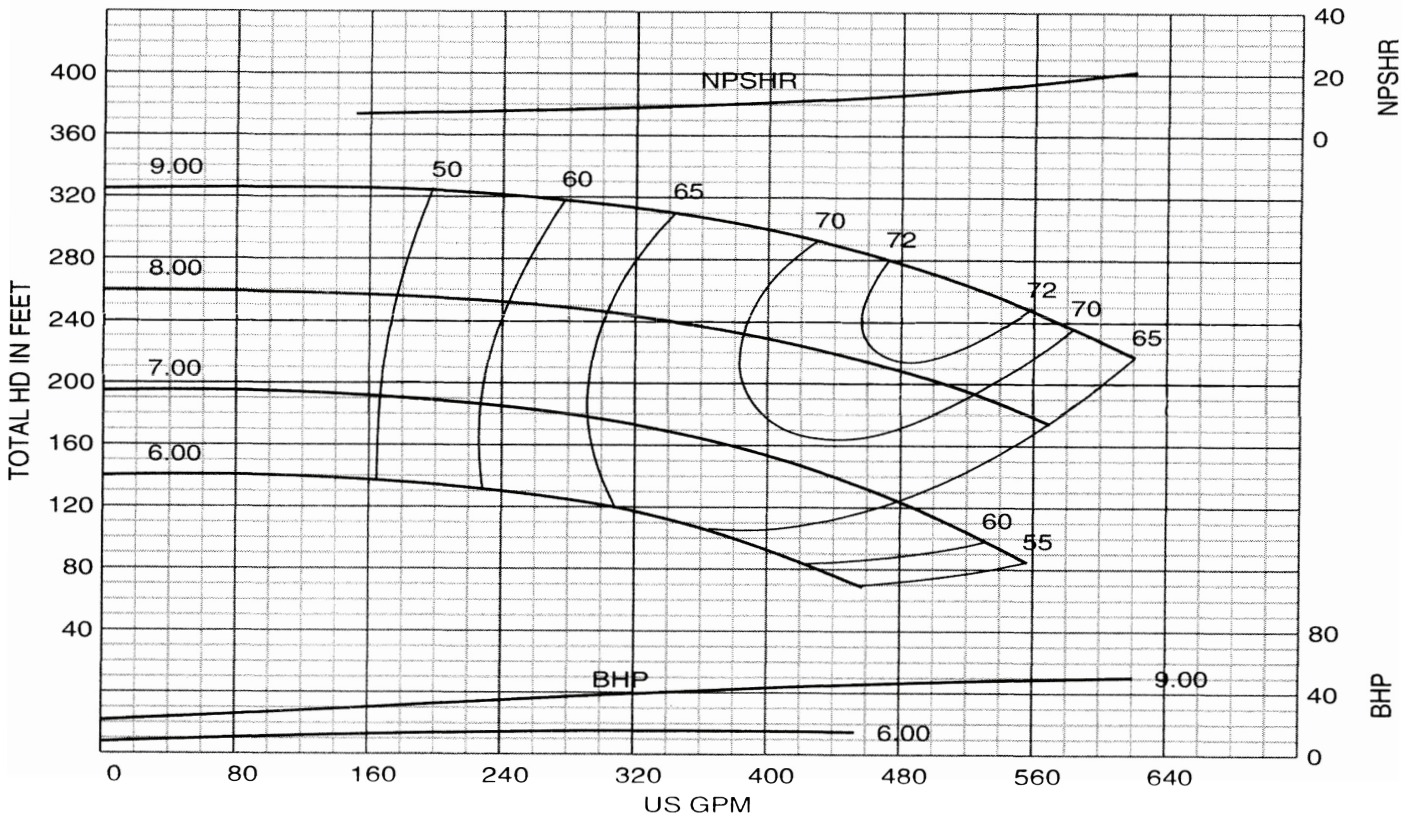
RPM: 3550 SOLIDS: 1/4"



Performance Curve - 3" 5874

IMPELLER: G3A1B SUCTION: 4" INLET: 10.6 in²

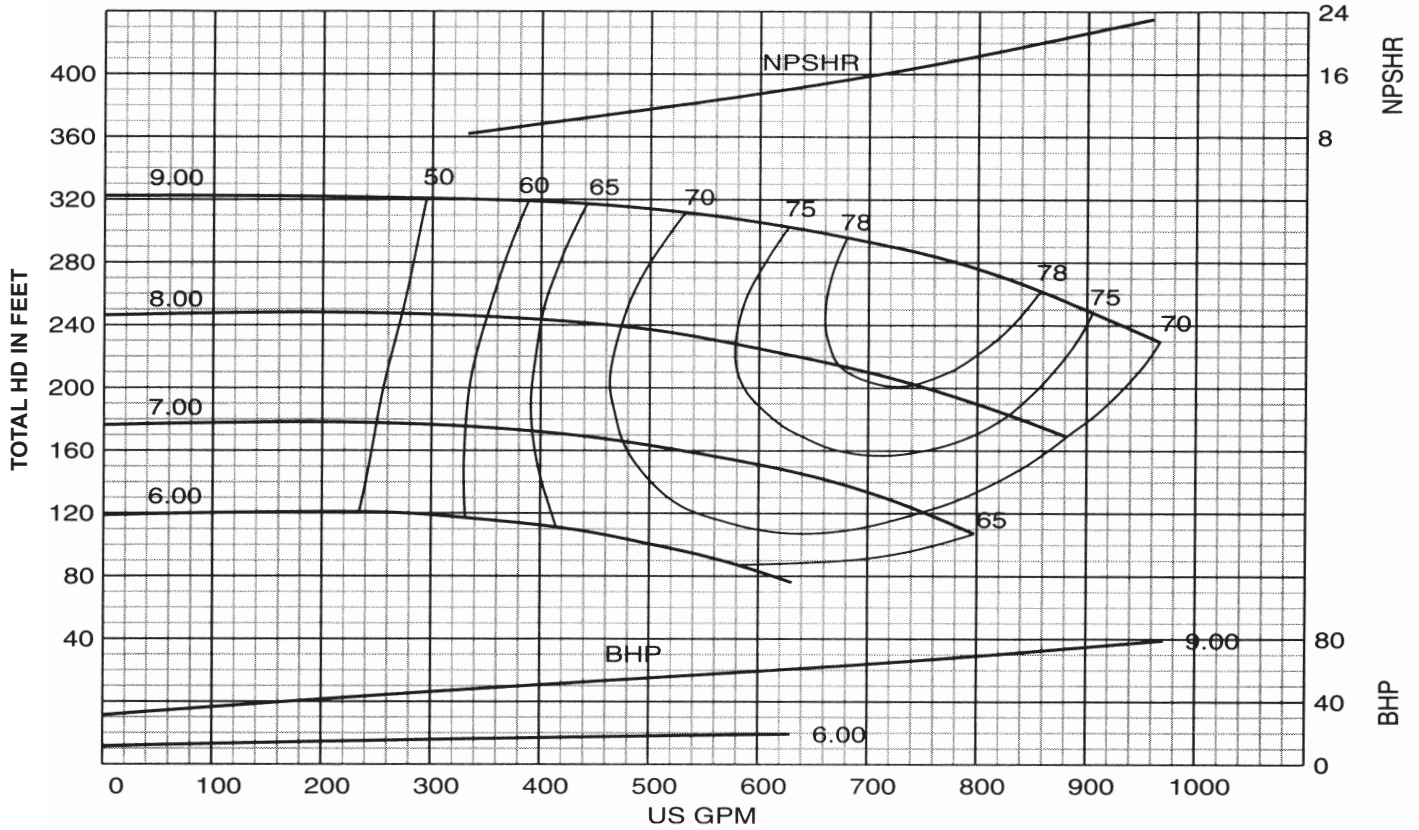
RPM: 3550 SOLIDS: 7/16"



Performance Curve - 4" 5874

IMPELLER: G4A1A SUCTION: 5" INLET: 16.6 in²

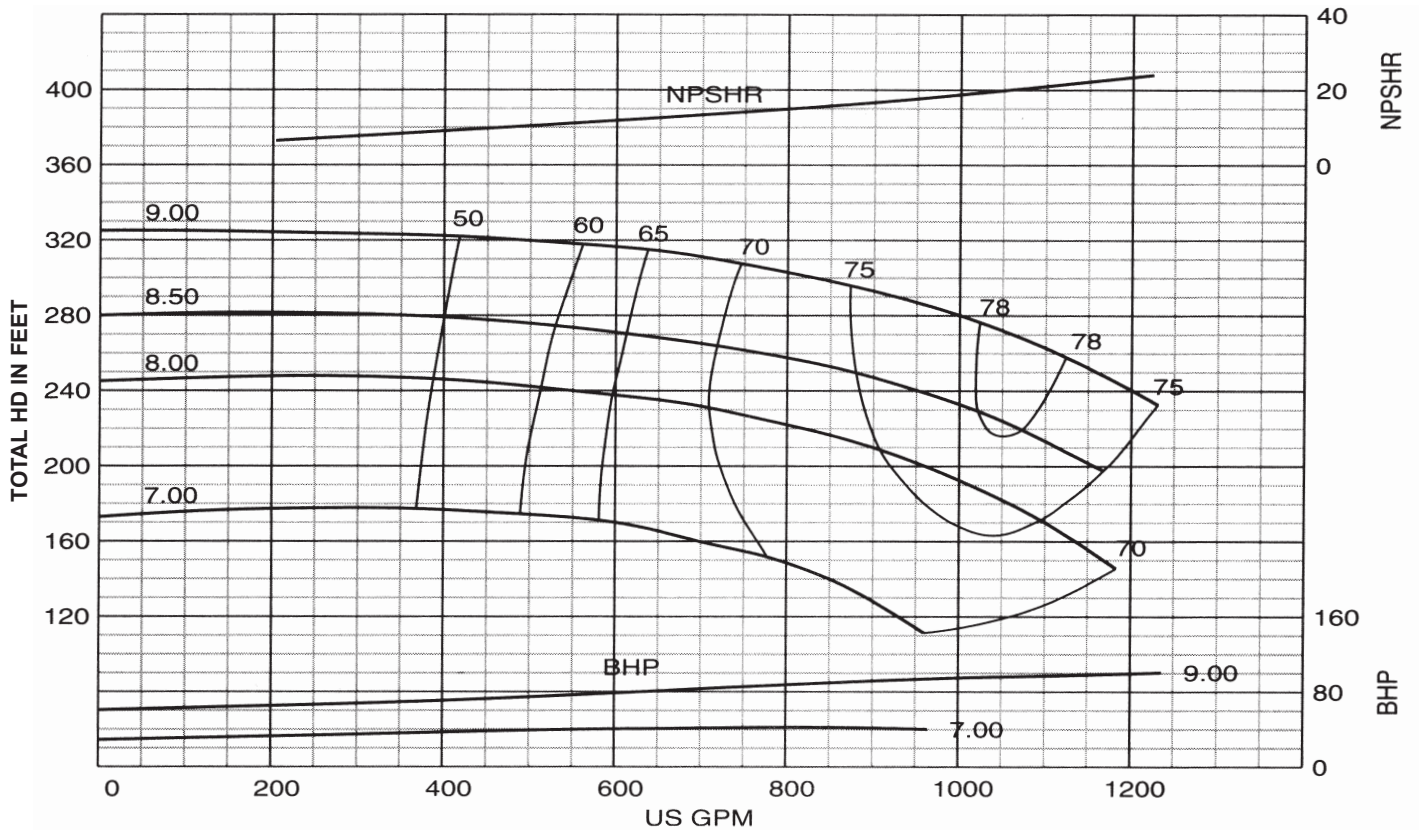
RPM: 3550 SOLIDS: .5"



Performance Curve - 5" 5874

IMPELLER: G5A1A SUCTION: 6" INLET: 24.2 in²

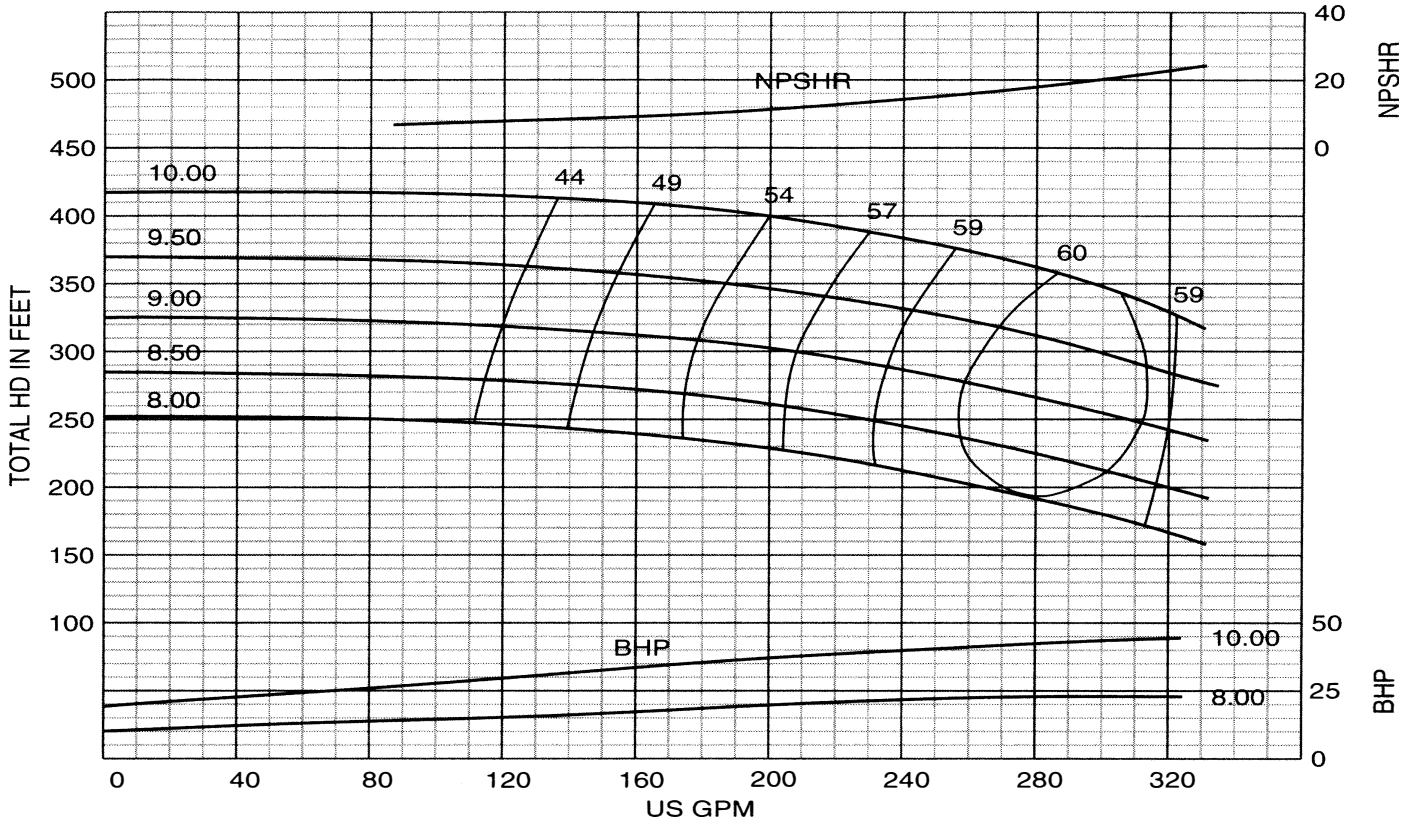
RPM: 3550 SOLIDS: .5625"



Performance Curve - 2" 5876

RPM: **3560** SOLIDS: **1/4"**

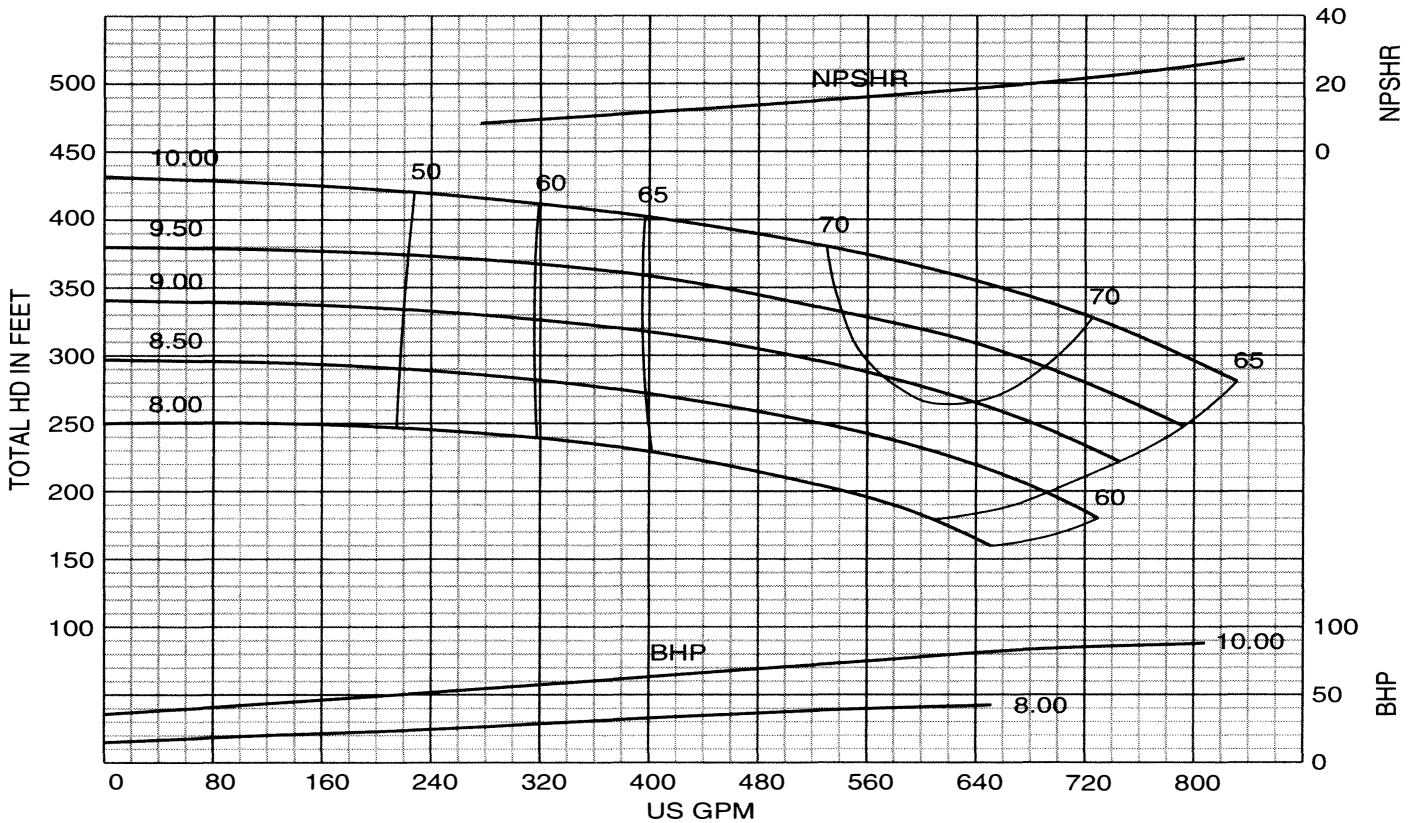
IMPELLER: **G2B1A** SUCTION: **3"** INLET: **7.2 in²**



Performance Curve - 3" 5876

RPM: **3570** SOLIDS: **7/16"**

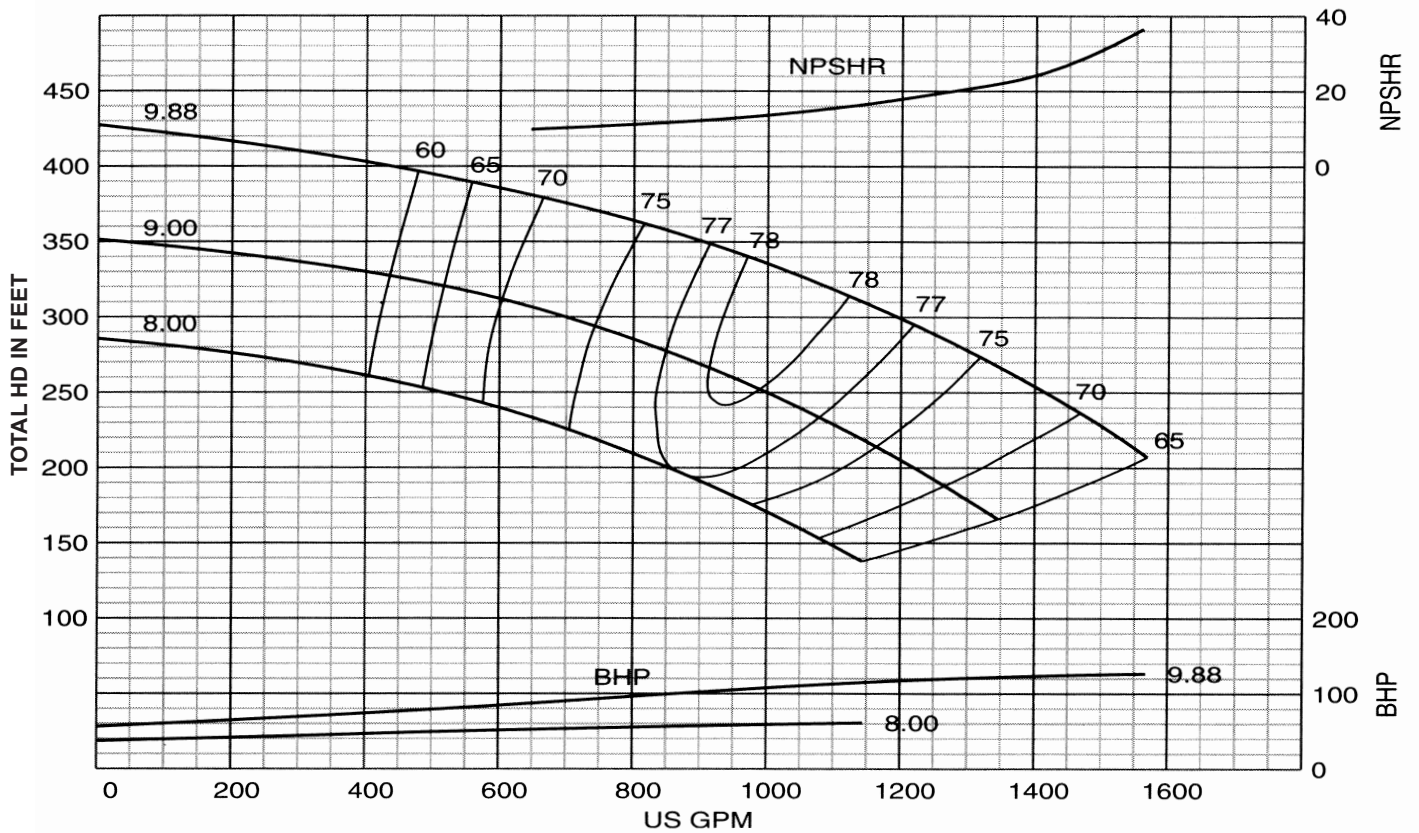
IMPELLER: **G3B1A** SUCTION: **4"** INLET: **13.0 in²**



Performance Curve - 4" 5876

IMPELLER: G4B1A SUCTION: 6" INLET: 21.9 in²

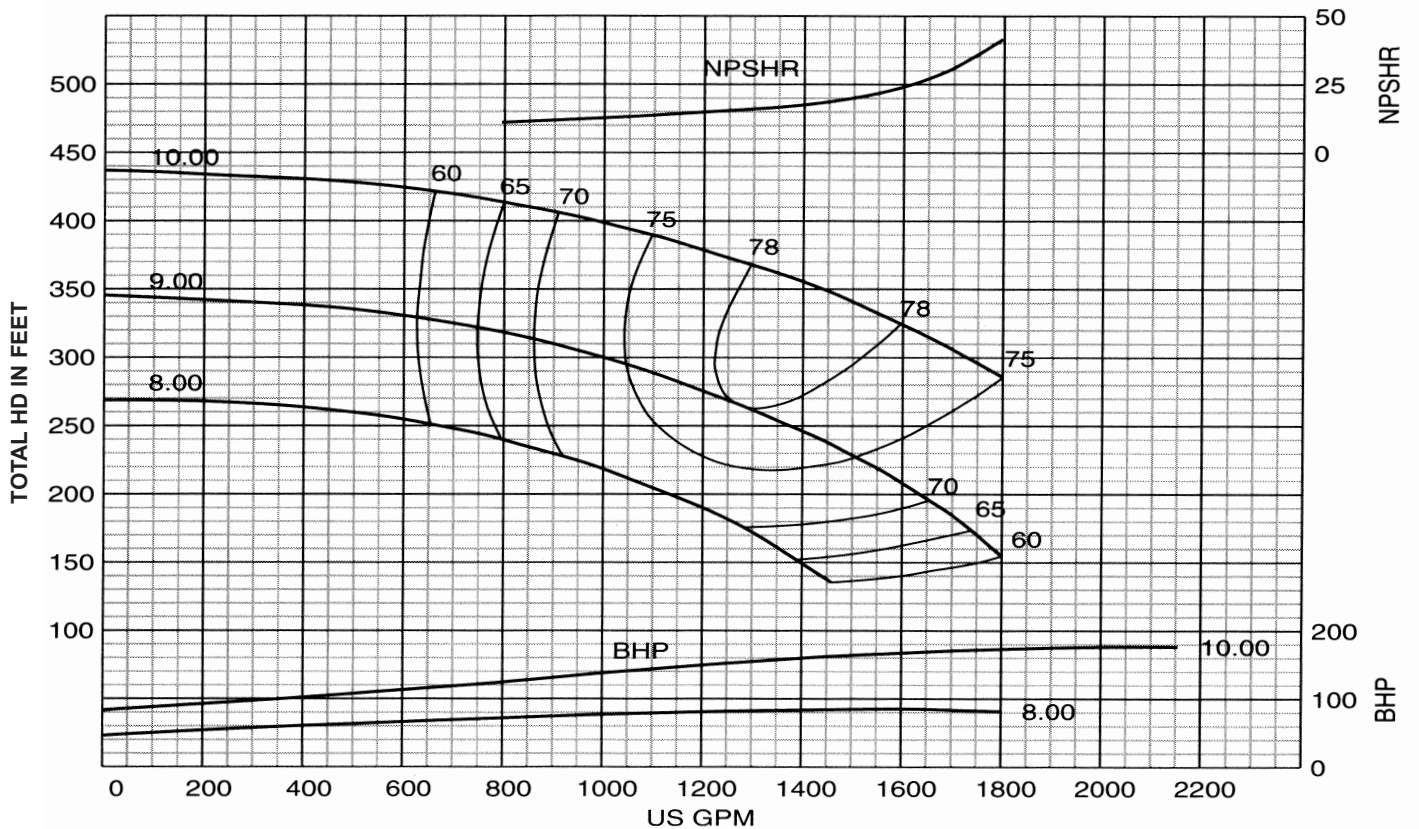
RPM: 5876 SOLIDS: .5"



Performance Curve - 5" 5876

IMPELLER: G5B1A SUCTION: 8" INLET: 24.7 in²

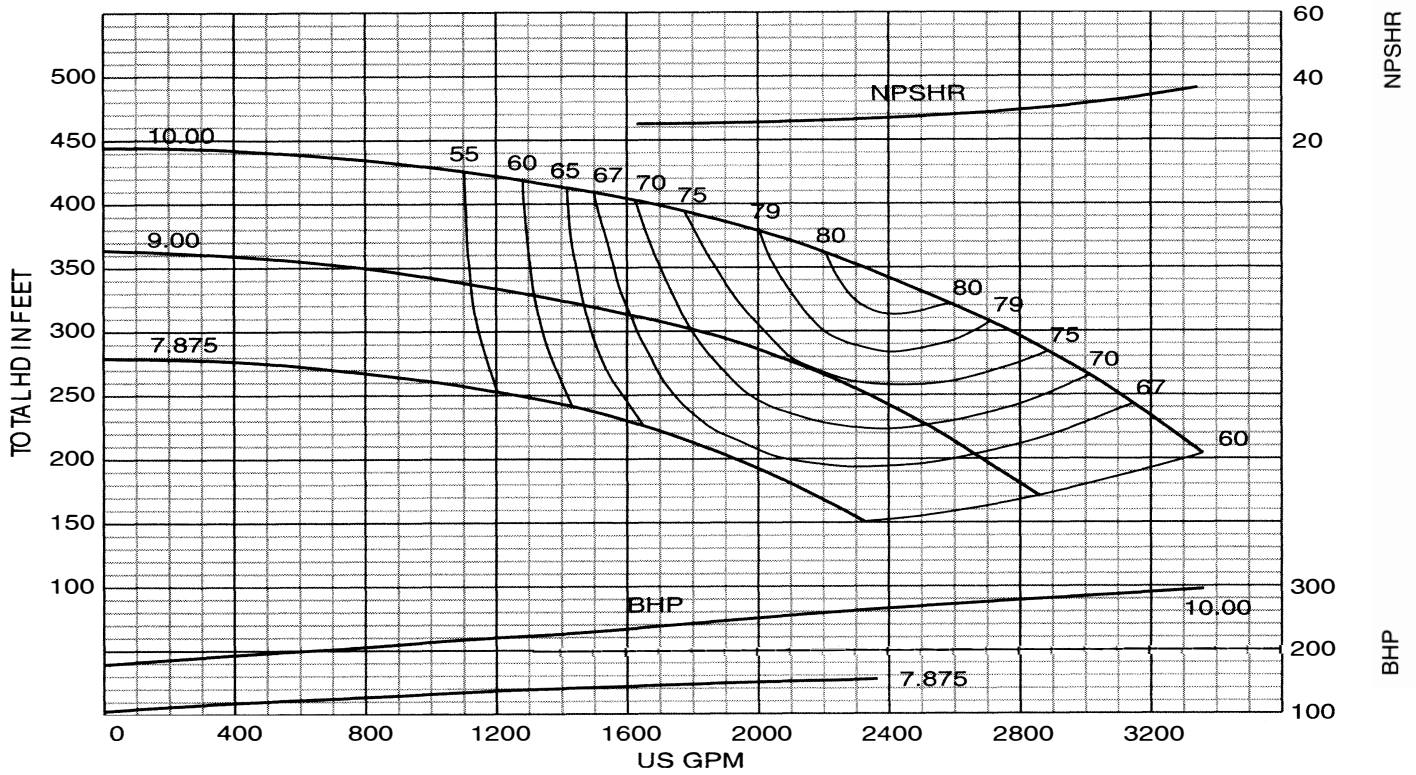
RPM: 3565 SOLIDS: .625"



Performance Curve - 6" 5876

RPM: **3565** SOLIDS: **.625"**

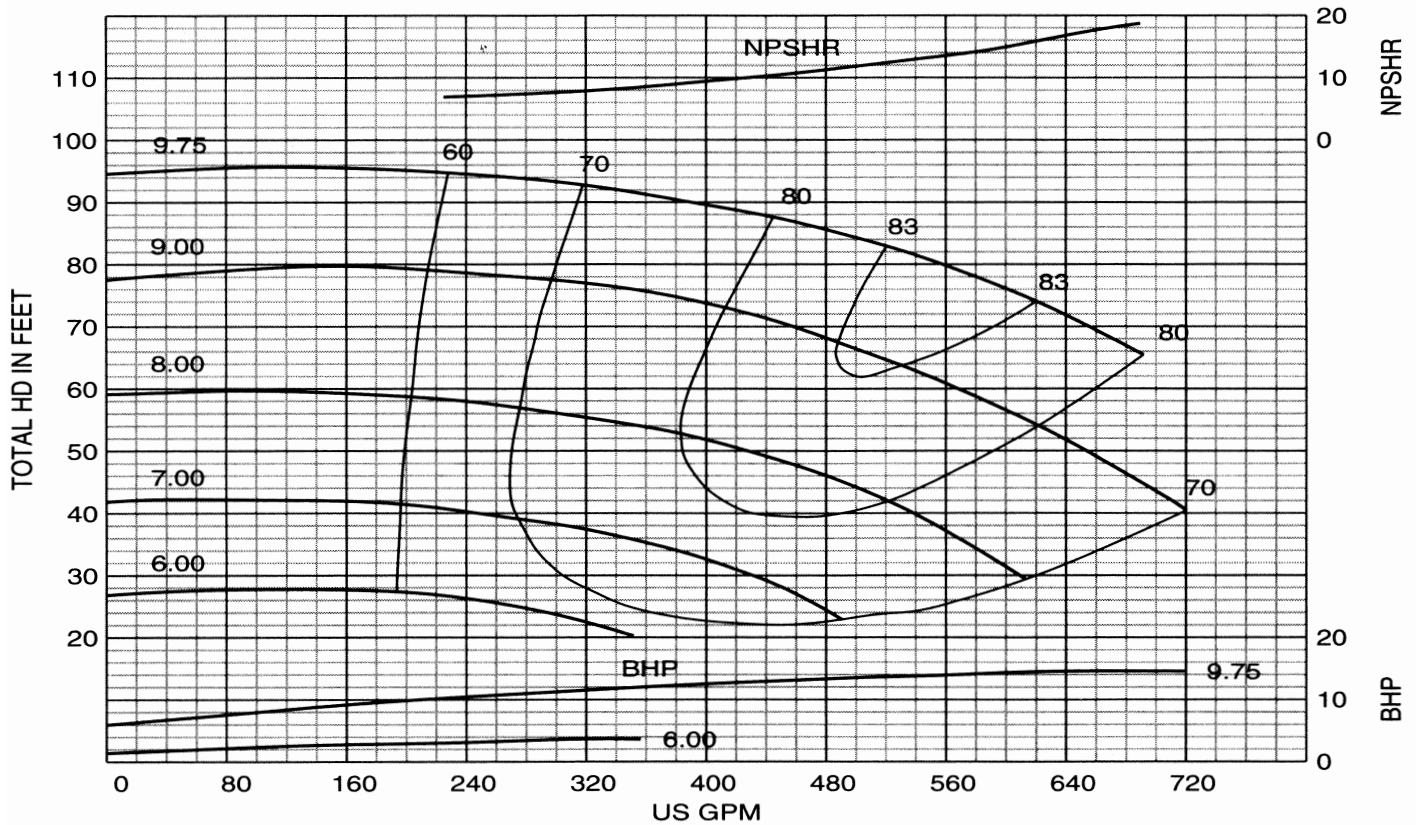
IMPELLER: **G6B1A** SUCTION: **10"** INLET: **46.7 in²**



Performance Curve - 4" 5821

RPM: **1760** SOLIDS: **5/8"**

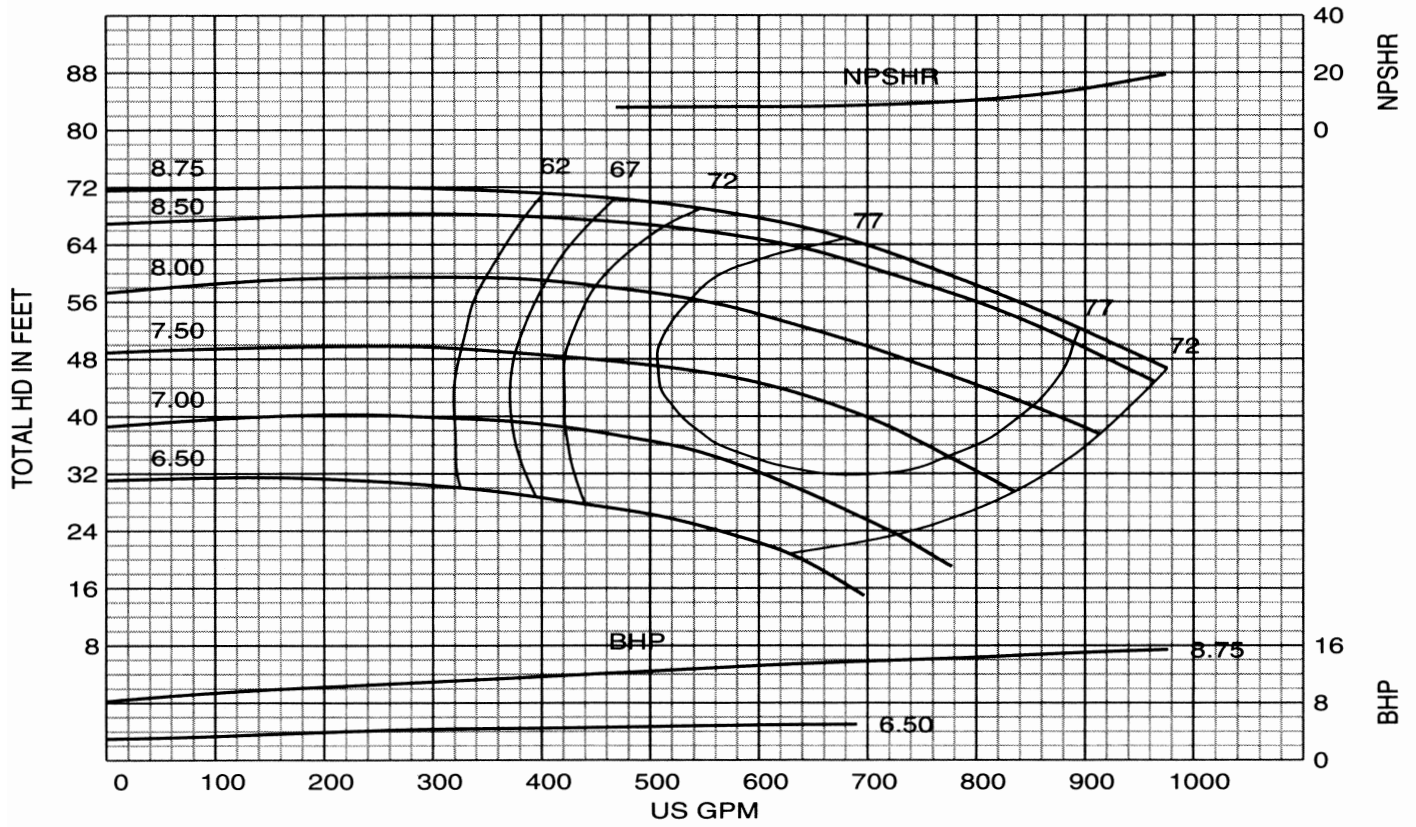
IMPELLER: **D4C1A** SUCTION: **5"** INLET: **20.0 in²**



Performance Curve – 5" 5821

IMPELLER: D5C1BA SUCTION: 6" INLET: 25.0 in²

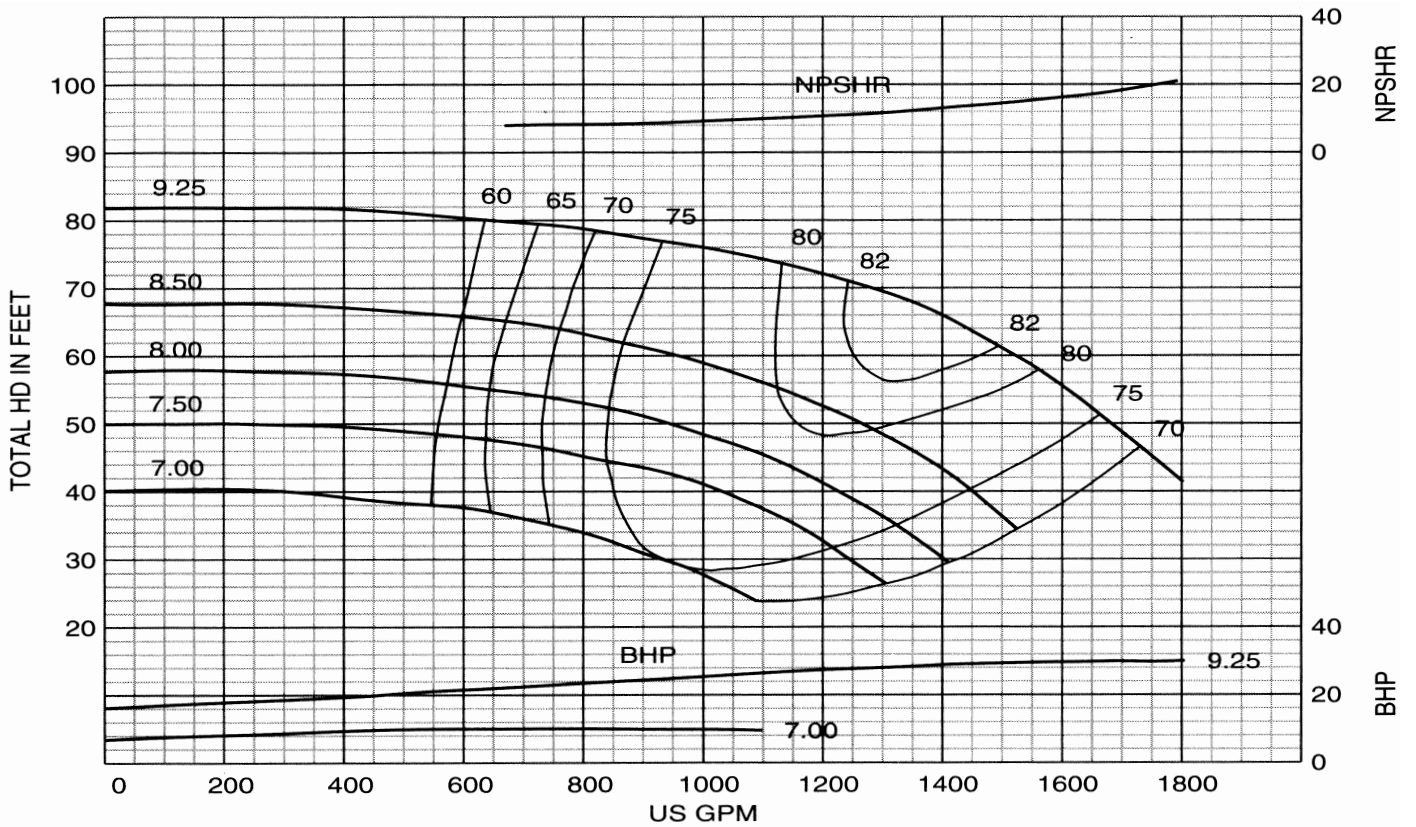
RPM: 1760 SOLIDS: 3/4"



Performance Curve – 6" 5821

IMPELLER: D6C1A SUCTION: 8" INLET: 37.2 in²

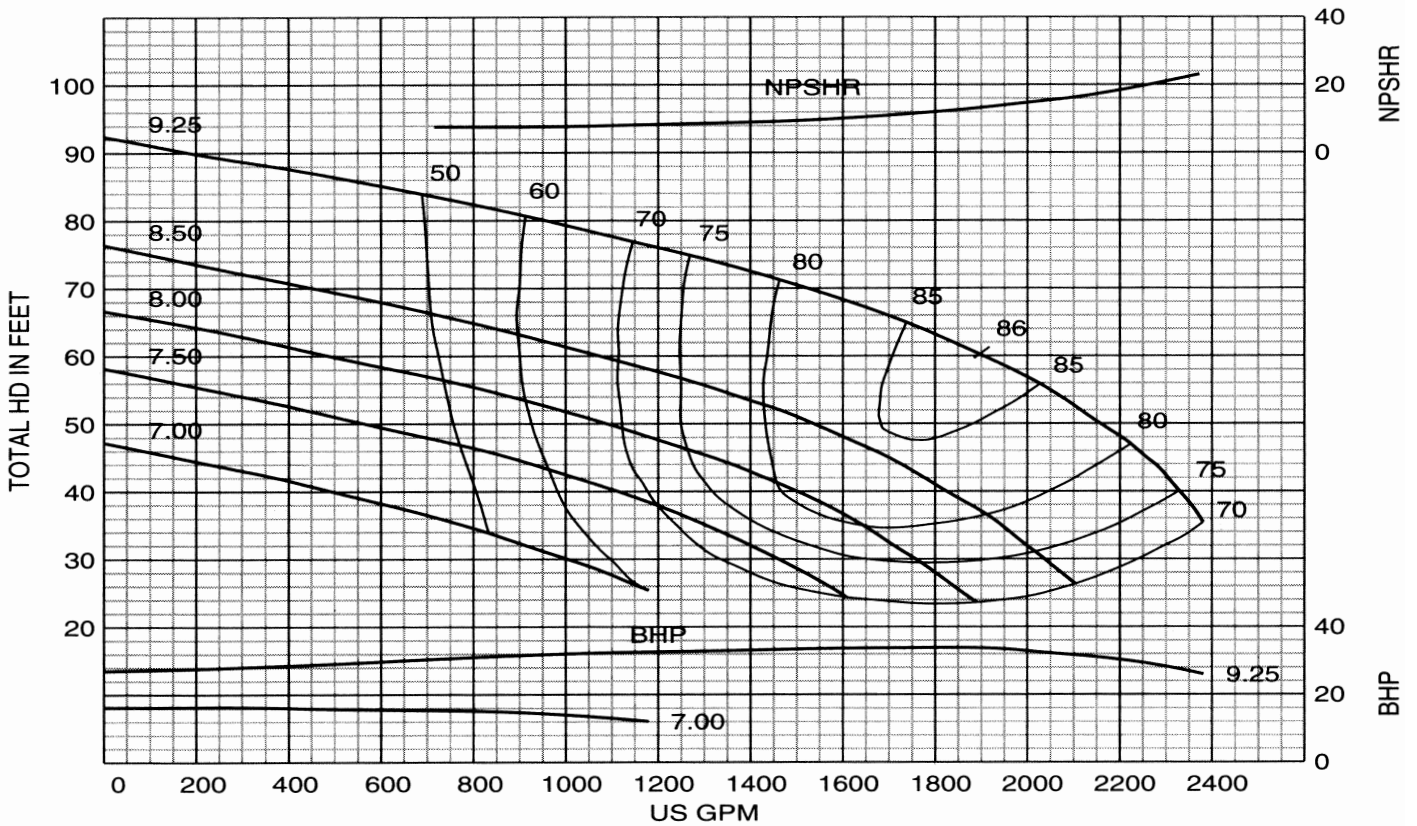
RPM: 1770 SOLIDS: 3/4"



Performance Curve - 8" 5821

RPM: **5821** SOLIDS: **11/16"**

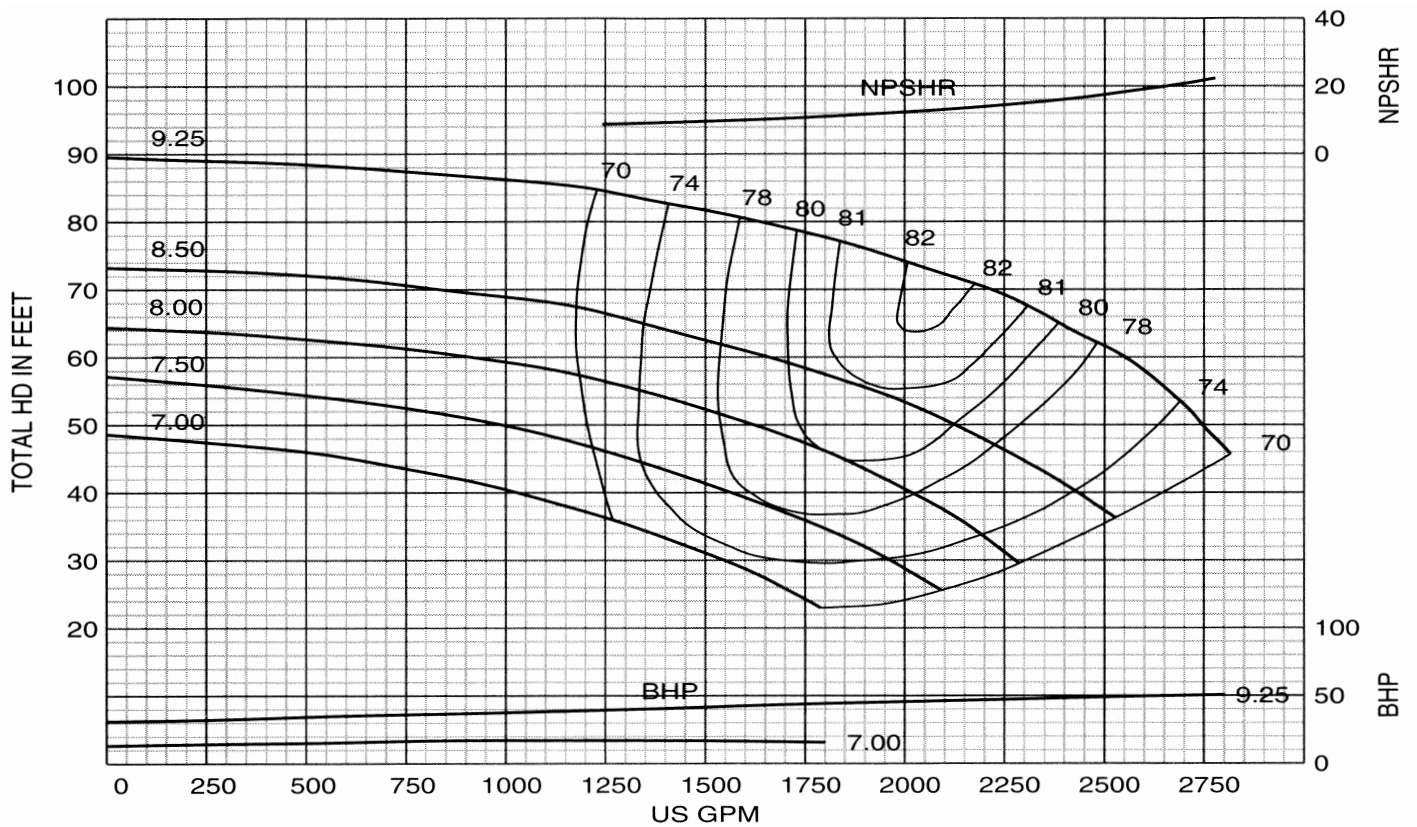
IMPELLER: **D8C1A** SUCTION: **10"** INLET: **60.6 in²**



Performance Curve - 8" 5821

RPM: **1775** SOLIDS: **11/16"**

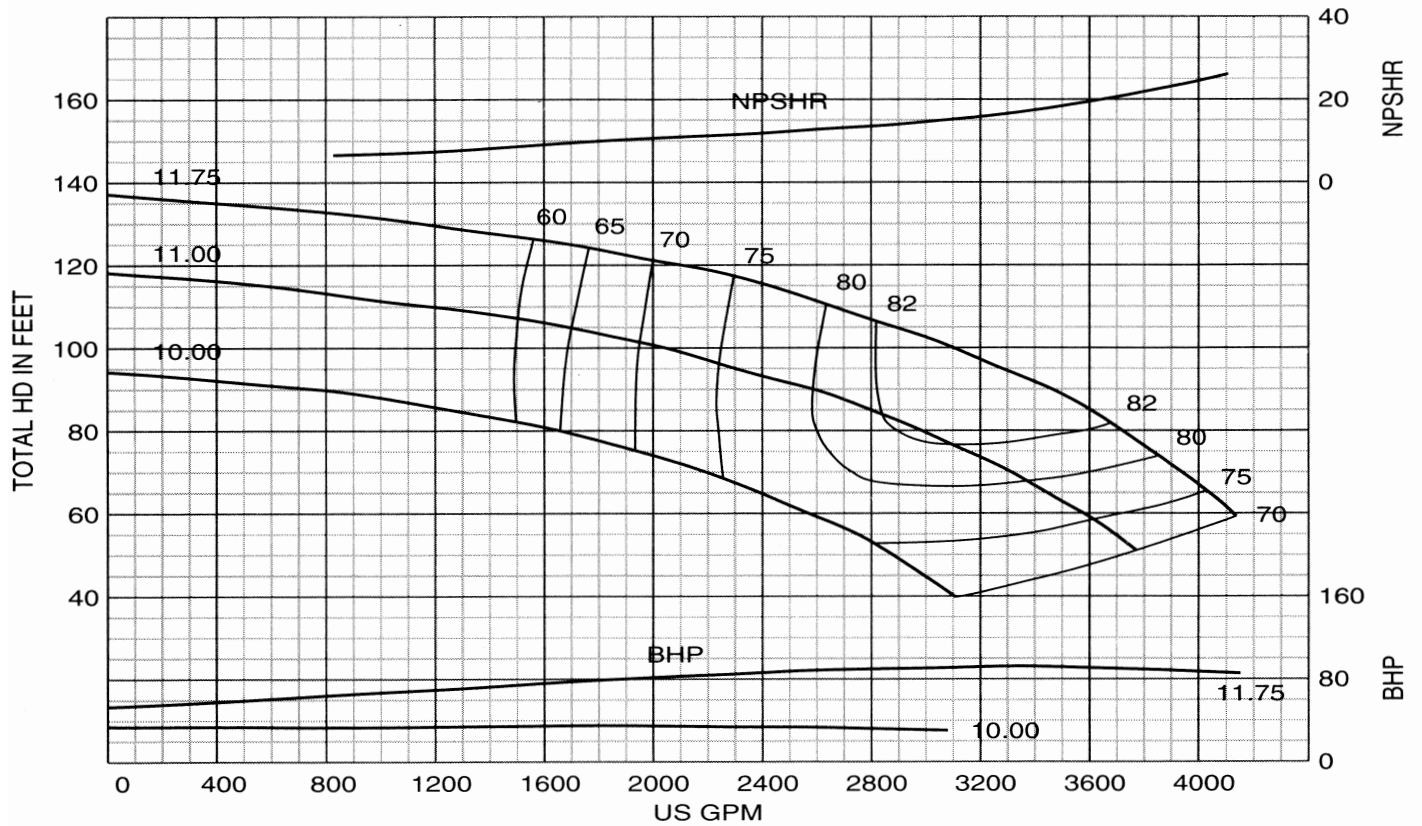
IMPELLER: **D8C1C** SUCTION: **10"** INLET: **64.6 in²**



Performance Curve - 10" 5821

IMPELLER: D10C1E SUCTION: 12" INLET: 75.6 in²

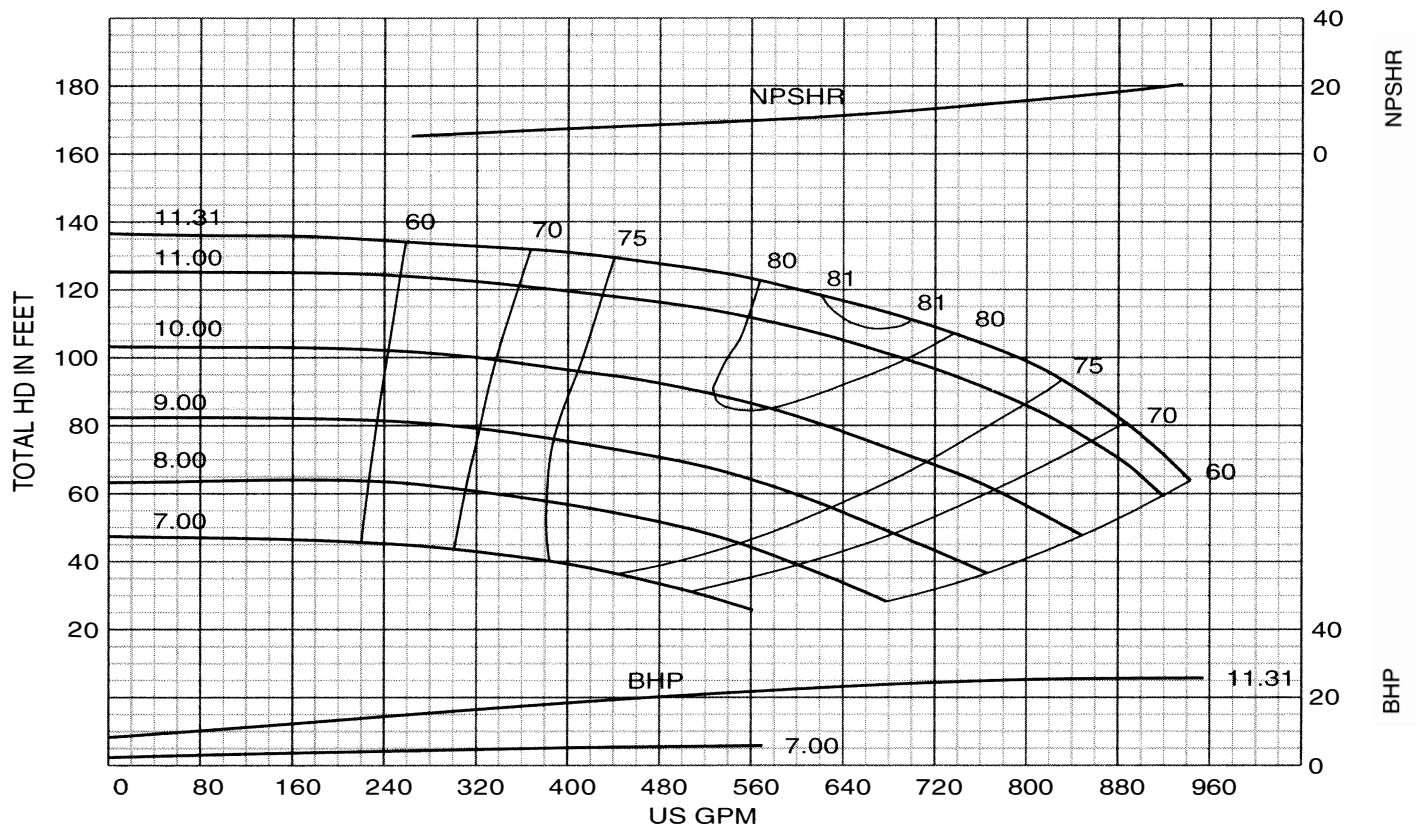
RPM: 1780 SOLIDS: 1-1/8"



Performance Curve - 4" 5822

IMPELLER: D4B1C SUCTION: 5" INLET: 18.8 in²

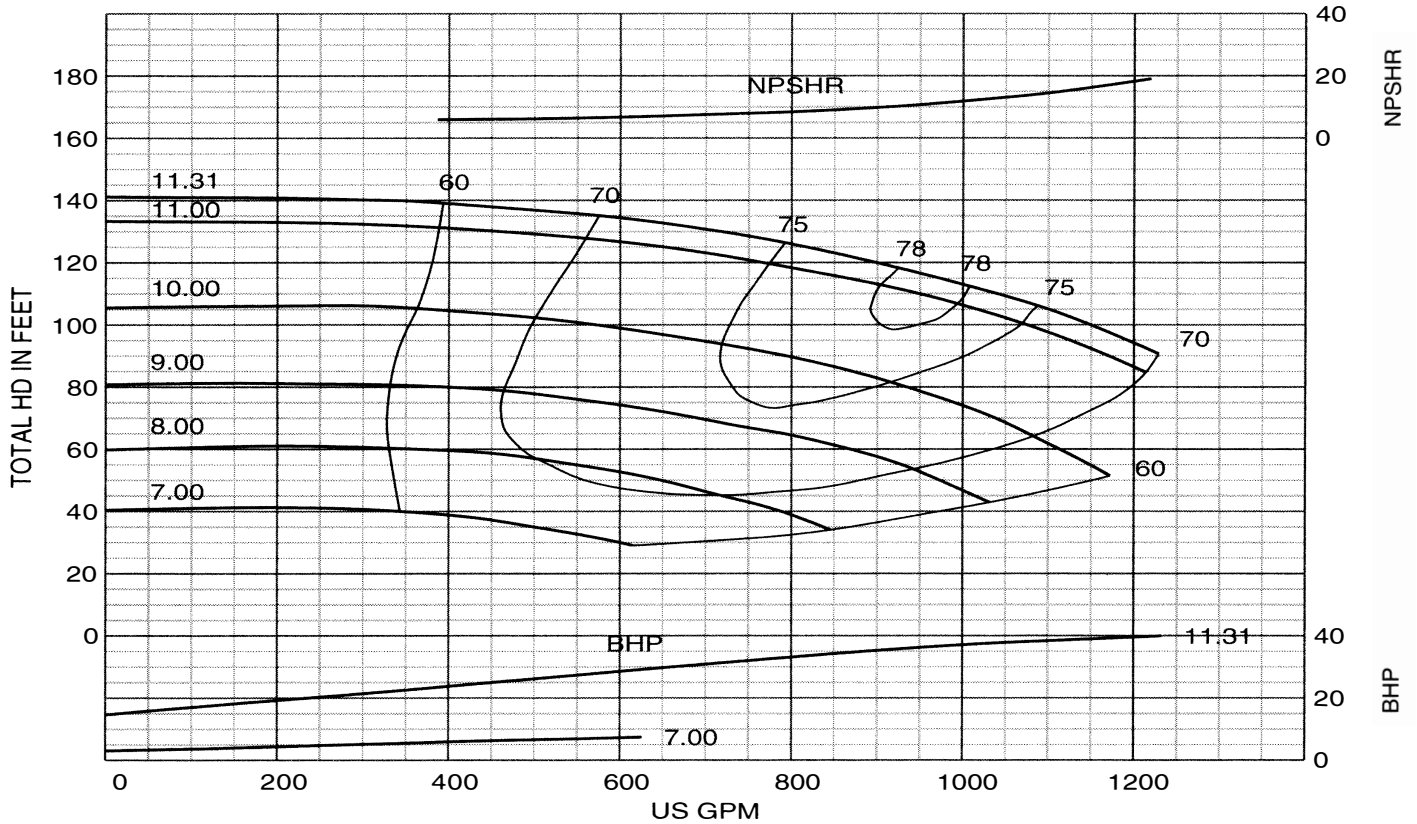
RPM: 1765 SOLIDS: 1/2"



Performance Curve - 5" 5822

IMPELLER: D5B1K SUCTION: 6" INLET: 26.2 in²

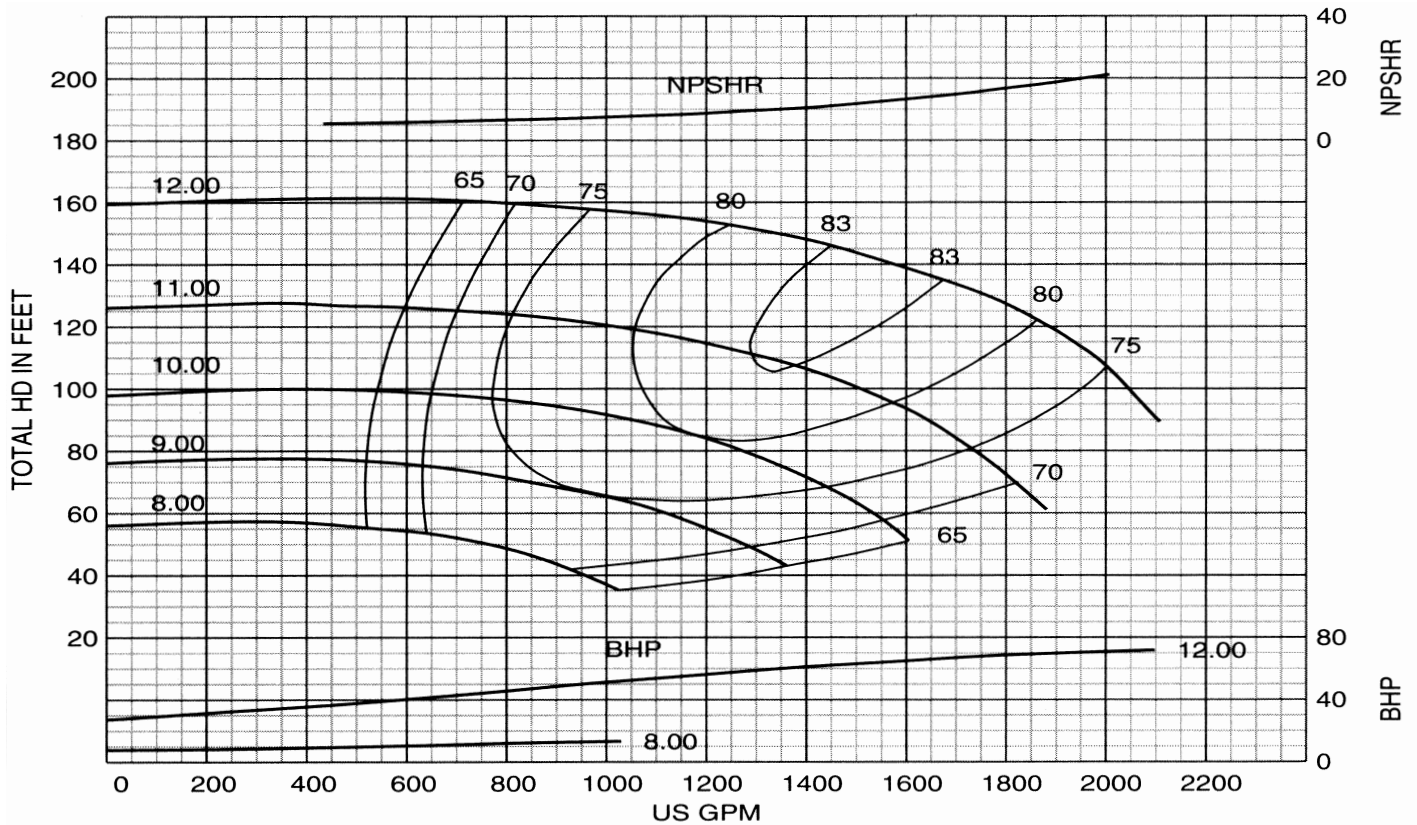
RPM: 1775 SOLIDS: 5/8"



Performance Curve - 6" 5822

IMPELLER: D6B1F SUCTION: 8" INLET: 33.6 in²

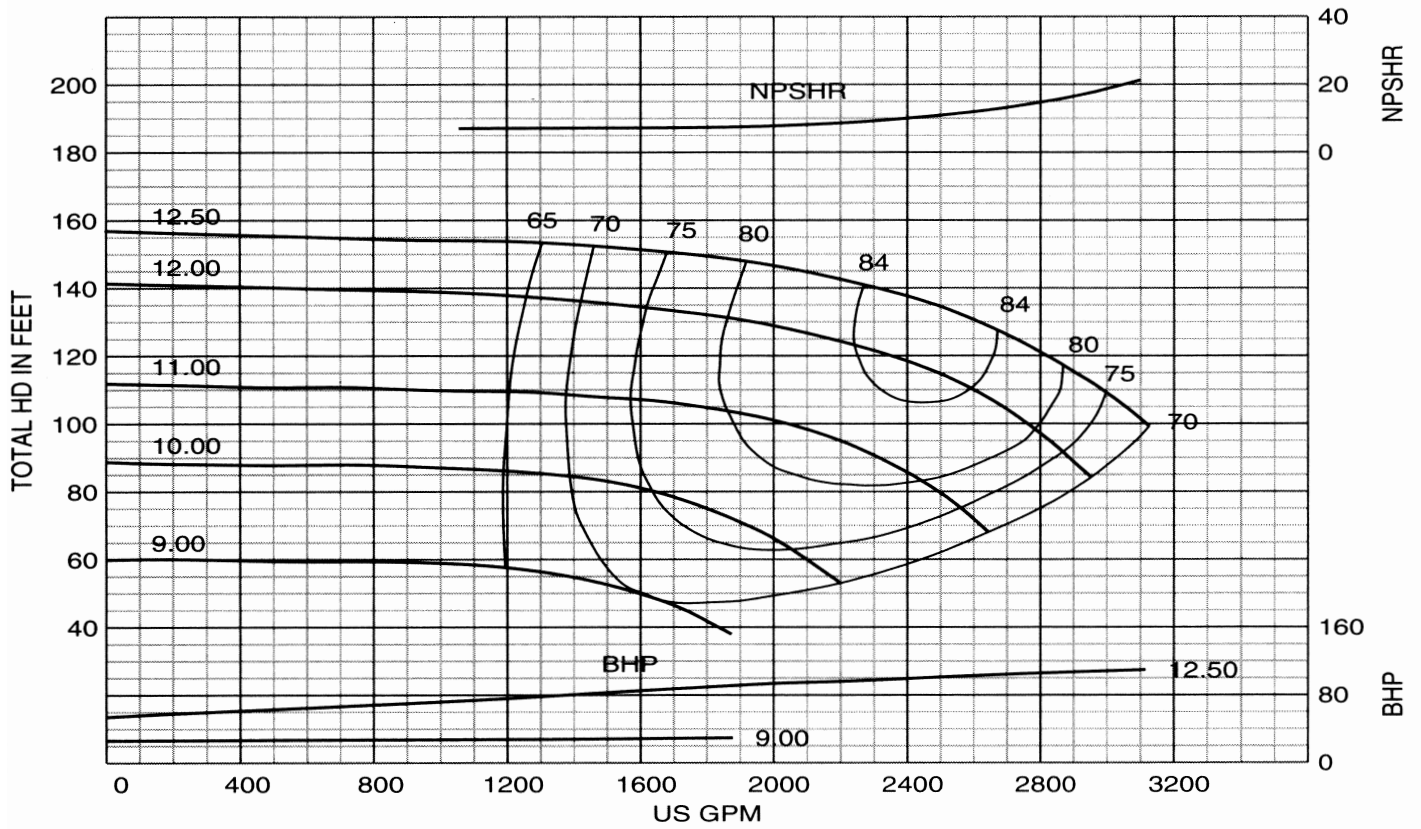
RPM: 1780 SOLIDS: 13/16"



Performance Curve - 8" 5822

RPM: 1780 SOLIDS: 15/16"

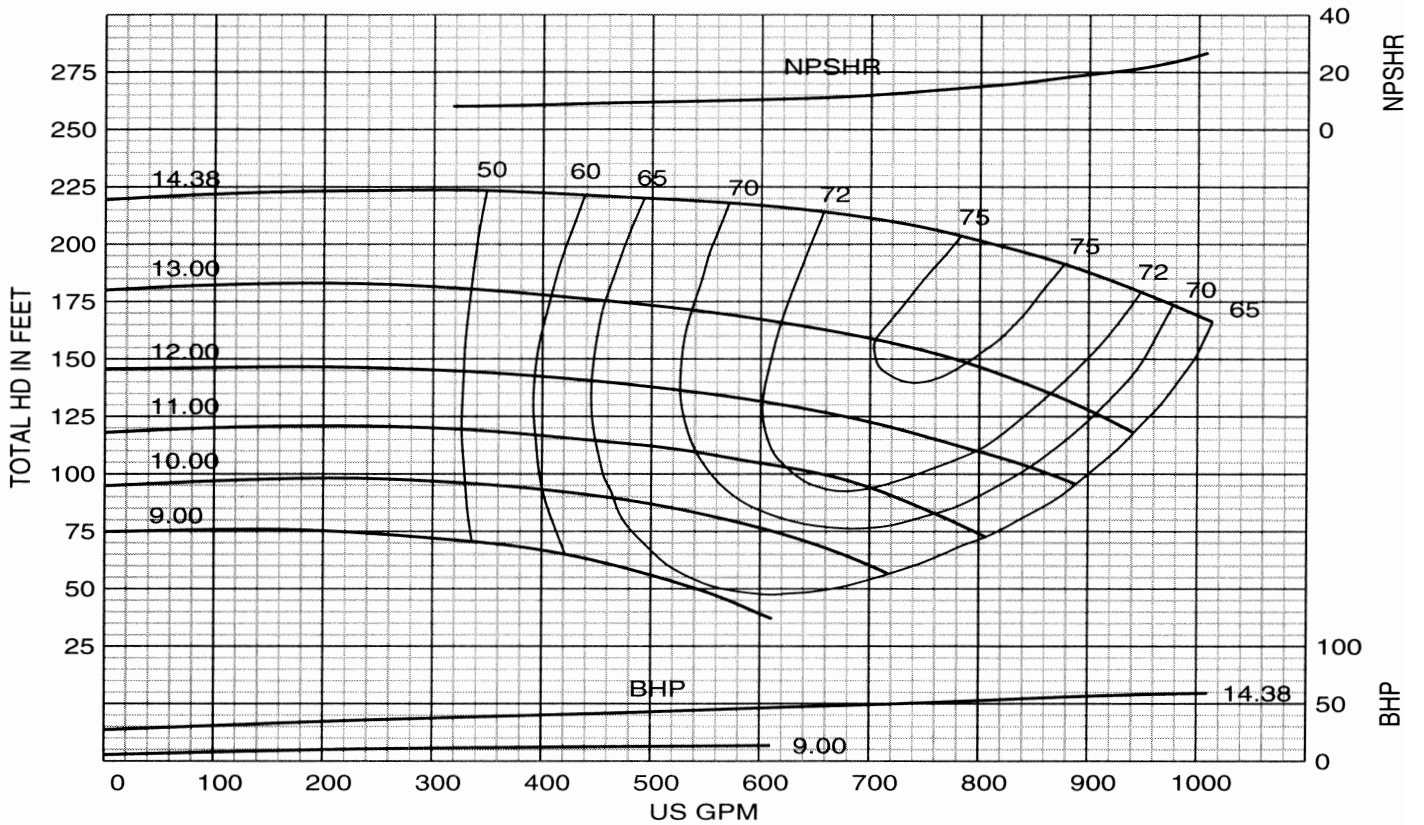
IMPELLER: D8B1R SUCTION: 10" INLET: 59.1in²



Performance Curve - 4" 5823

RPM: 1775 SOLIDS: 7/16"

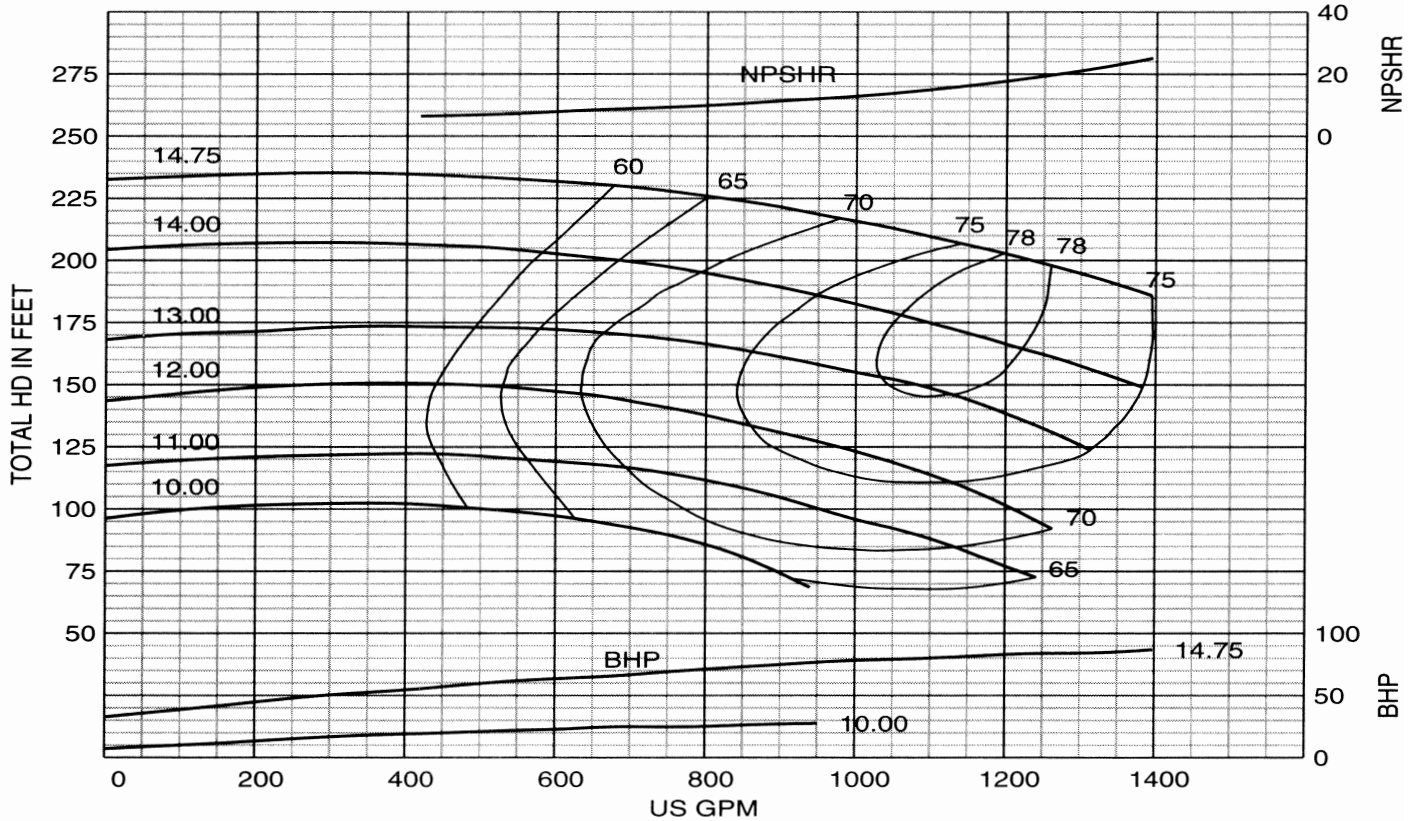
IMPELLER: D4A1C SUCTION: 5" INLET: 24.4in²



Performance Curve - 5" 5823

RPM: 1780 SOLIDS: 9/16"

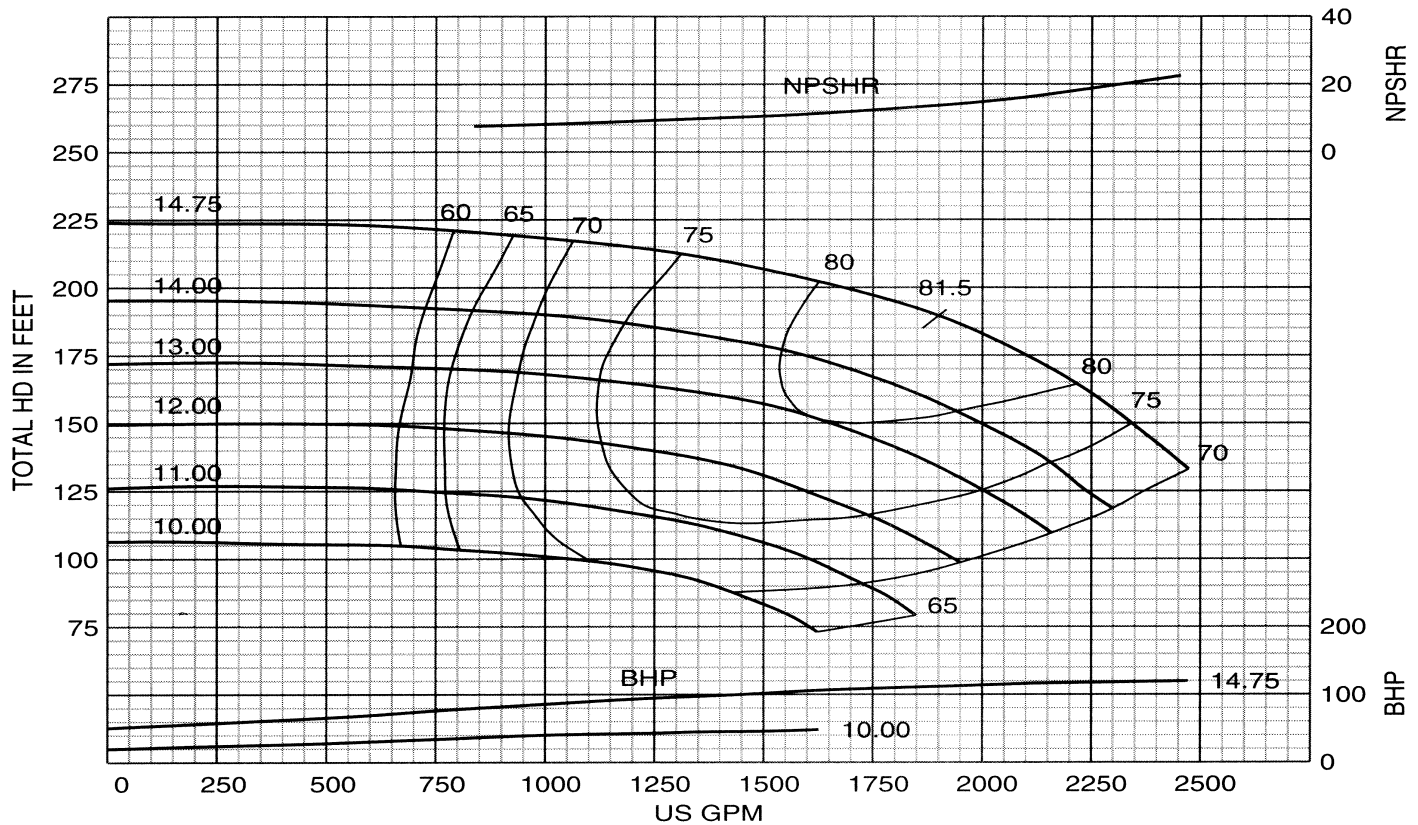
IMPELLER: D5A1G SUCTION: 6" INLET: 31.8 in²



Performance Curve - 6" 5823

RPM: 1780 SOLIDS: 7/8"

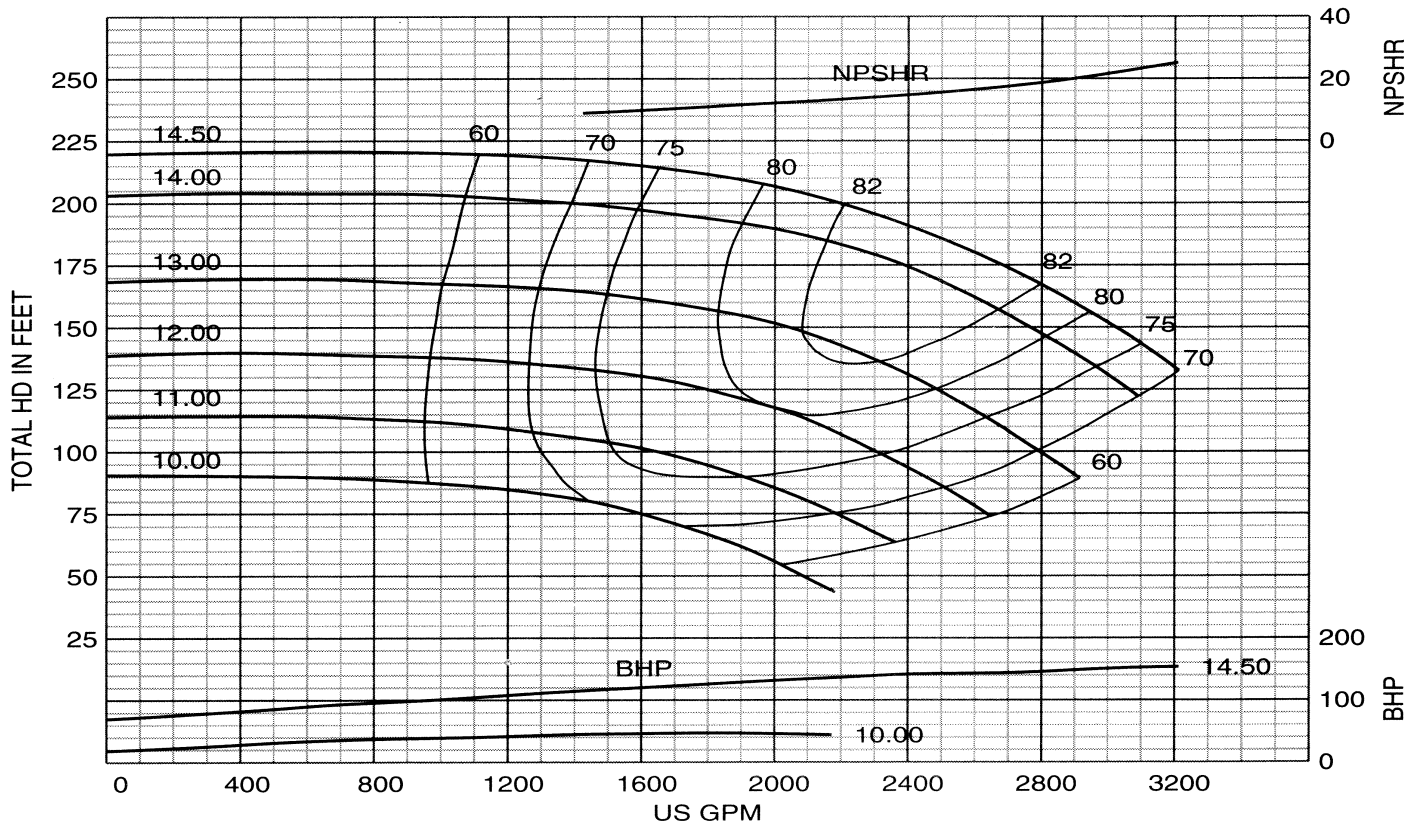
IMPELLER: D6A1F SUCTION: 8" INLET: 49.2 in²



Performance Curve - 8" 5823

RPM: 1785 SOLIDS: 15/16"

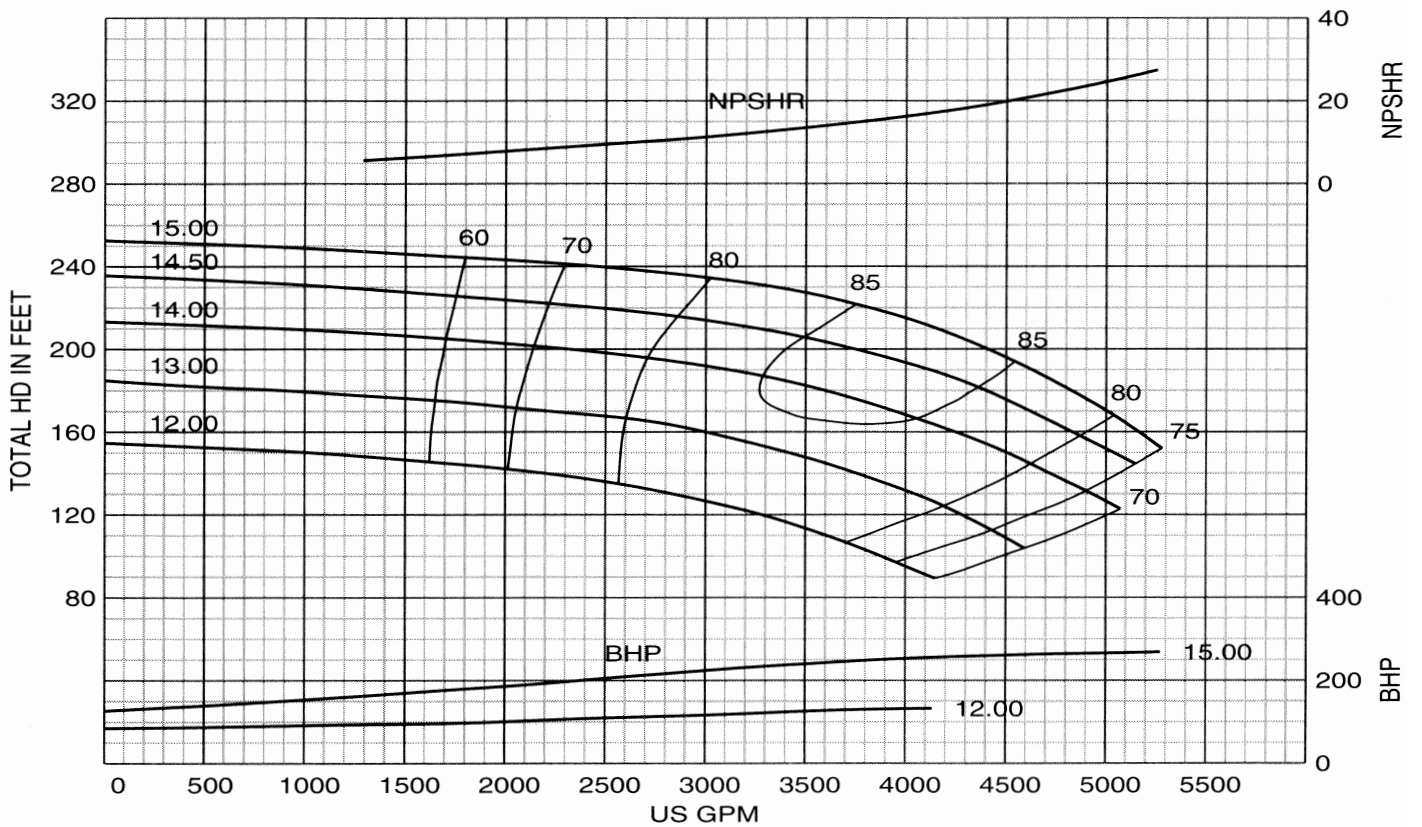
IMPELLER: D8A1F SUCTION: 10" INLET: 64.4 in²



Performance Curve - 10" 5823

RPM: 1785 SOLIDS: 7/8"

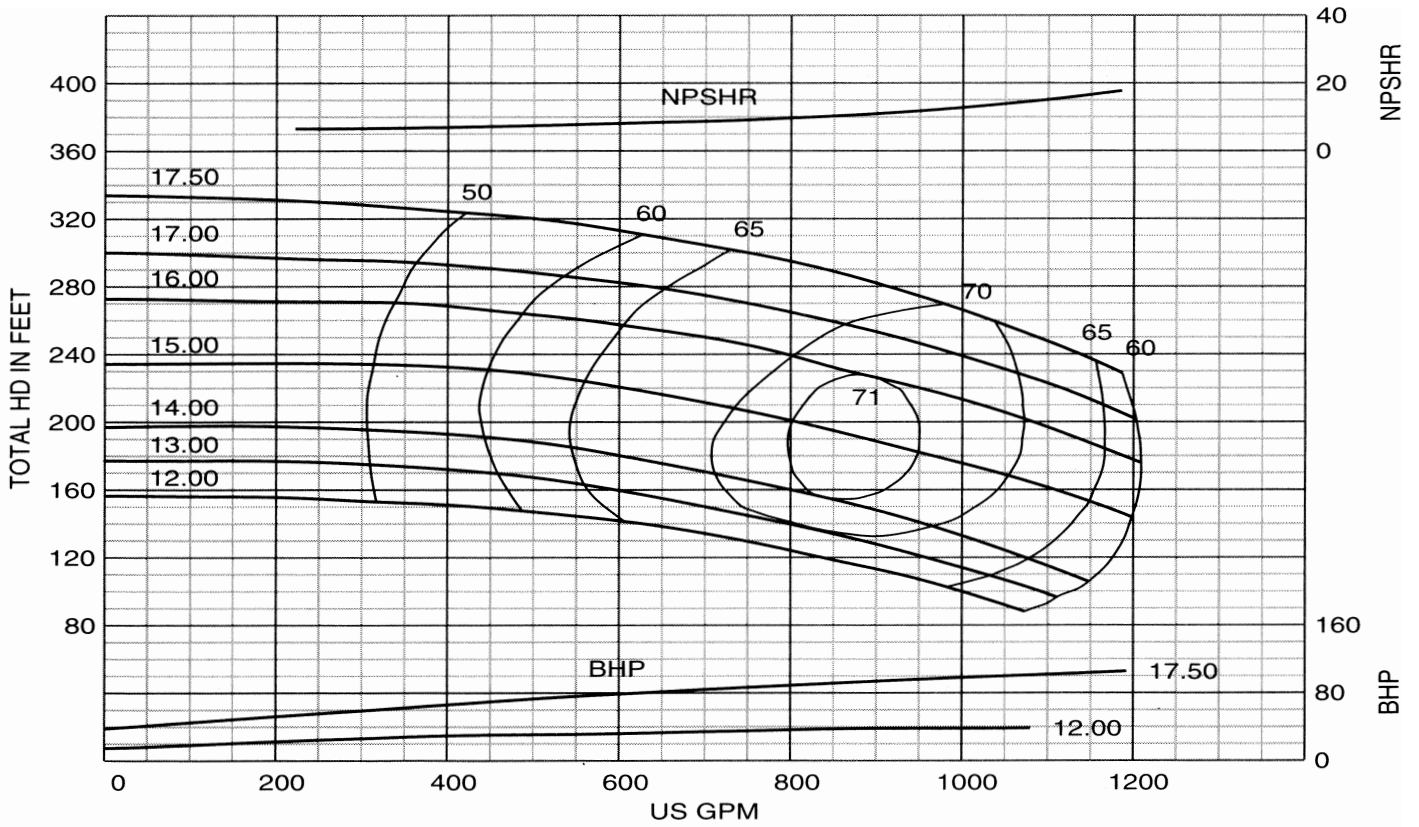
IMPELLER: D10A1A SUCTION: 12" INLET: 89.4 in²



Performance Curve - 4" 5824

RPM: 1780 SOLIDS: 3/8"

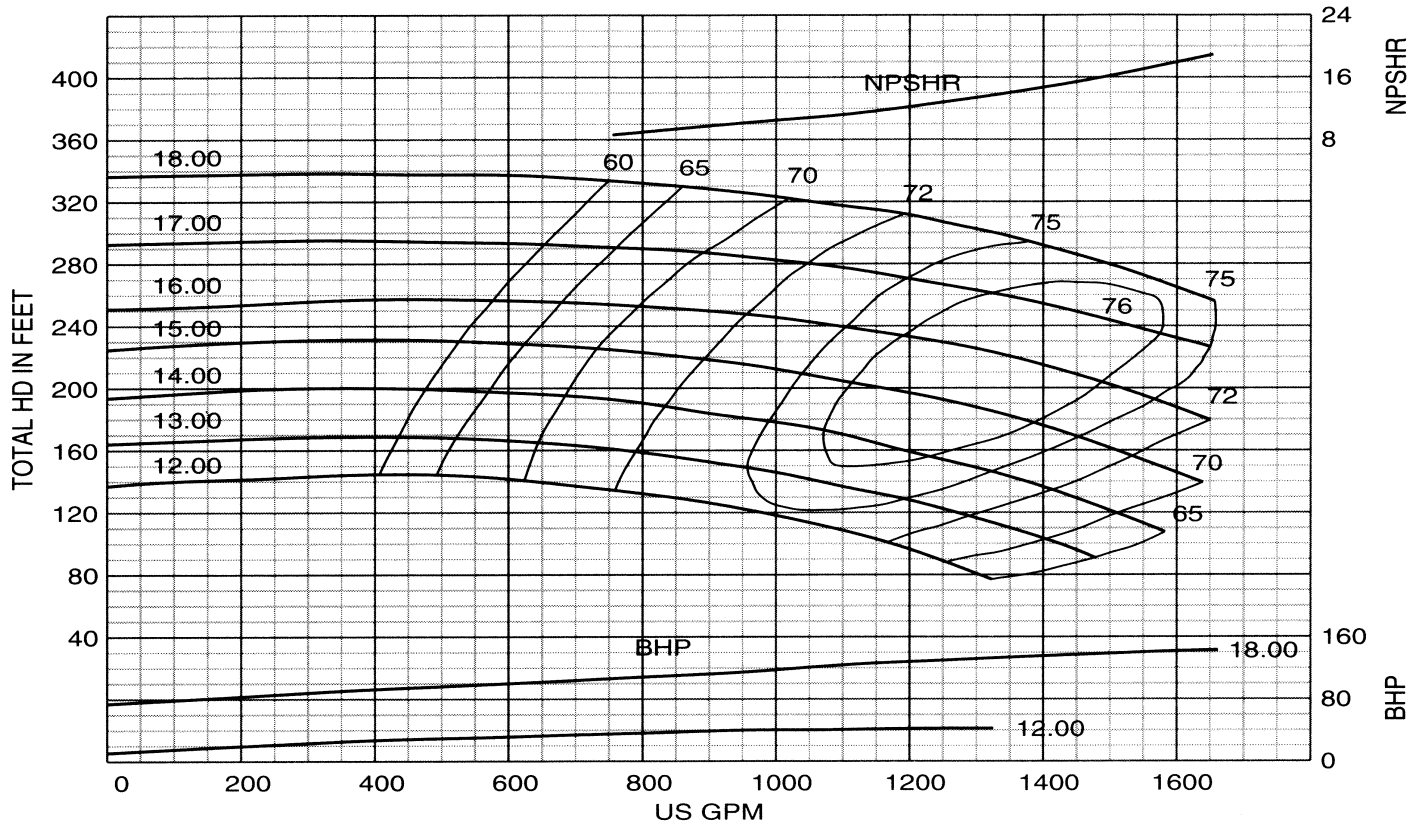
IMPELLER: D4D1B SUCTION: 5" INLET: 23.6 in²



Performance Curve - 5" 5824

RPM: 1785 SOLIDS: 5/8"

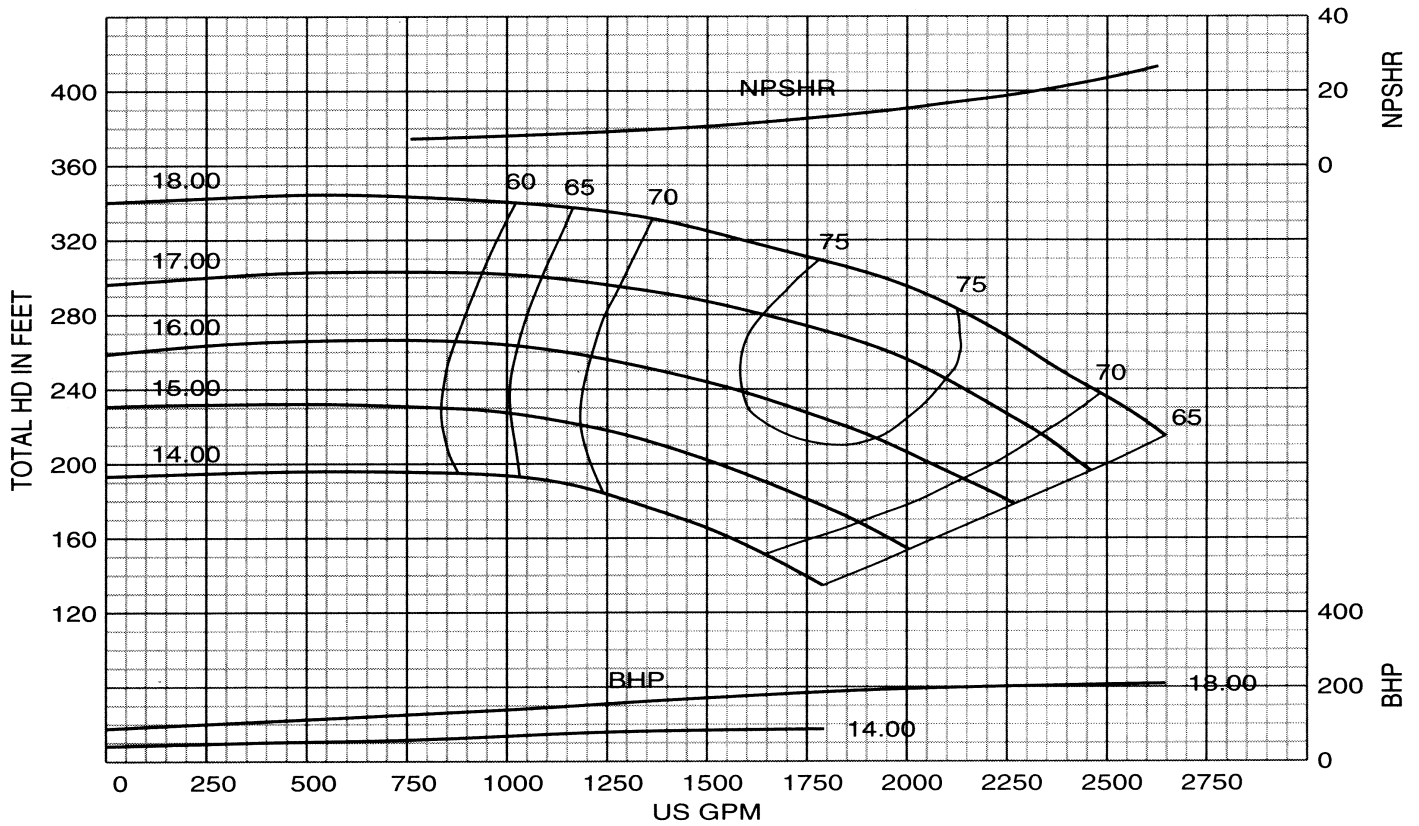
IMPELLER: D5D1F SUCTION: 6" INLET: 30.4 in²



Performance Curve - 6" 5824

IMPELLER: D6D1AM SUCTION: 8" INLET: 51.6 in²

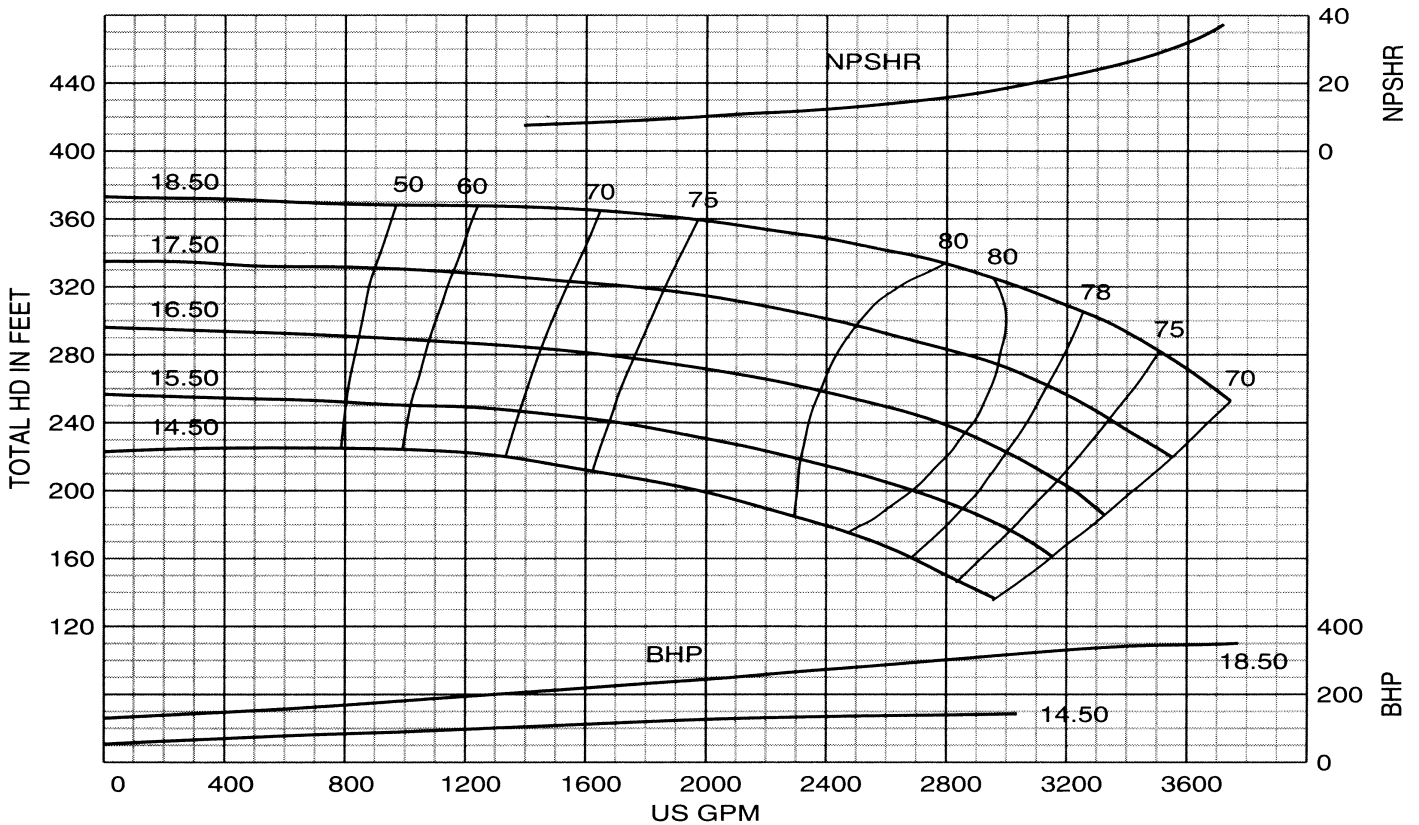
RPM: 1785 SOLIDS: 7/8"



Performance Curve - 8" 5824

IMPELLER: D8D1G SUCTION: 10" INLET: 62.8 in²

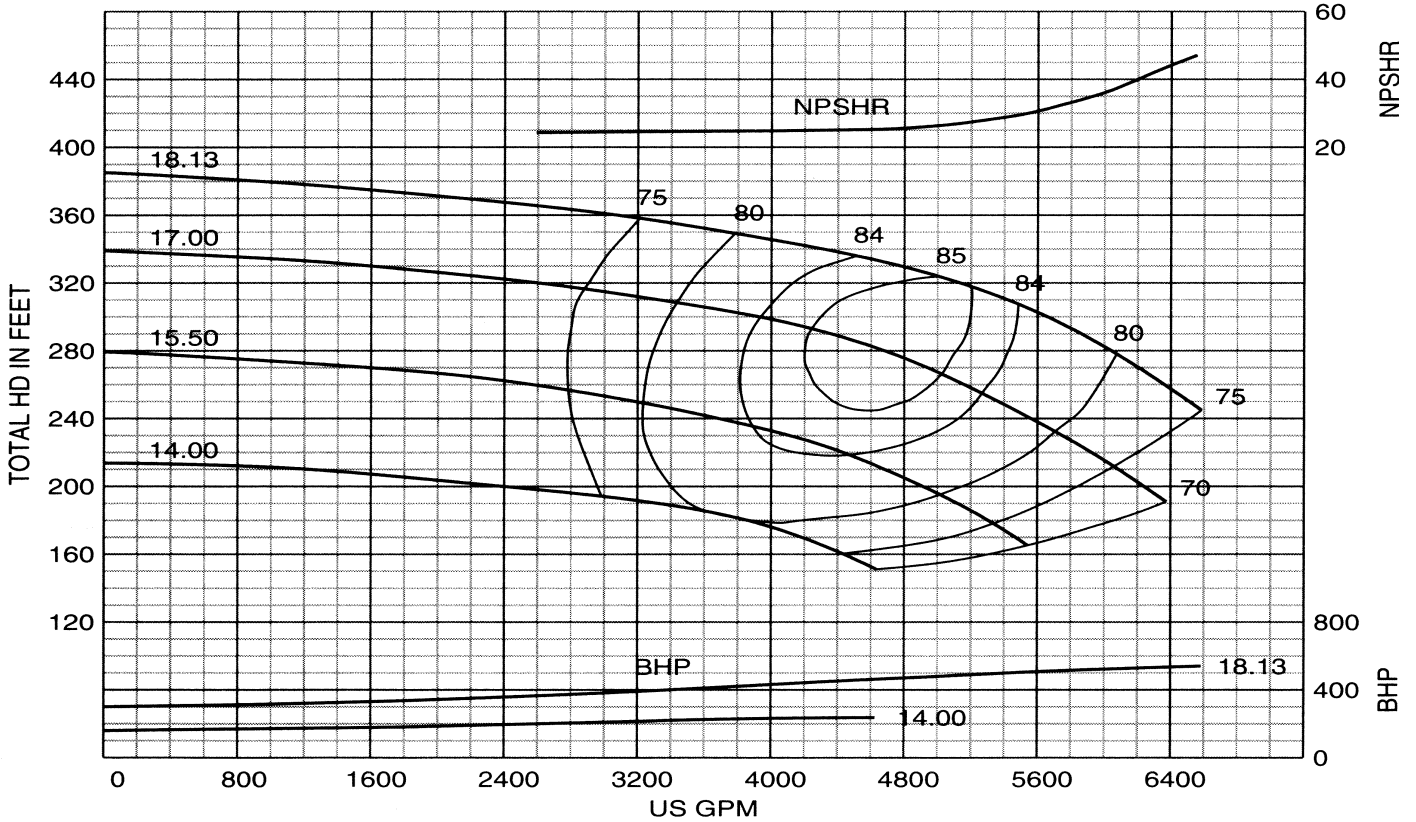
RPM: 1785 SOLIDS: 11/16"



Performance Curve - 10" 5824

RPM: 1785 SOLIDS: 15/16"

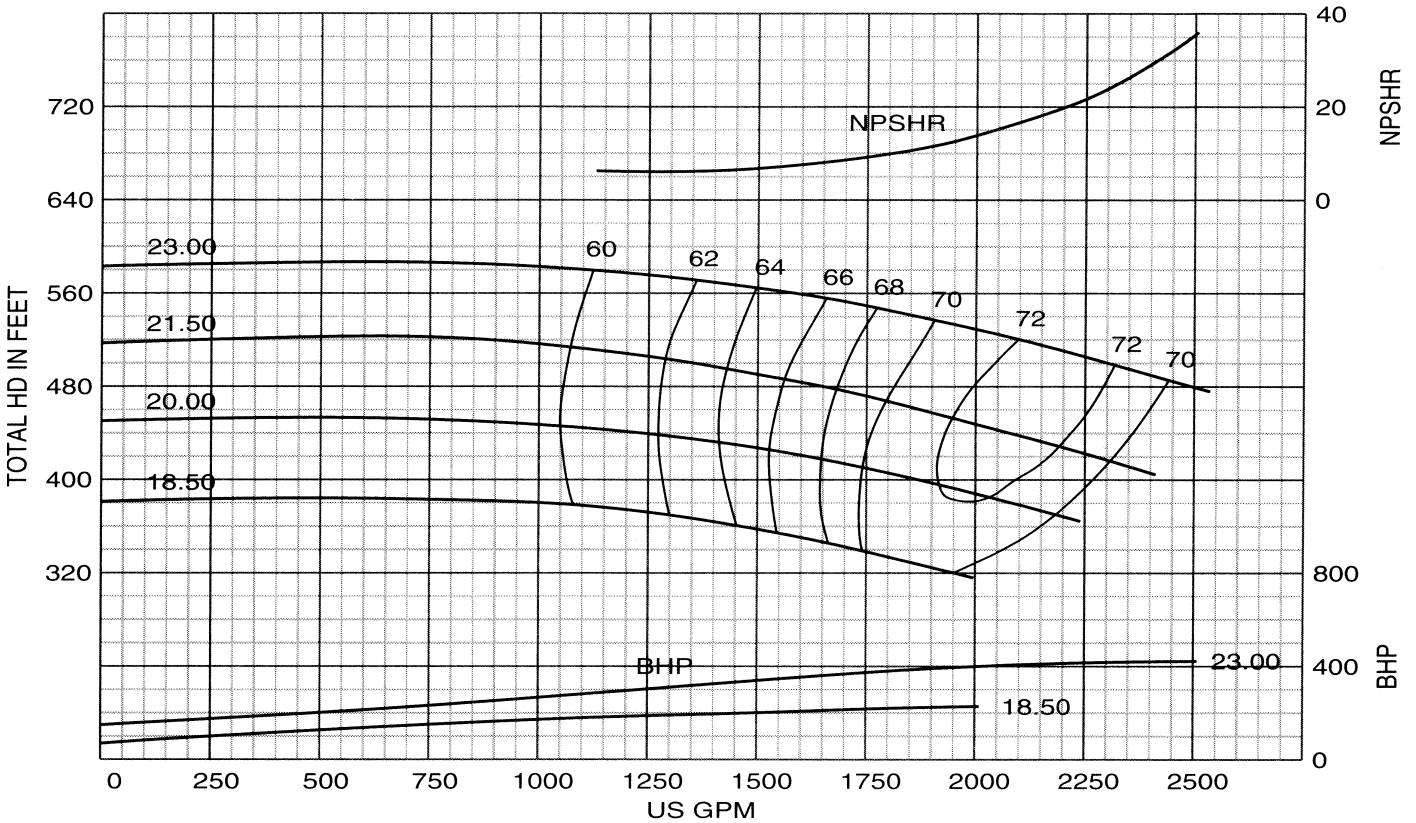
IMPELLER: D10D1W SUCTION: 12" INLET: 99.4 in²



Performance Curve - 6" 5826

RPM: 1785 SOLIDS: 7/8"

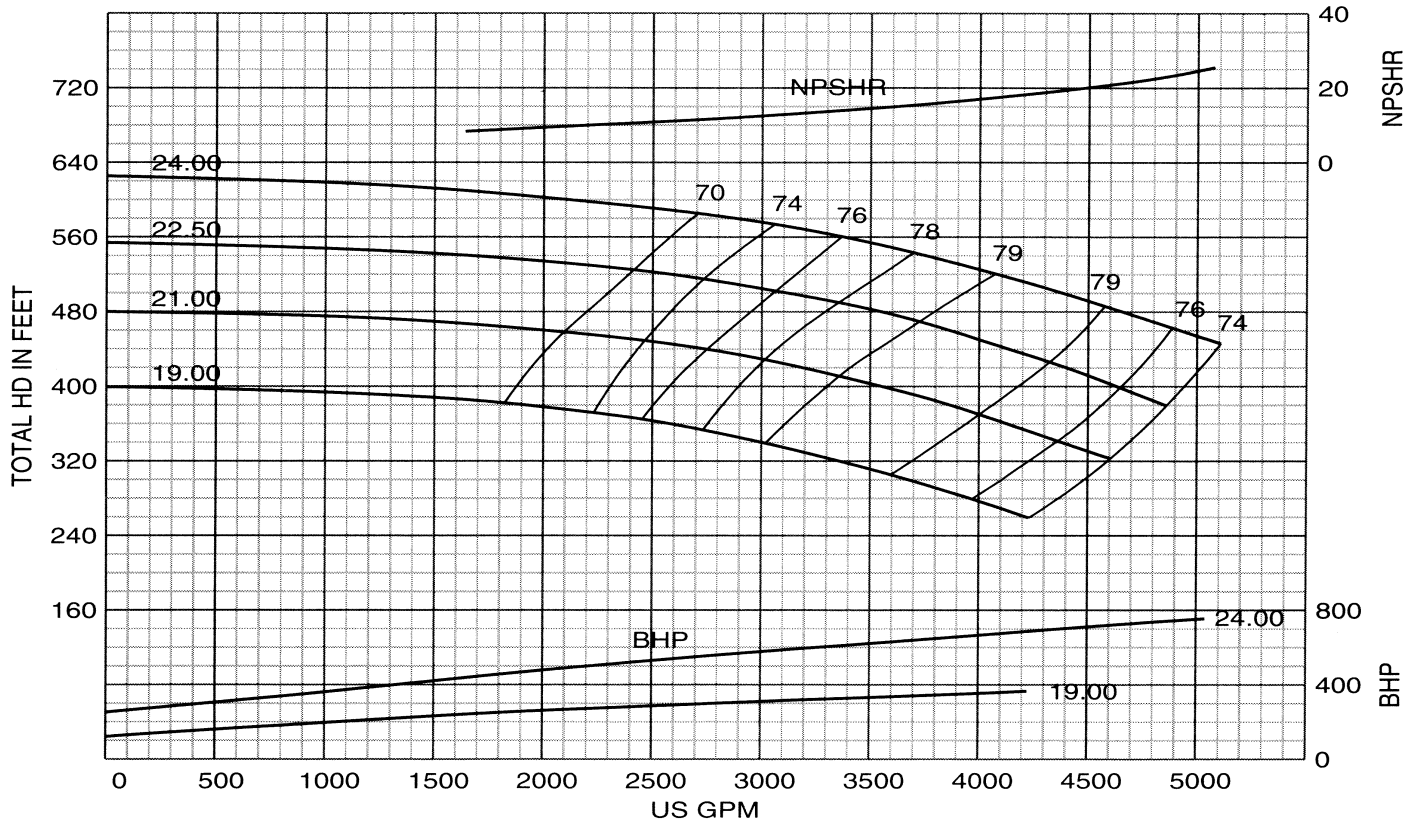
IMPELLER: D6F1A SUCTION: 10" INLET: 52.2 in²



Performance Curve – 8" 5826

RPM: 1785 SOLIDS: 1"

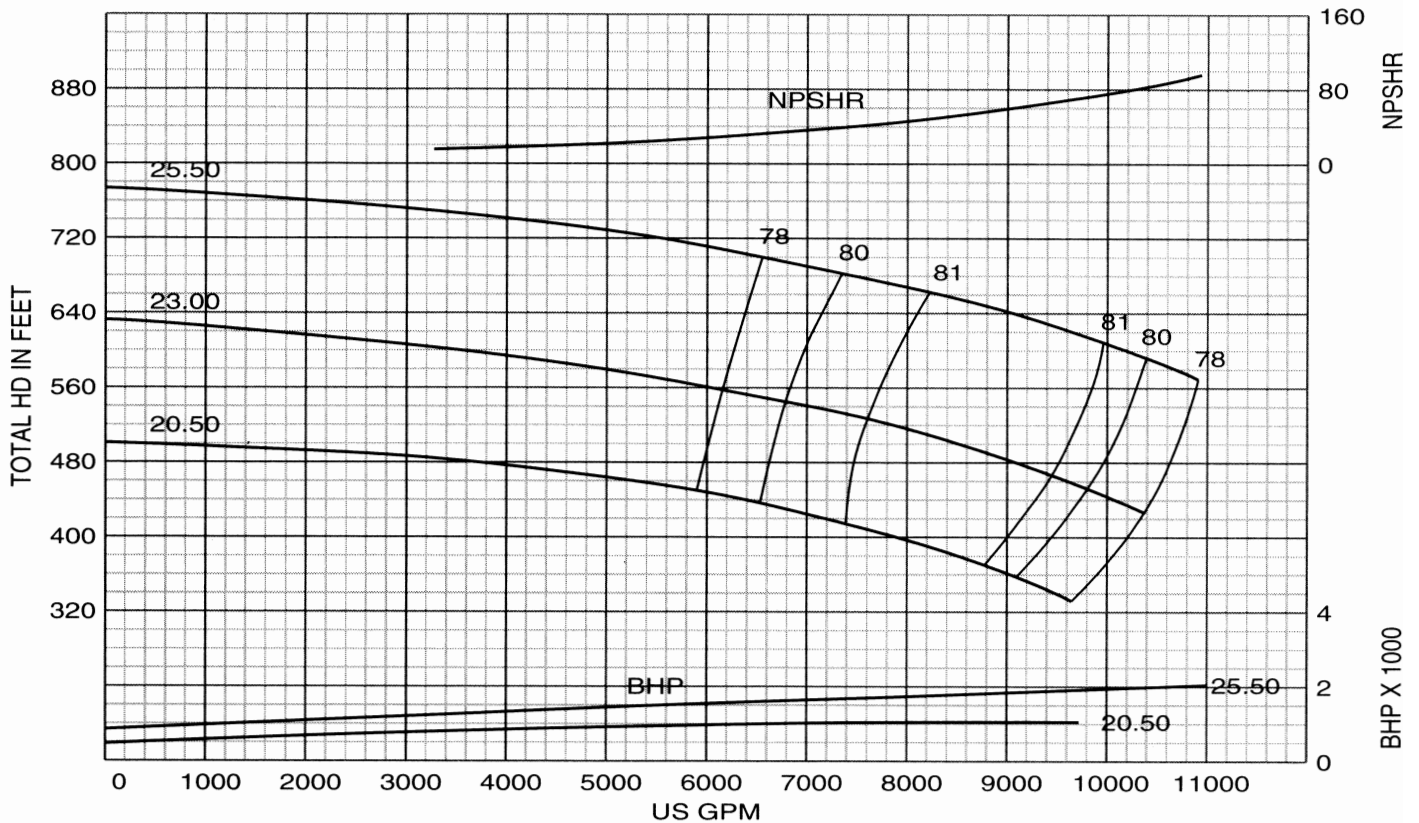
IMPELLER: D8F1A SUCTION: 12" INLET: 76.9 in²



Performance Curve – 10" 5826

RPM: 1785 SOLIDS: 1-3/8"

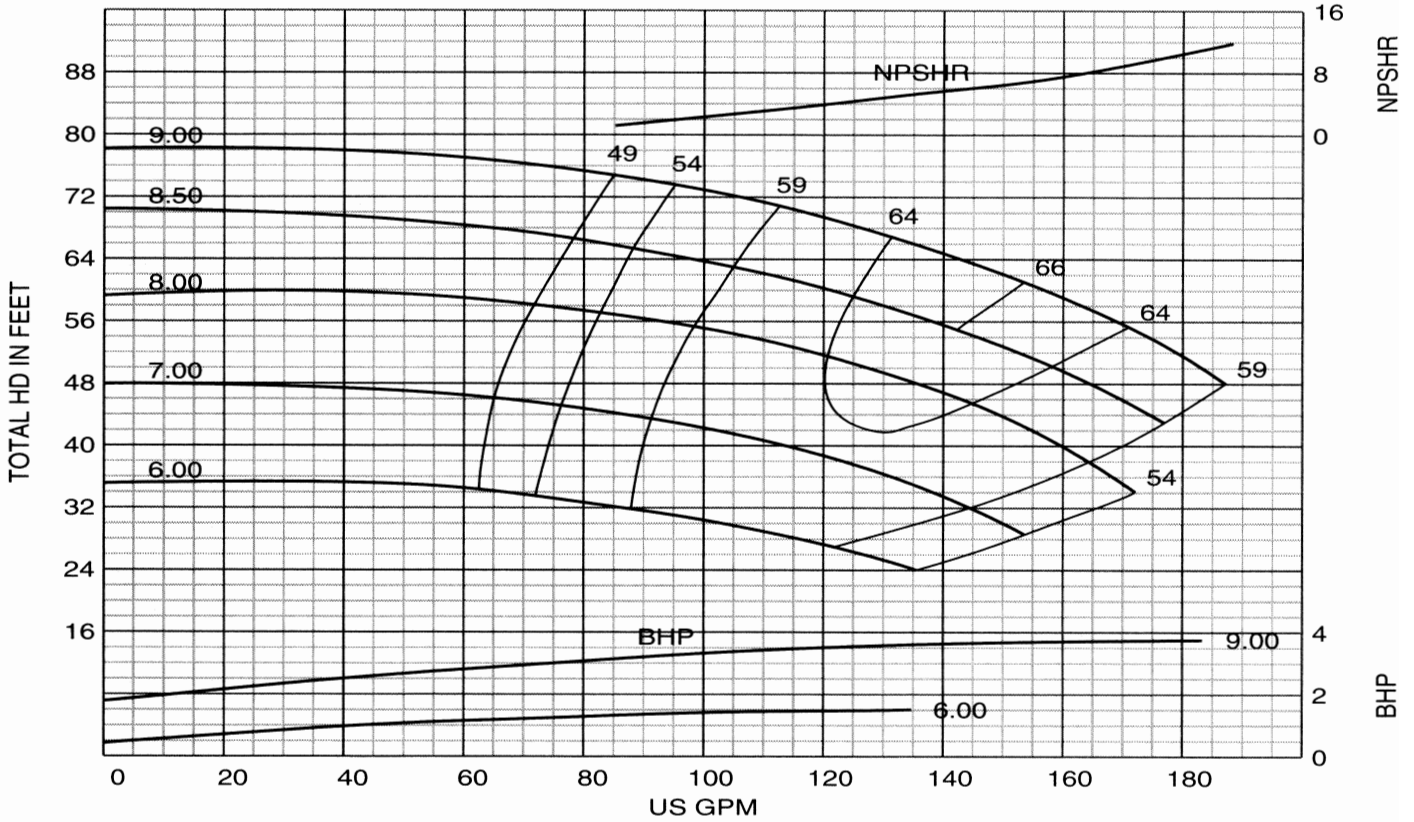
IMPELLER: D10F1A SUCTION: 14" INLET: 133.9 in²



Performance Curve - 2" 5874

RPM: 1750 SOLIDS: 1/4"

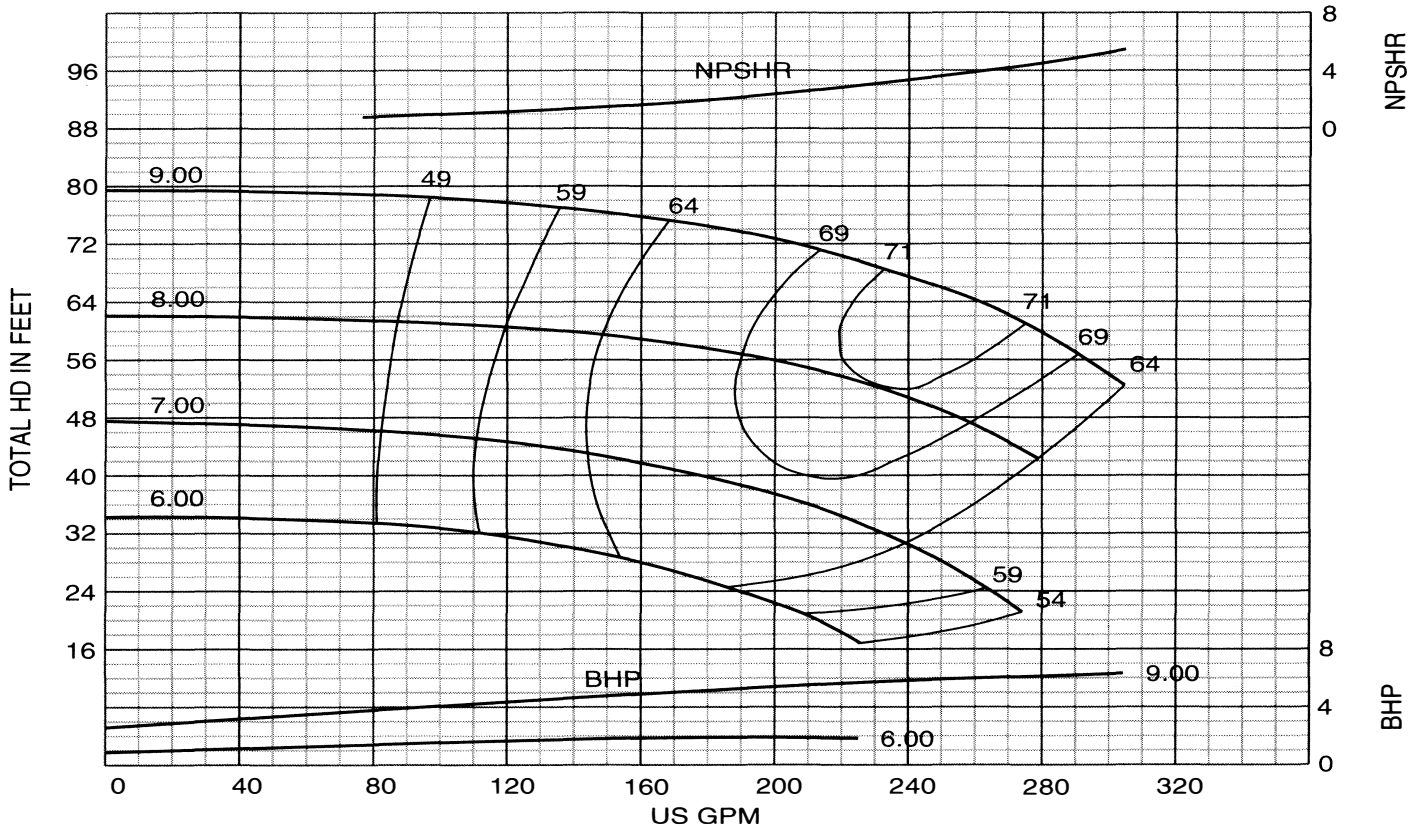
IMPELLER: G2A1B SUCTION: 3" INLET: 8.8 in²



Performance Curve - 3" 5874

RPM: 1750 SOLIDS: .4375"

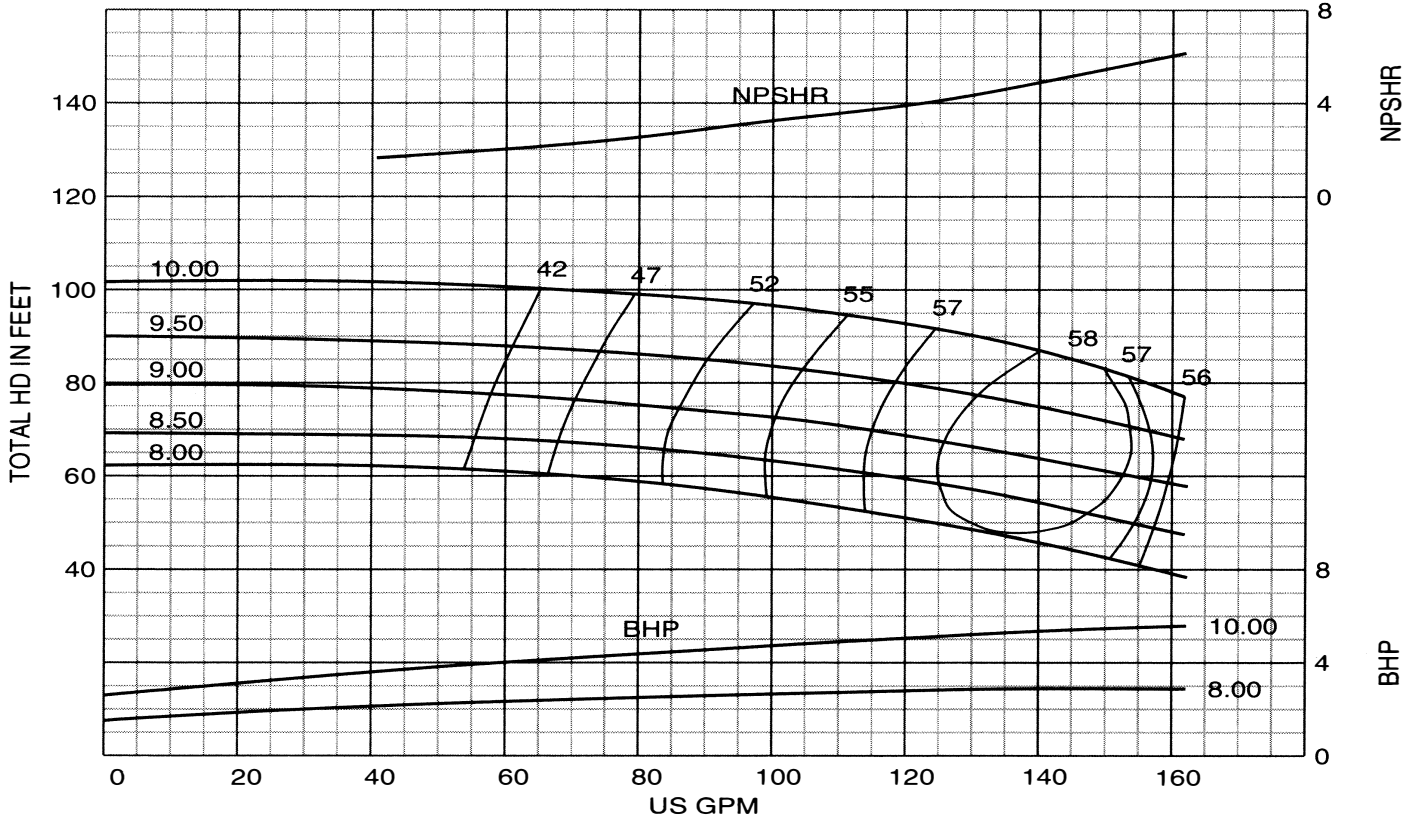
IMPELLER: G3A1B SUCTION: 4" INLET: 10.6 in²



Performance Curve - 2" 5876

RPM: 1750 SOLIDS: 1/4"

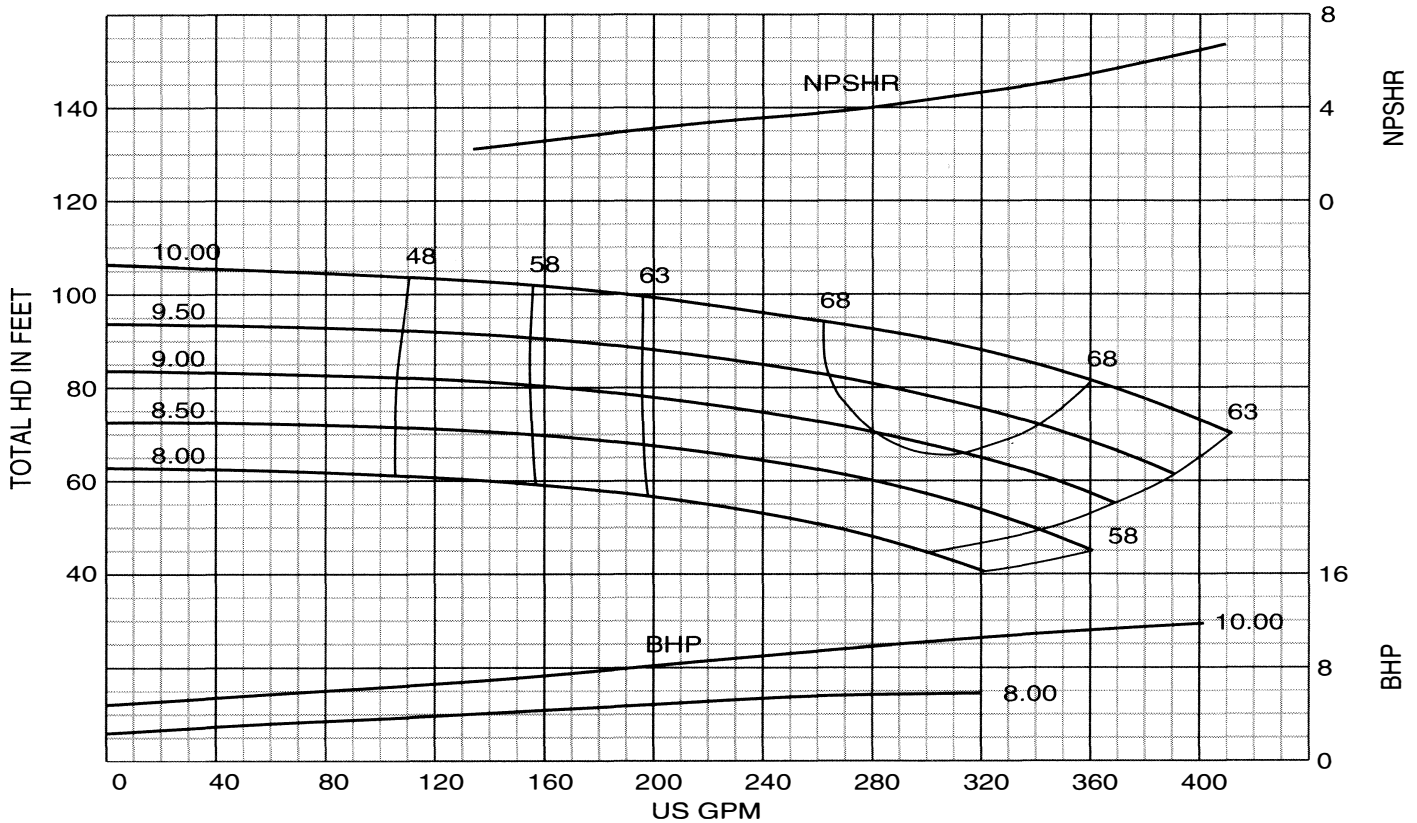
IMPELLER: G2B1A SUCTION: 3" INLET: 7.2 in²



Performance Curve - 3" 5876

RPM: 1760 SOLIDS: 7/16"

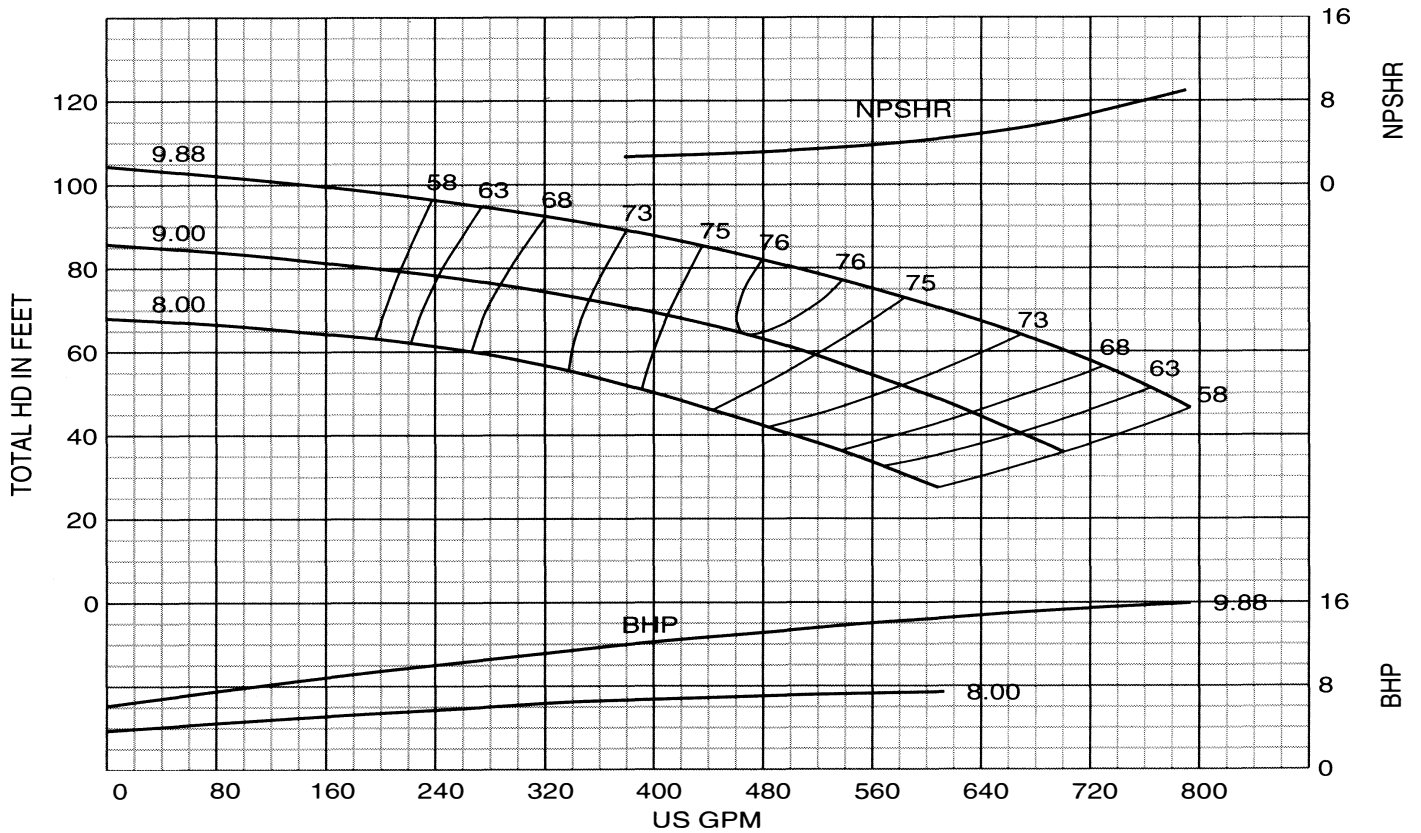
IMPELLER: G3B1A SUCTION: 4" INLET: 13.0 in²



Performance Curve - 4" 5876

IMPELLER: G4B1A SUCTION: 6" INLET: 21.9 in²

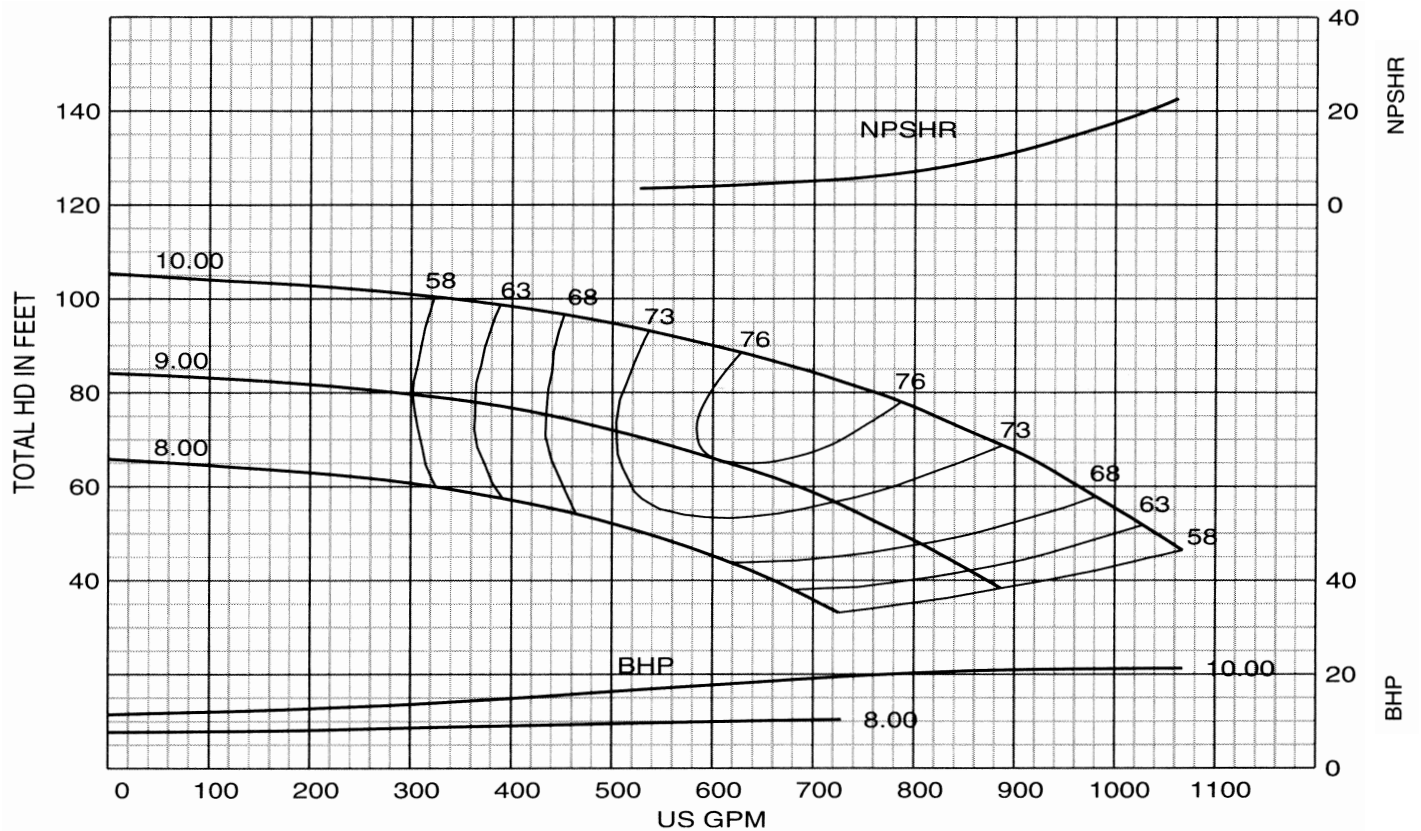
RPM: 1760 SOLIDS: .5"



Performance Curve - 5" 5876

IMPELLER: G5B1A SUCTION: 8" INLET: 24.7 in²

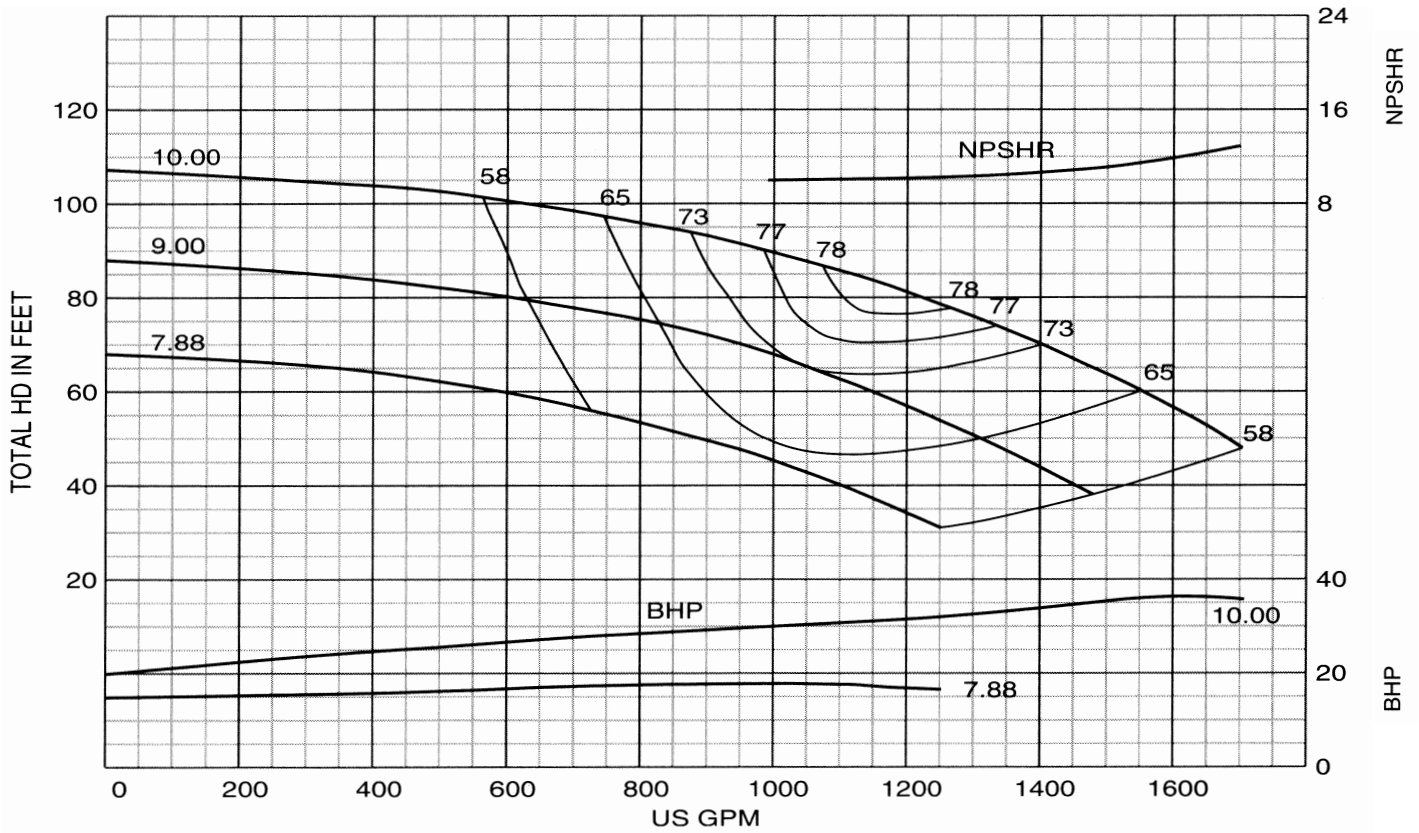
RPM: 1765 SOLIDS: .625"



Performance Curve - 6" 5876

RPM: 1770 SOLIDS: .625"

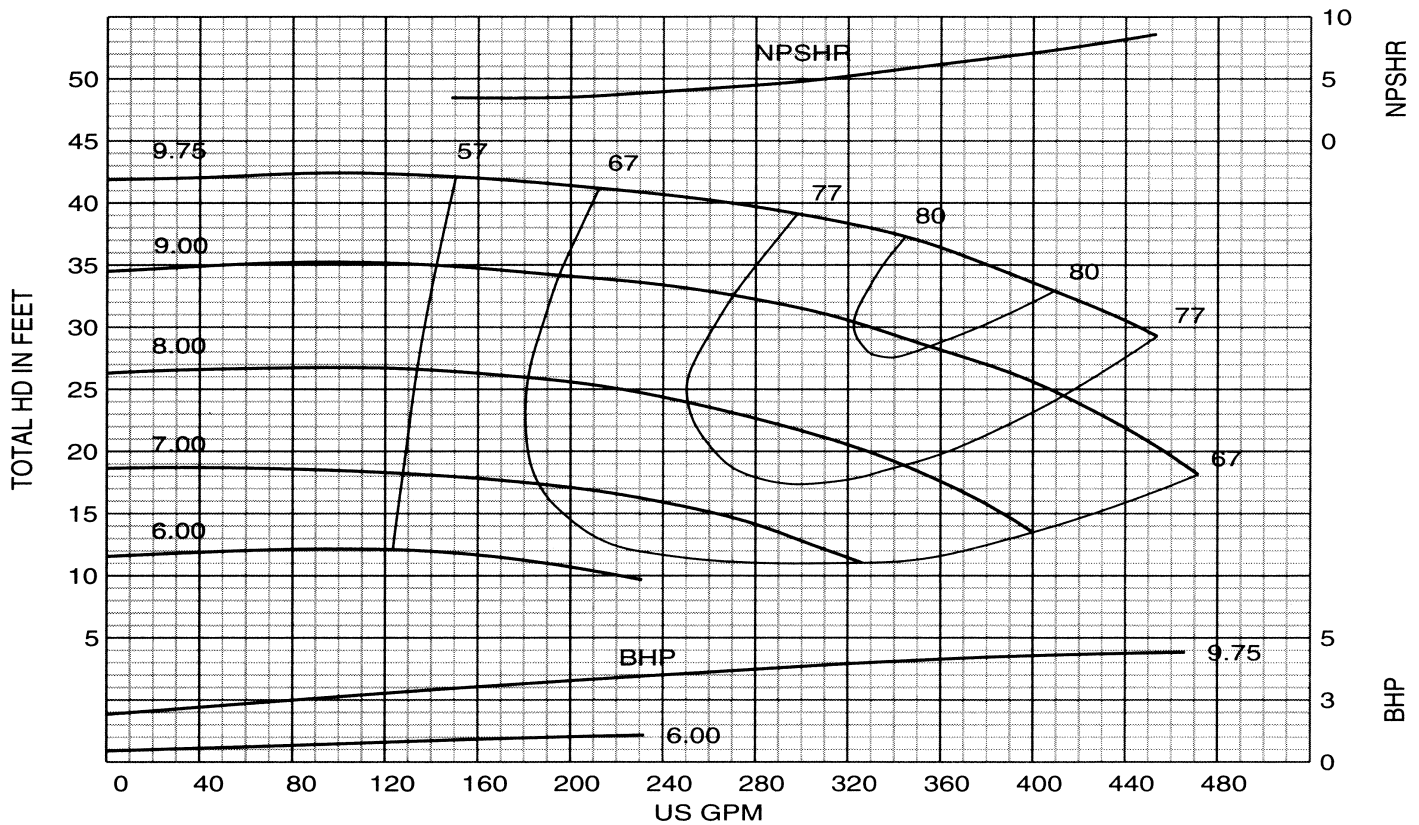
IMPELLER: G6B1A SUCTION: 10" INLET: 46.7 in²



Performance Curve - 4" 5821

RPM: 1165 SOLIDS: 5/8"

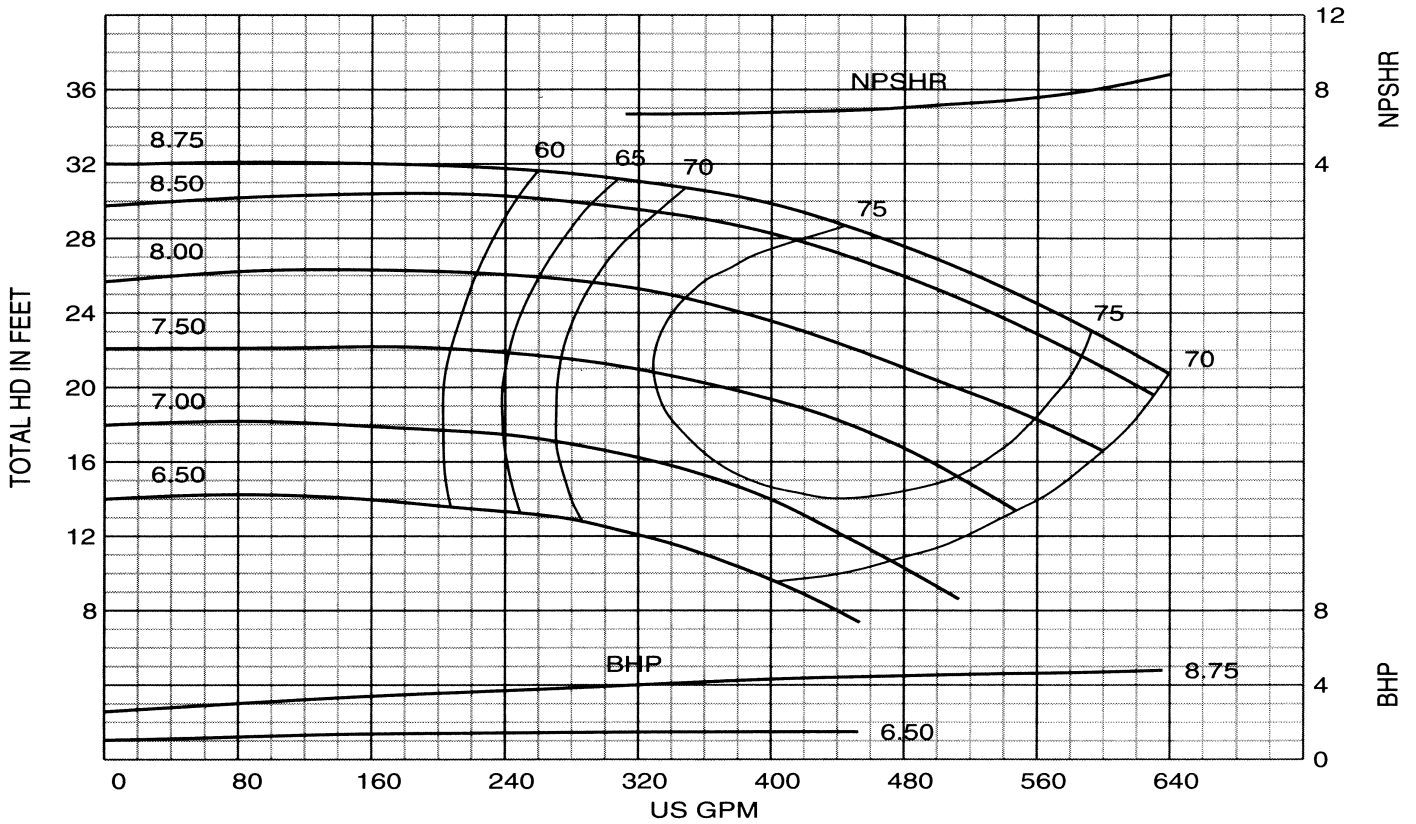
IMPELLER: D4C1A SUCTION: 5" INLET: 20.0 in²



Performance Curve – 5" 5821

IMPELLER: D5C1B SUCTION: 6" INLET: 25.0 in²

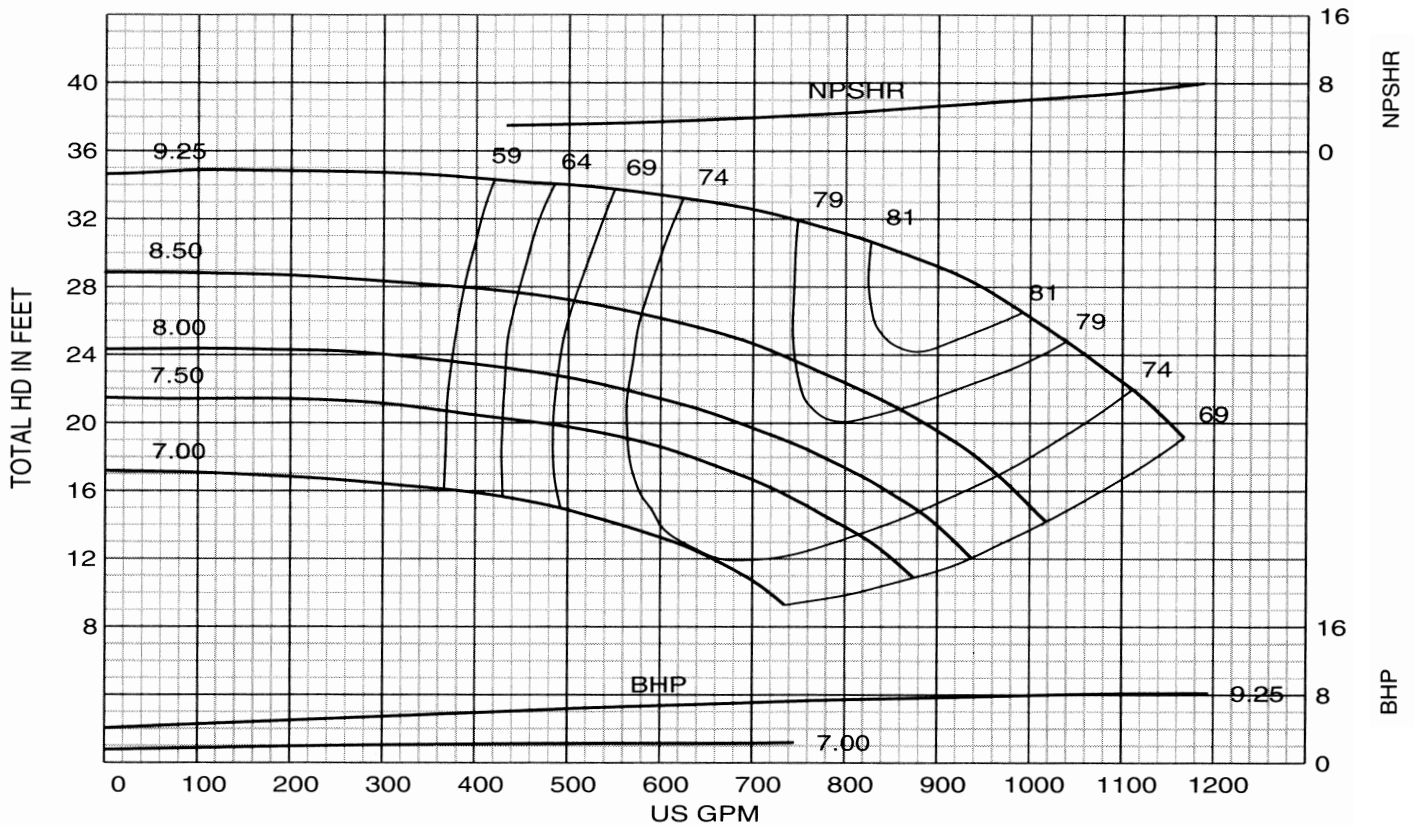
RPM: 1165 SOLIDS: 3/4"



Performance Curve – 6" 5821

IMPELLER: D6C1A SUCTION: 8" INLET: 37.2 in²

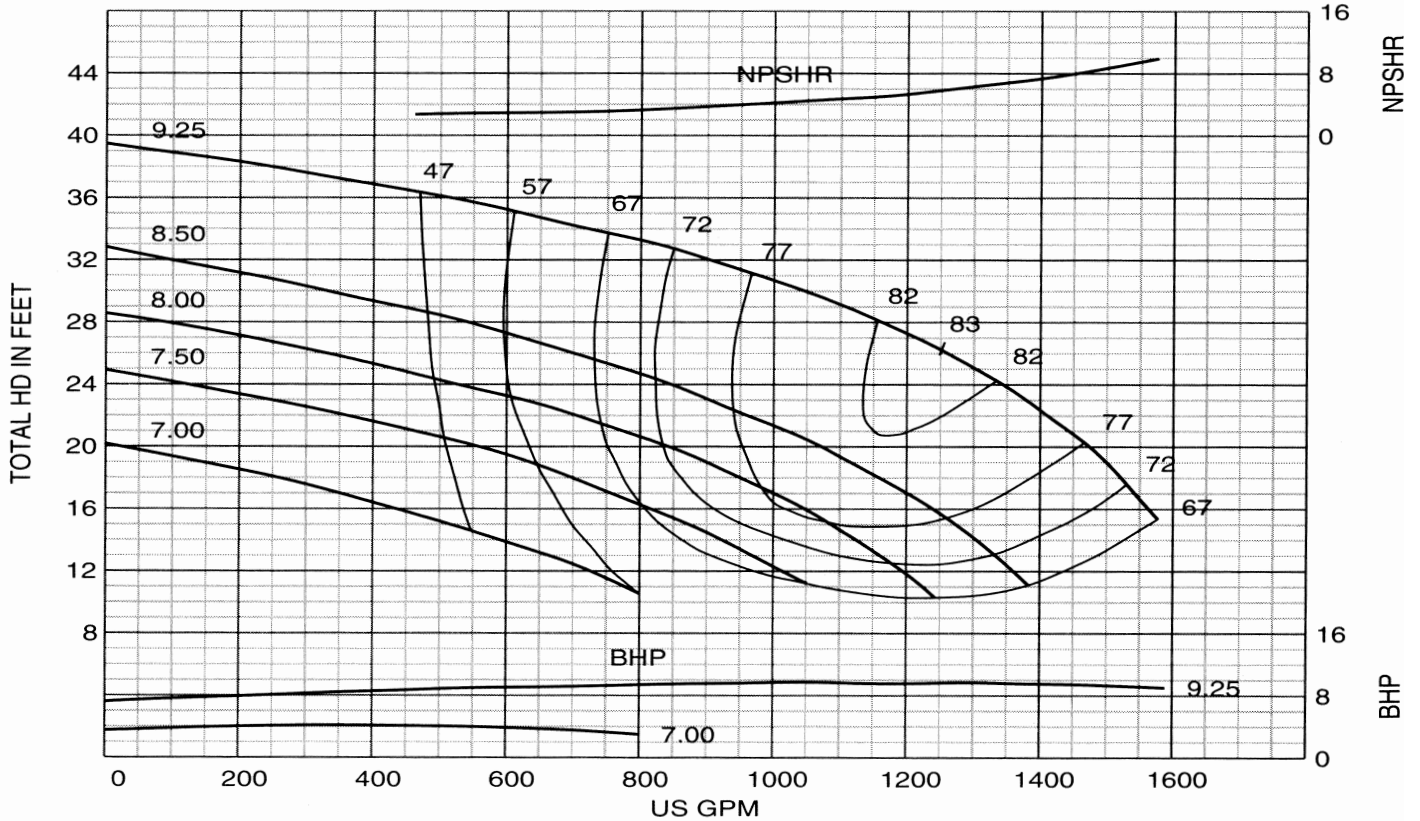
RPM: 1170 SOLIDS: 3/4"



Performance Curve - 8" 5821

IMPELLER: D8C1A SUCTION: 10" INLET: 60.6 in²

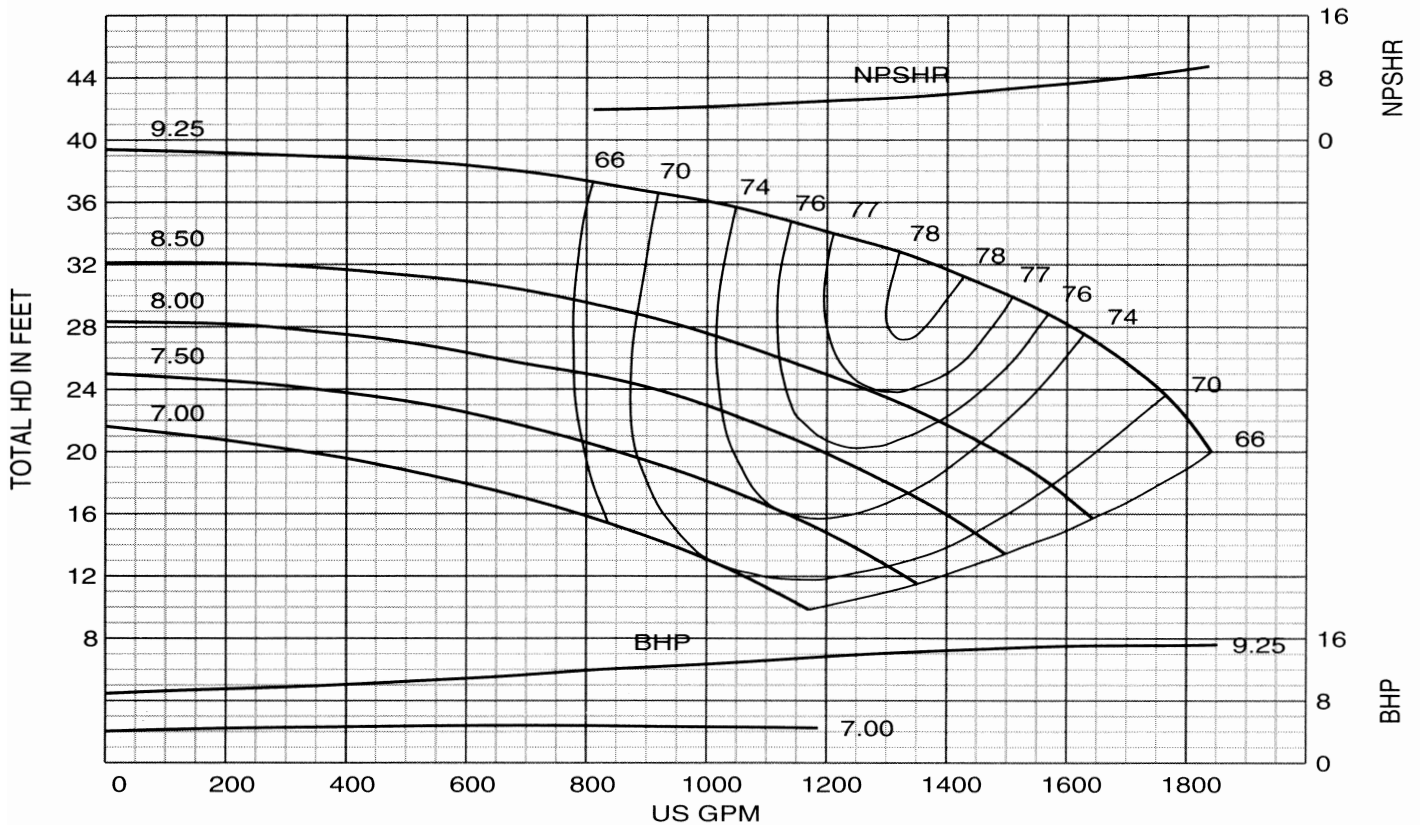
RPM: 1170 SOLIDS: 11/16"



Performance Curve - 8" 5821

IMPELLER: D8C1C SUCTION: 10" INLET: 64.6 in²

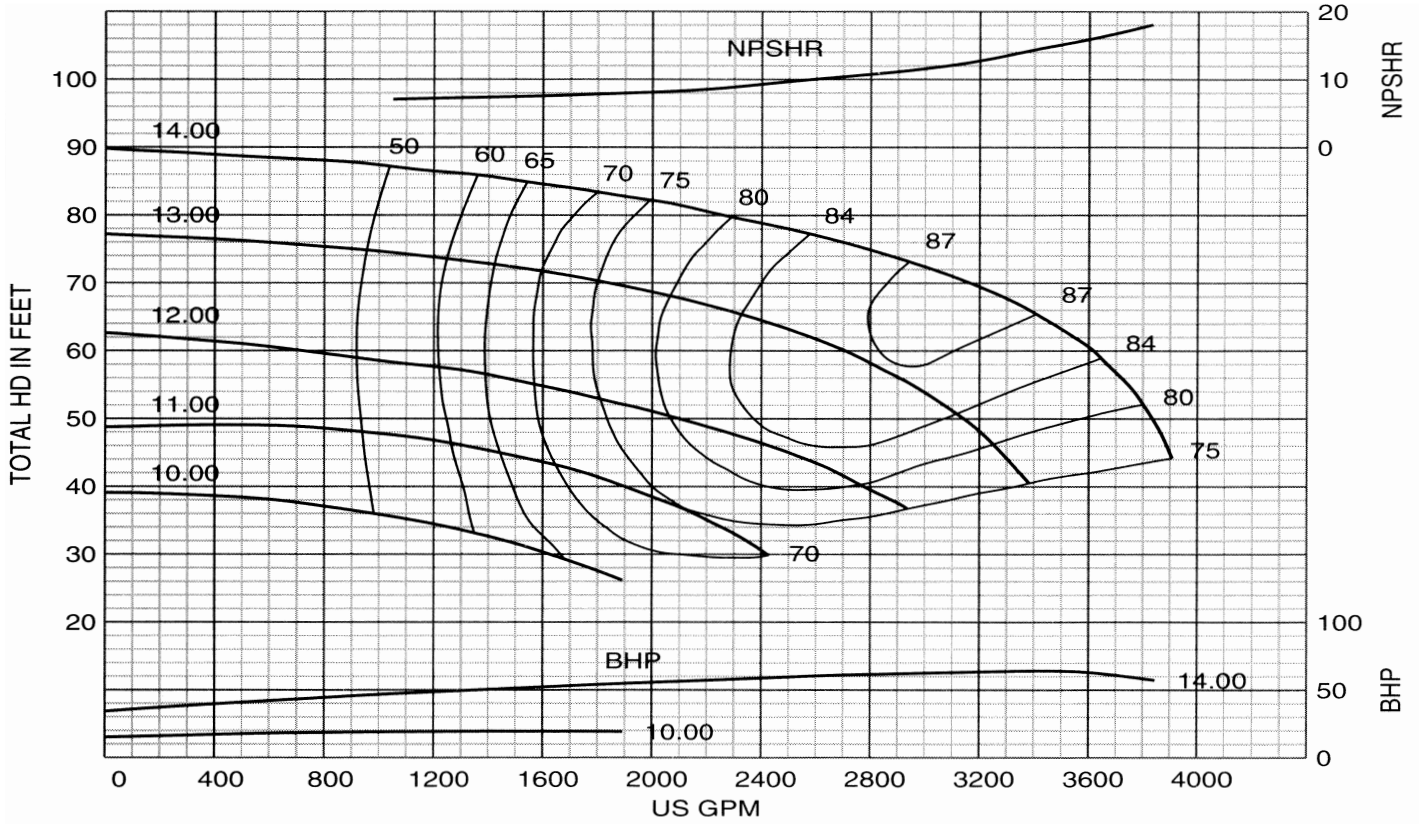
RPM: 1175 SOLIDS: 11/16"



Performance Curve – 10" 5821

IMPELLER: D10C1A SUCTION: 12" INLET: 84.4 in²

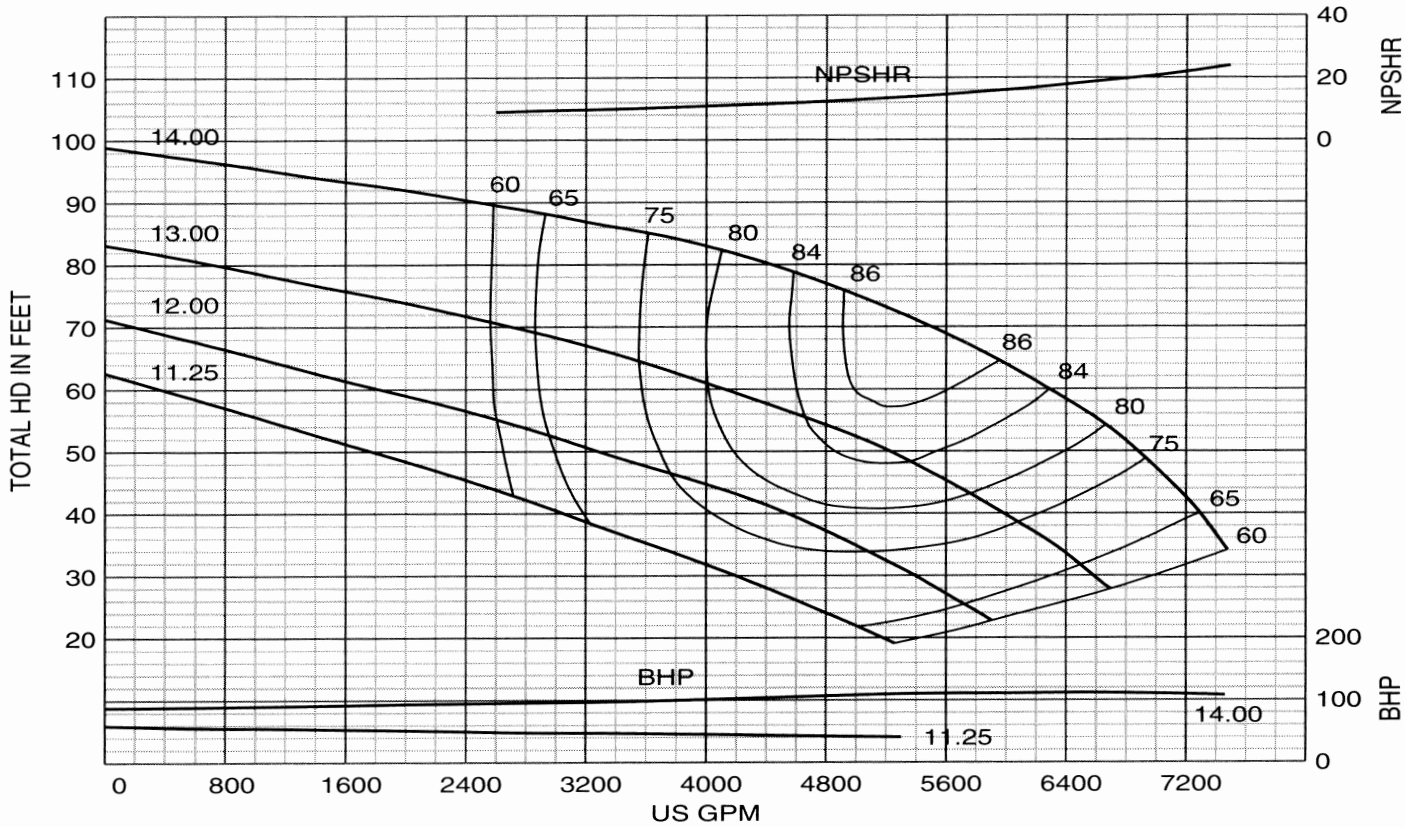
RPM: 1185 SOLIDS: 1-1/8"



Performance Curve – 12" 5821

IMPELLER: D12C1B SUCTION: 14" INLET: 143.0 in²

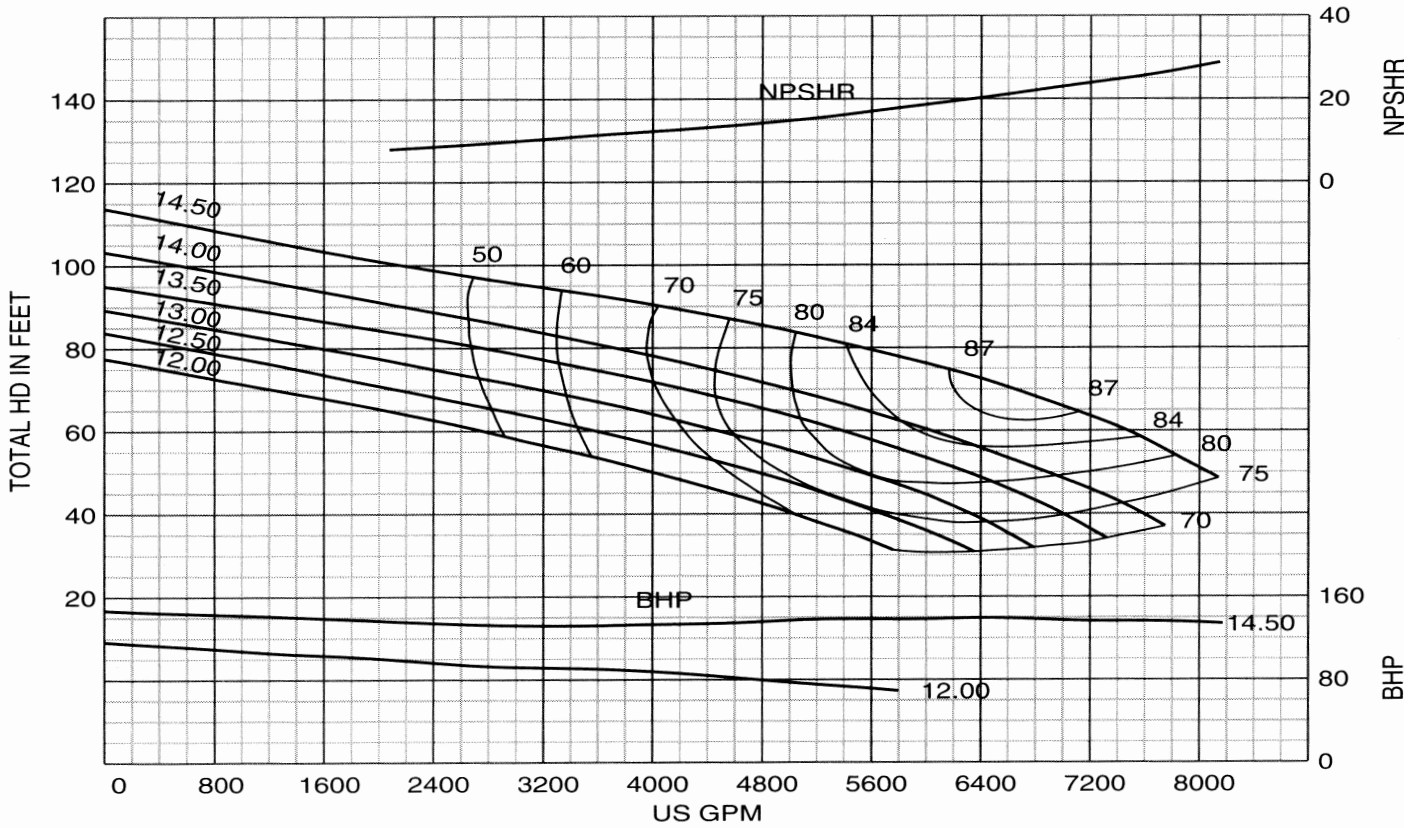
RPM: 1185 SOLIDS: 1-1/4"



Performance Curve - 14" 5821

RPM: 1185 SOLIDS: 1-1/4"

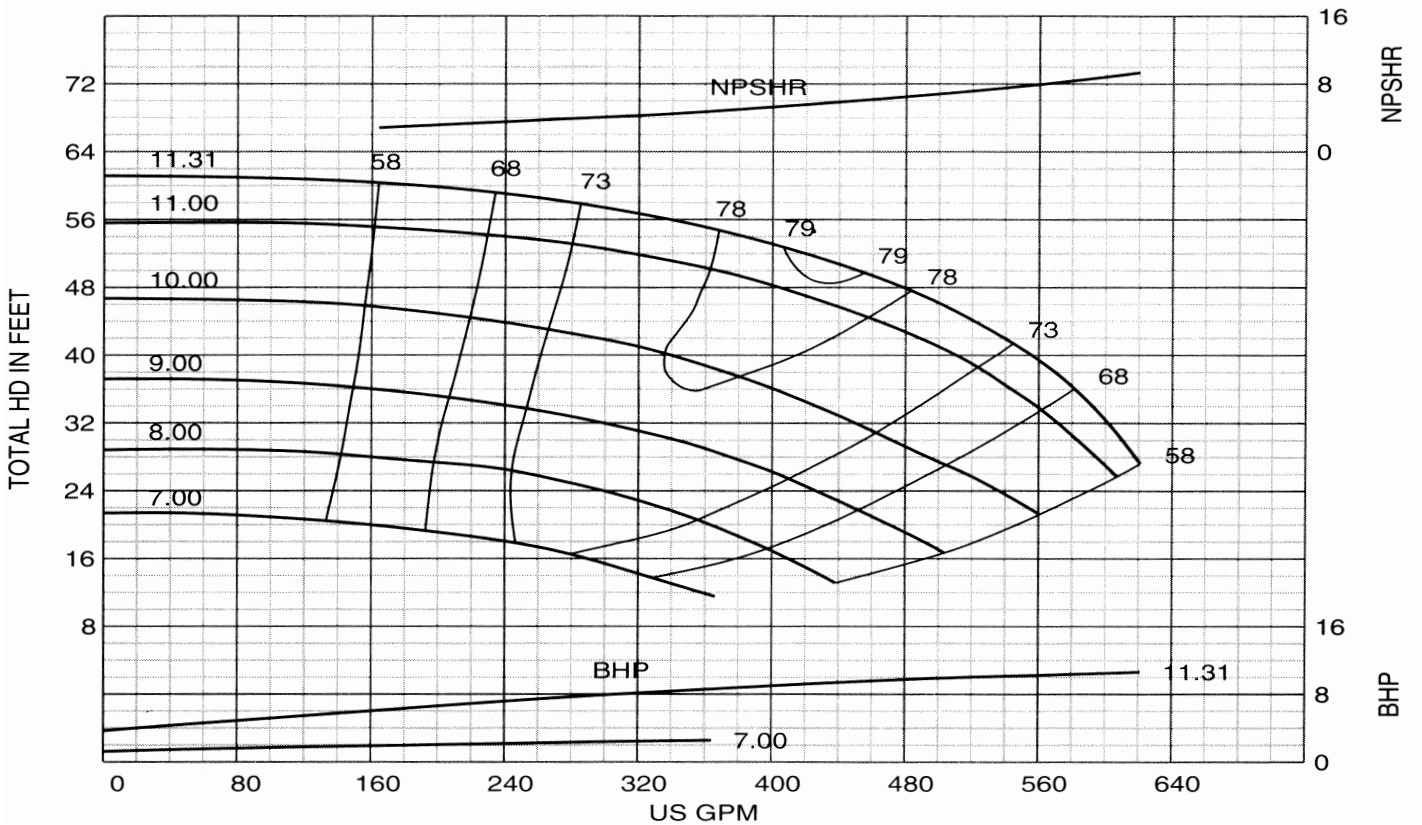
IMPELLER: D14C1A SUCTION: 16" INLET: 142.0 in²



Performance Curve - 4" 5822

RPM: 1170 SOLIDS: 1/2"

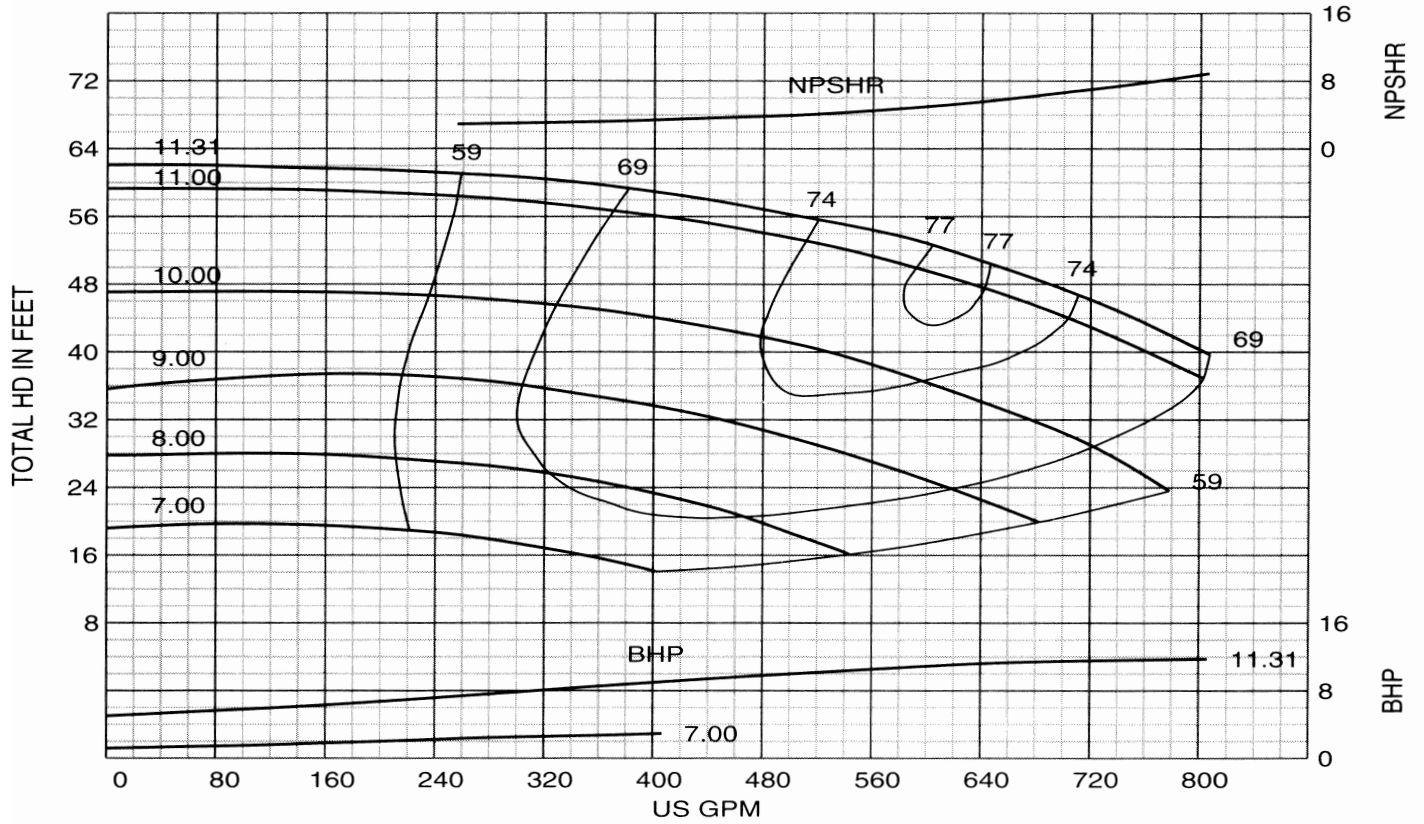
IMPELLER: D4B1C SUCTION: 5" INLET: 18.8 in²



Performance Curve - 5" 5822

IMPELLER: D5B1K SUCTION: 6" INLET: 26.2 in²

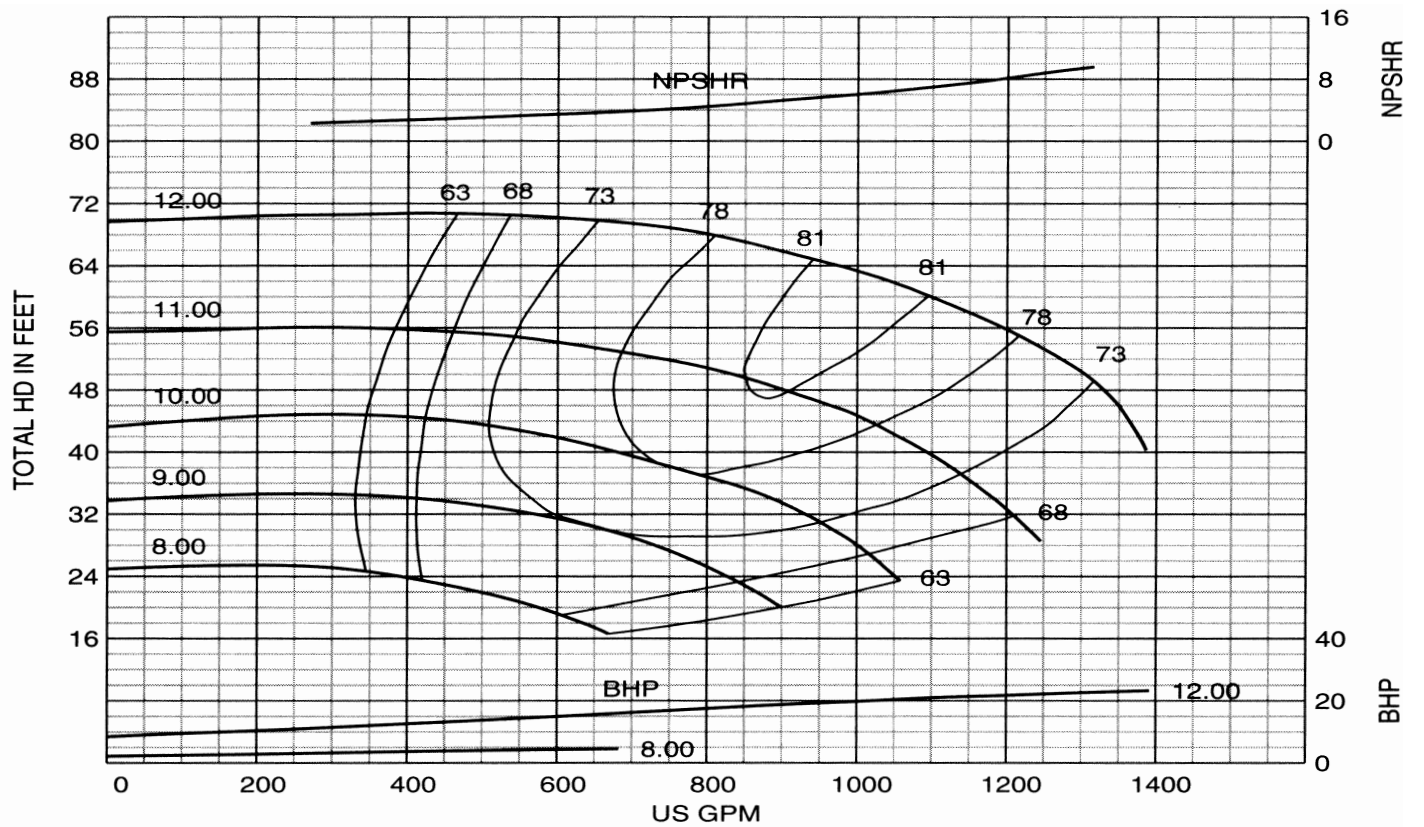
RPM: 1170 SOLIDS: 5/8"



Performance Curve - 6" 5822

IMPELLER: D6B1F SUCTION: 8" INLET: 33.6 in²

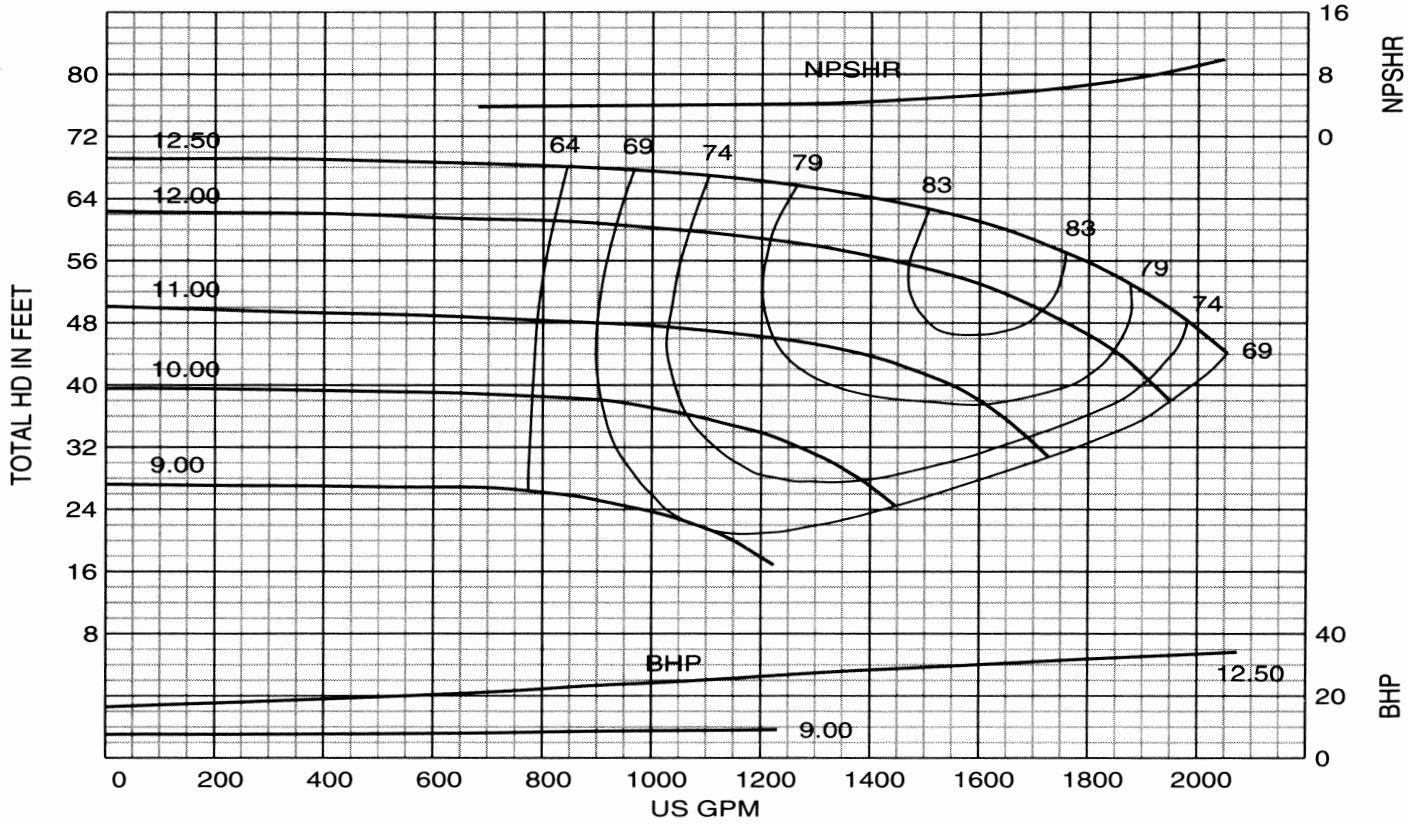
RPM: 1175 SOLIDS: 13/16"



Performance Curve - 8" 5822

RPM: 1180 SOLIDS: 15/16"

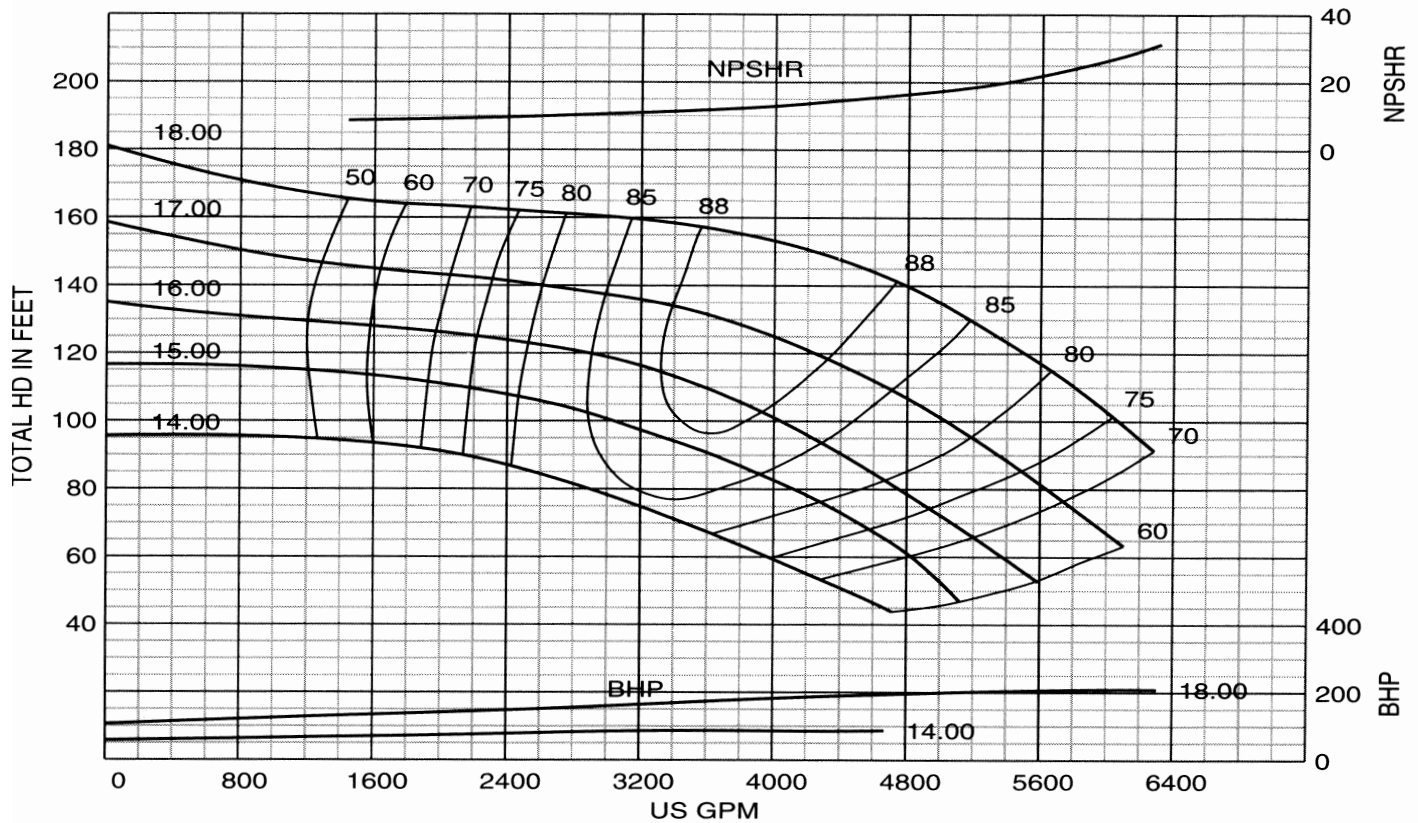
IMPELLER: D8B1R SUCTION: 10" INLET: 59.1in²



Performance Curve - 12" 5822

RPM: 1185 SOLIDS: 1"

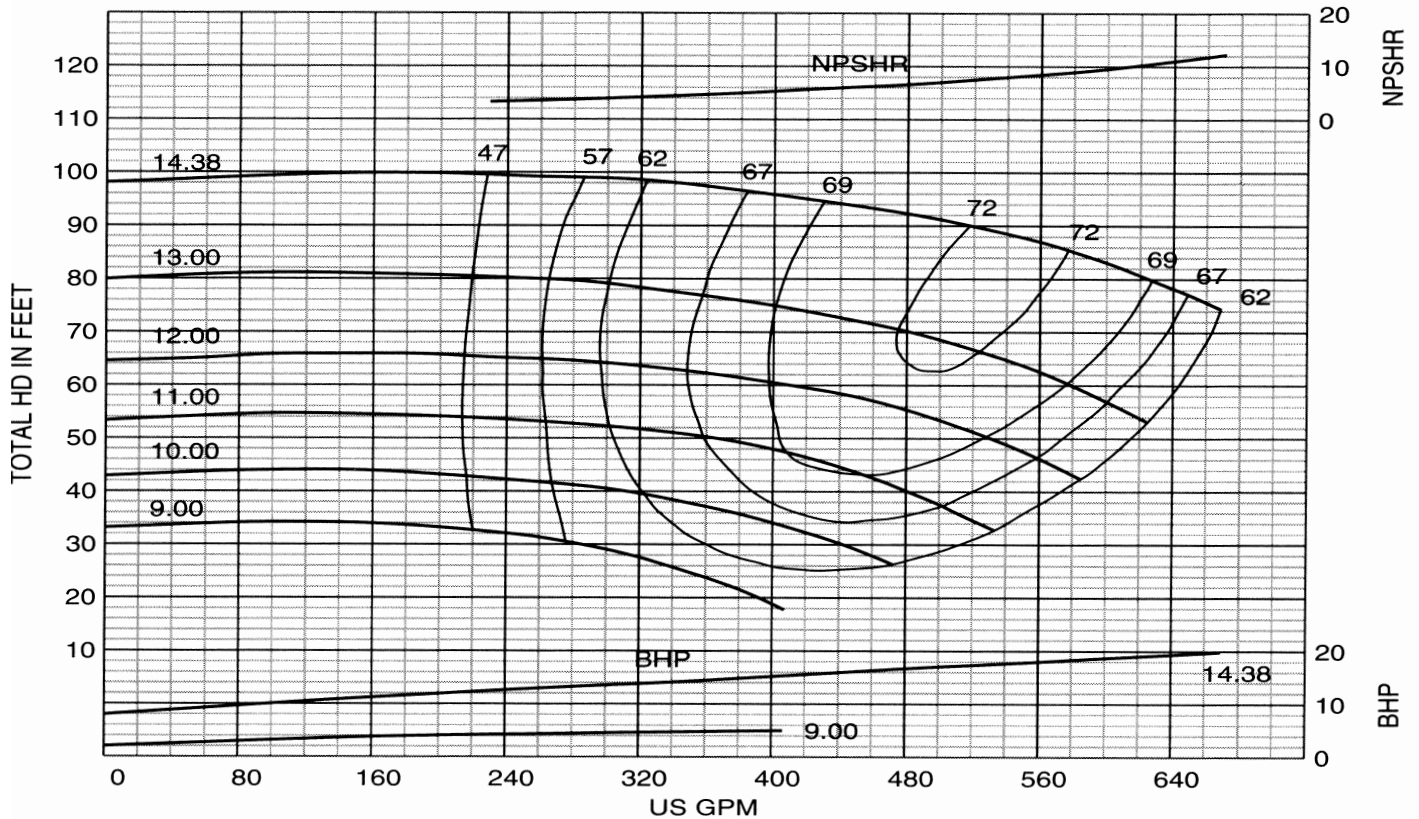
IMPELLER: D12B1A SUCTION: 14" INLET: 107.0in²



Performance Curve - 4" 5823

IMPELLER: D4A1C SUCTION: 5" INLET: 24.4 in²

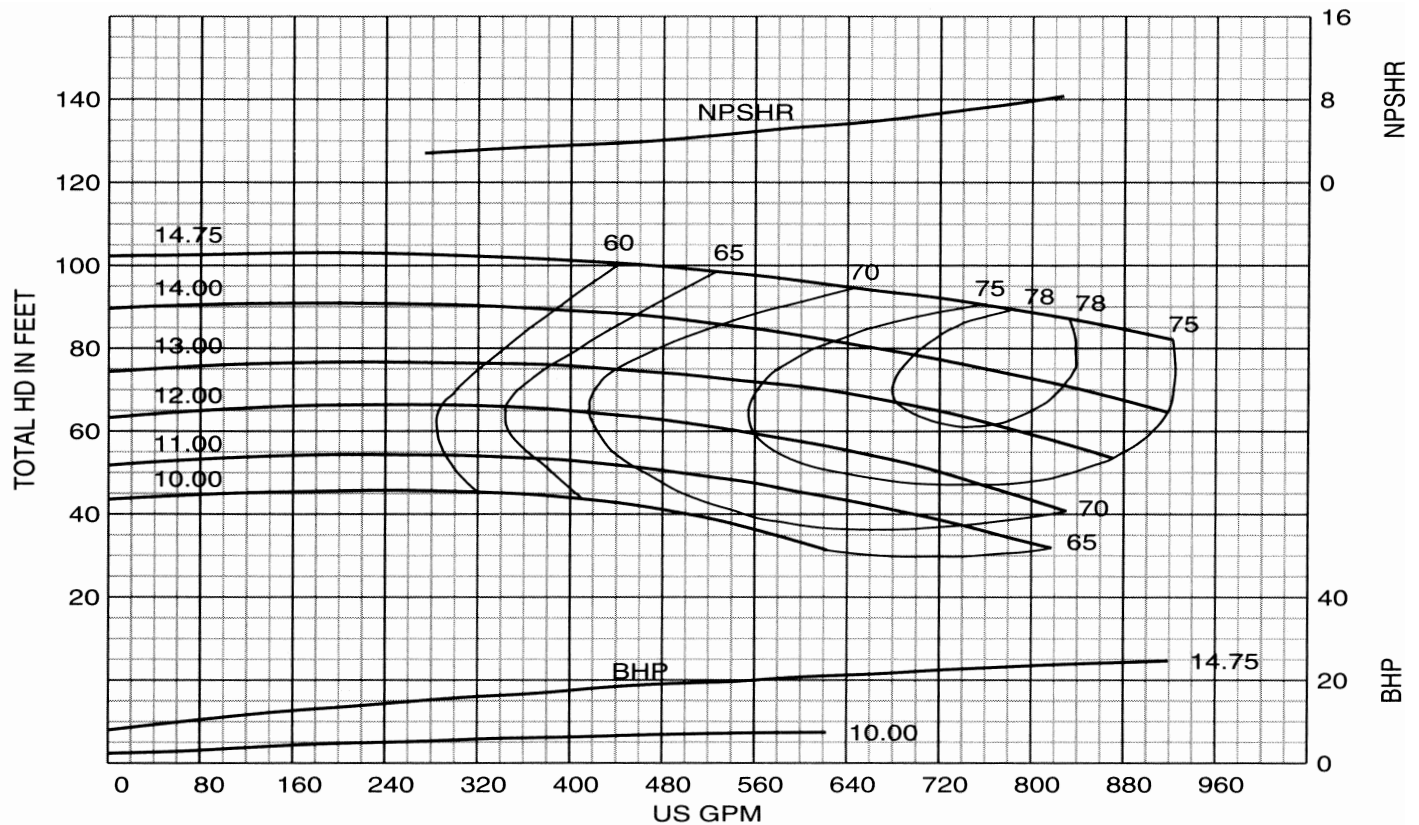
RPM: 1175 SOLIDS: 7/16"



Performance Curve - 5" 5823

IMPELLER: D5A1G SUCTION: 6" INLET: 31.8 in²

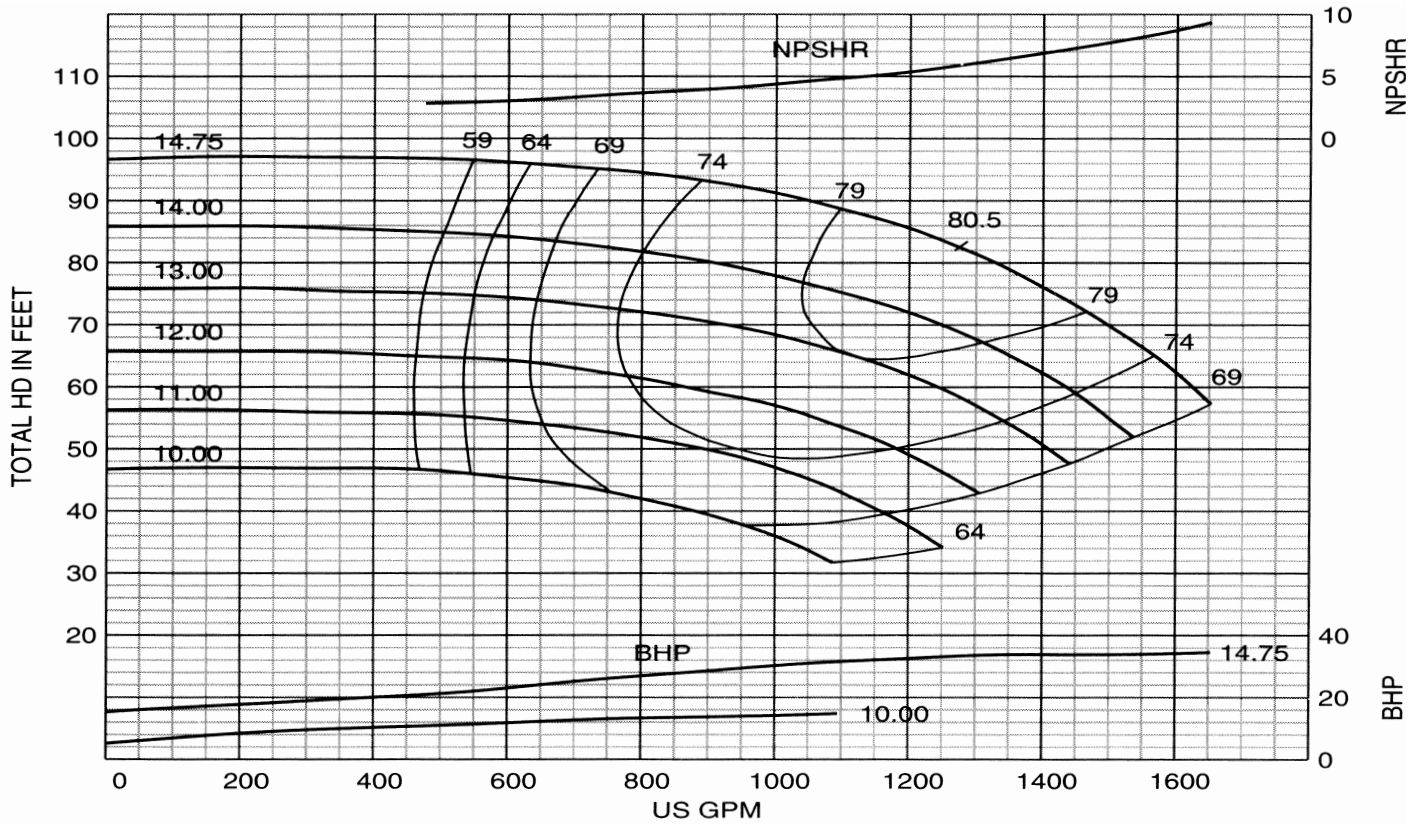
RPM: 1175 SOLIDS: 9/16"



Performance Curve - 6" 5823

RPM: 1180 SOLIDS: 7/8"

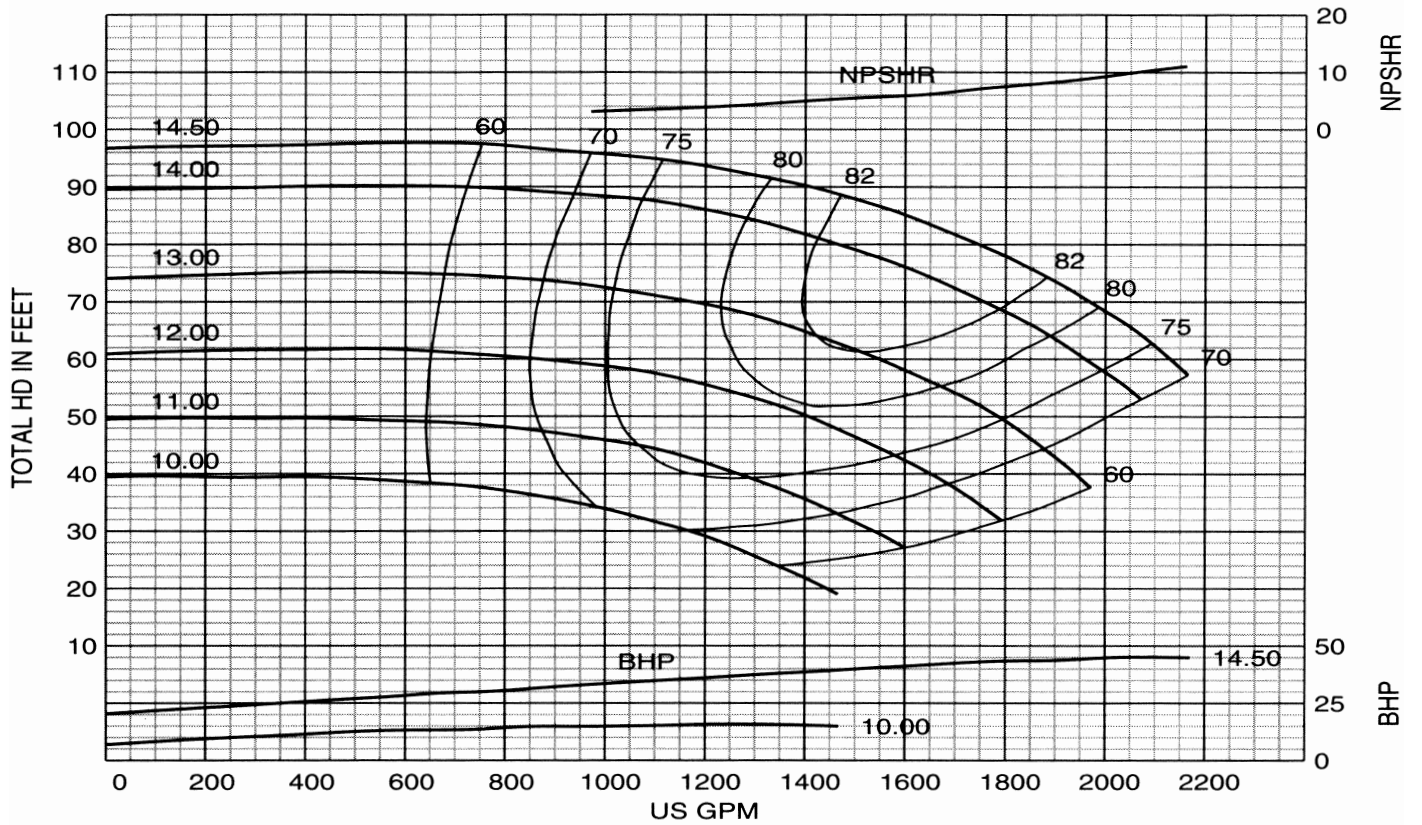
IMPELLER: D6A1F SUCTION: 8" INLET: 49.2 in²



Performance Curve - 8" 5823

RPM: 1185 SOLIDS: 15/16"

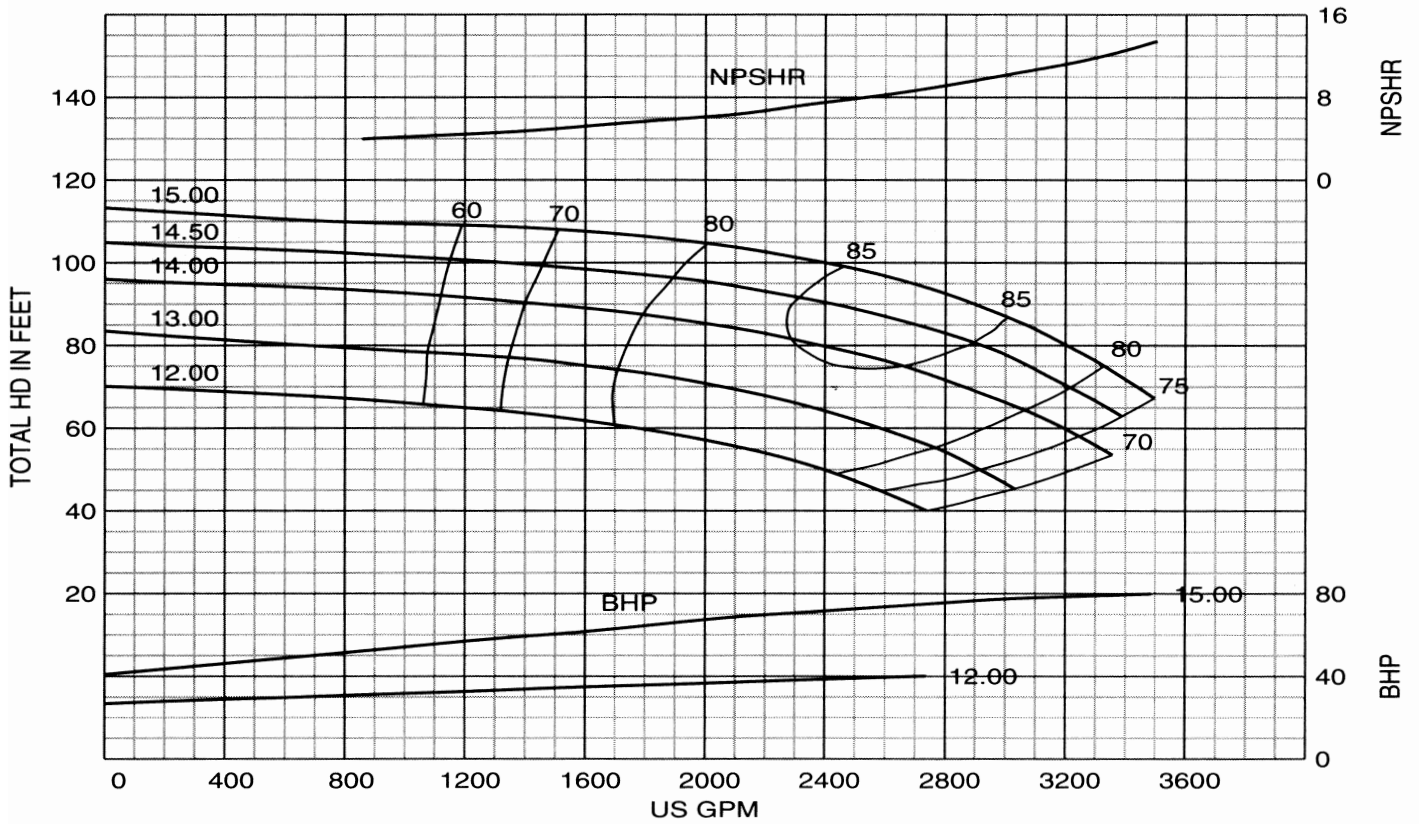
IMPELLER: D8A1F SUCTION: 10" INLET: 64.4 in²



Performance Curve – 10" 5823

IMPELLER: D10A1A SUCTION: 12" INLET: 89.4 in²

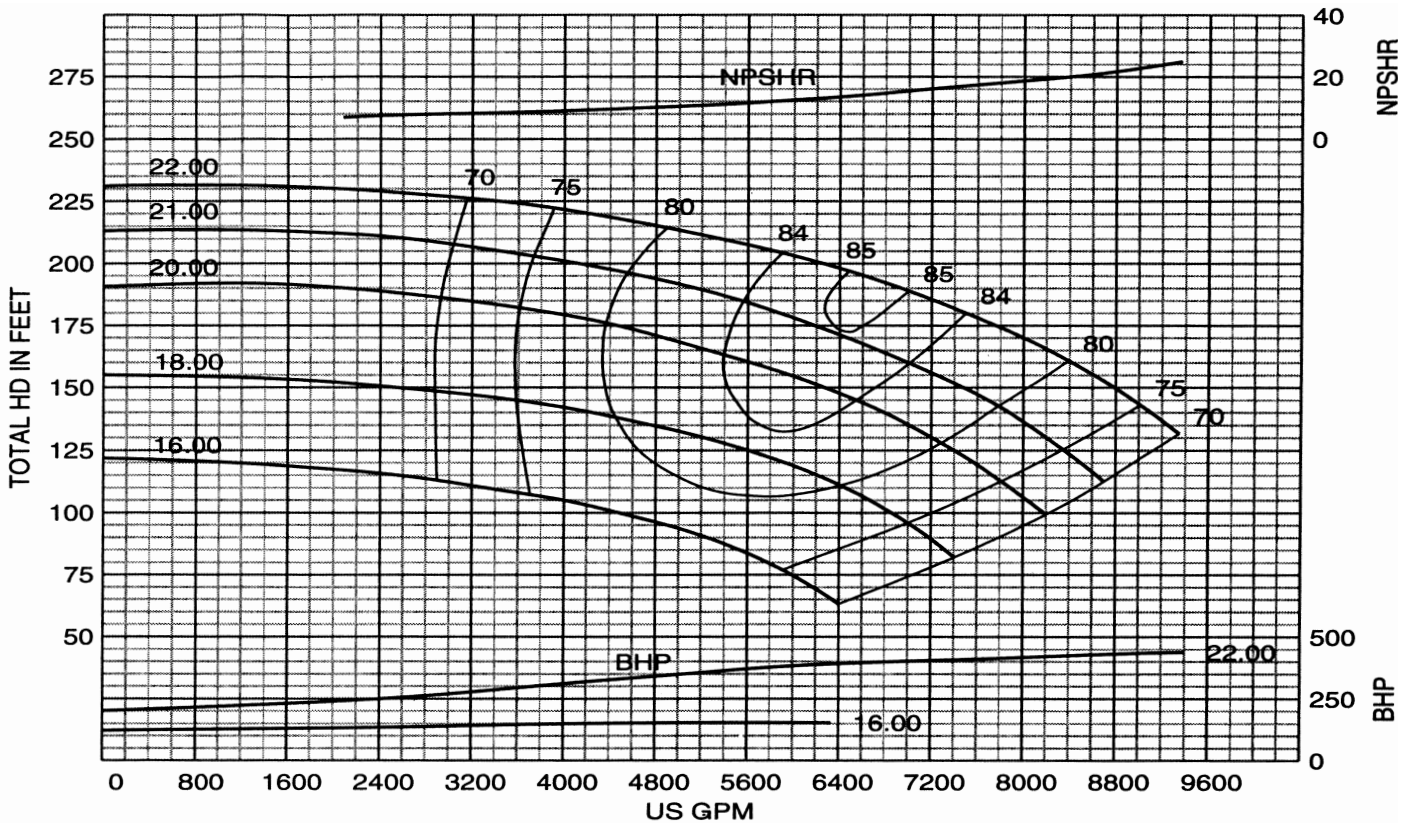
RPM: 1185 SOLIDS: 7/8"



Performance Curve – 12" 5823

IMPELLER: D12A1A SUCTION: 14" INLET: 149.00 in²

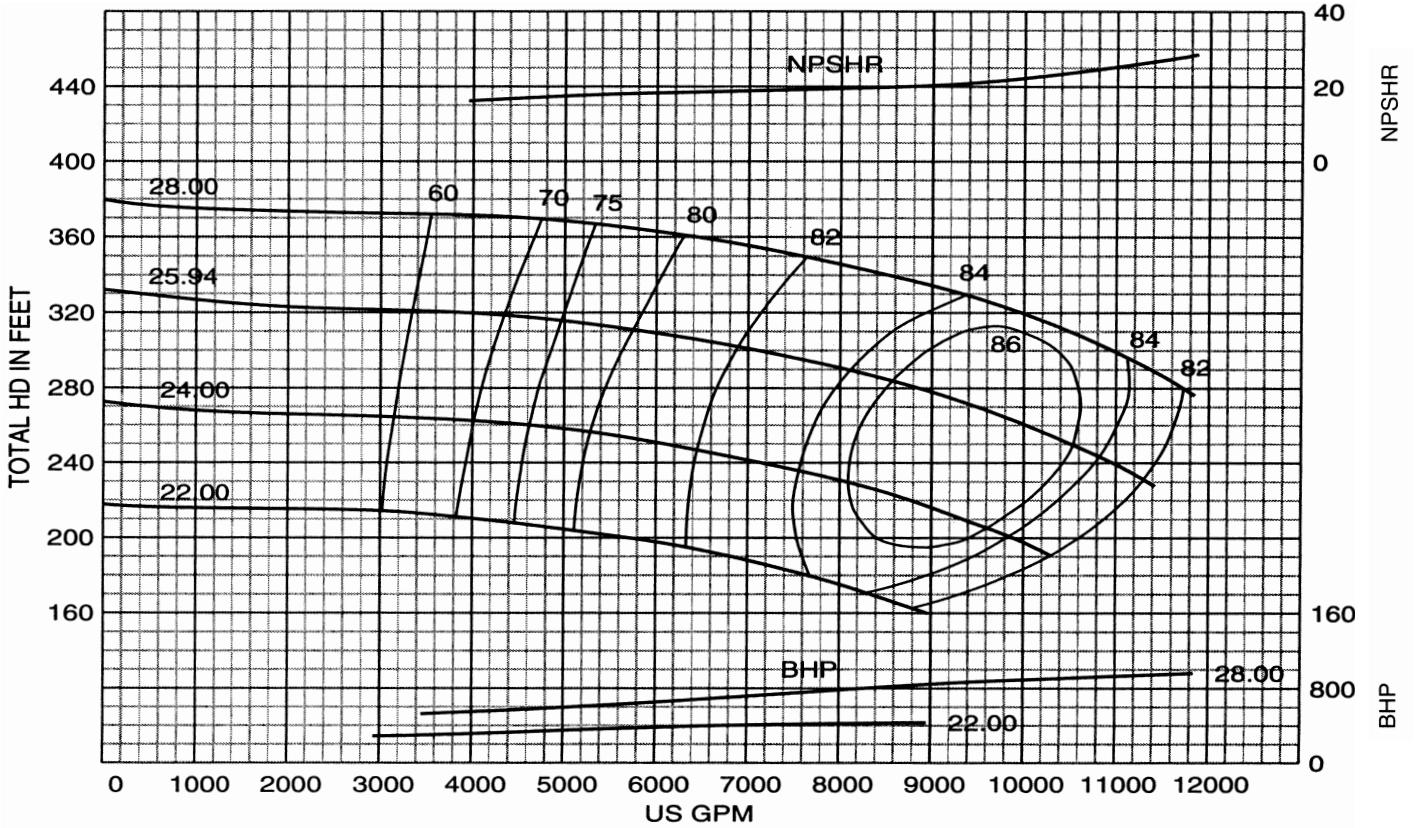
RPM: 1185 SOLIDS: 1-1/2"



Performance Curve - 16" 5823

IMPELLER: M16A1C SUCTION: 20" INLET: 207.54 in²

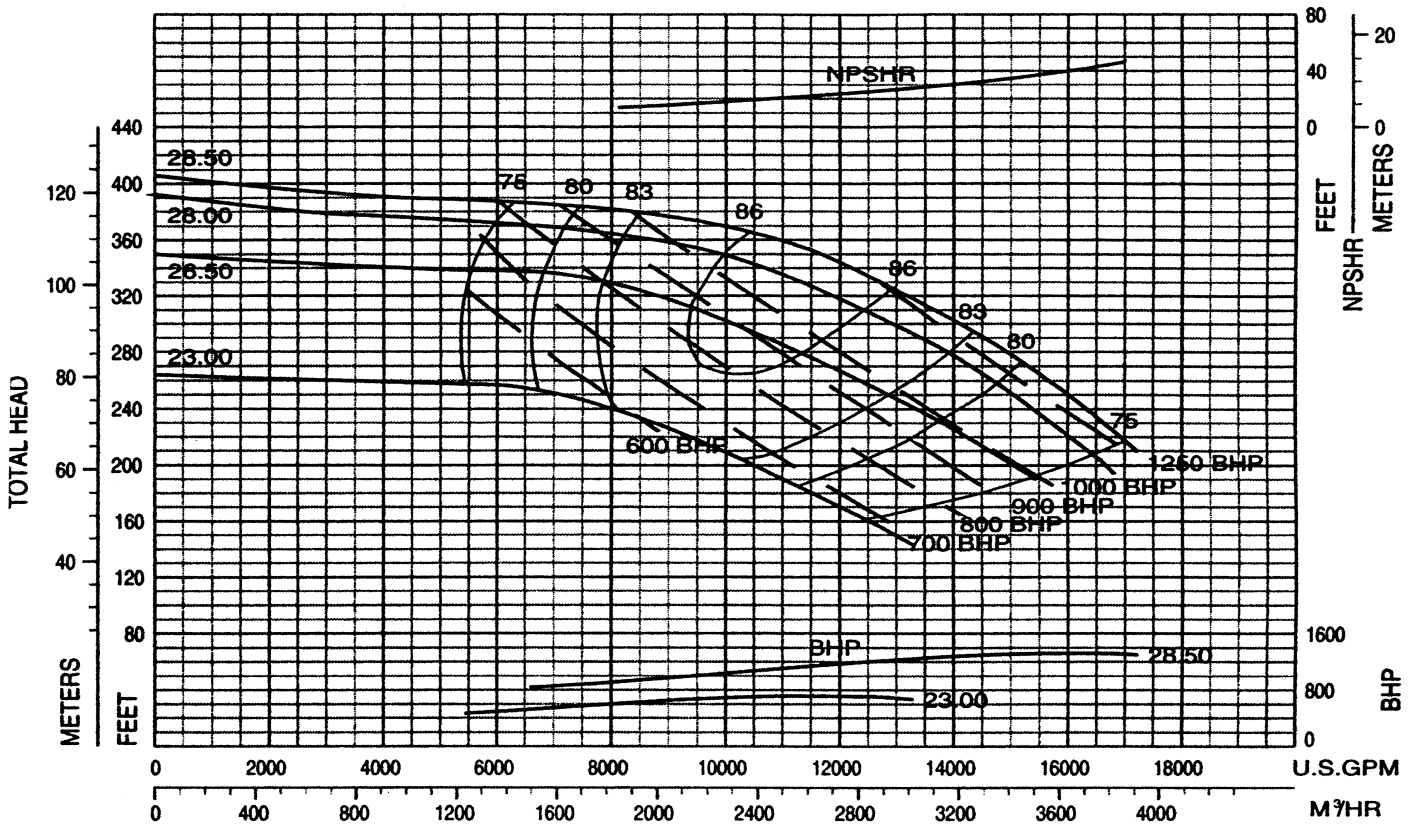
RPM: 1185 SOLIDS: 7/8"



Performance Curve - 16" 5823

IMPELLER: M16A1L SUCTION: 20" INLET: 208 in²

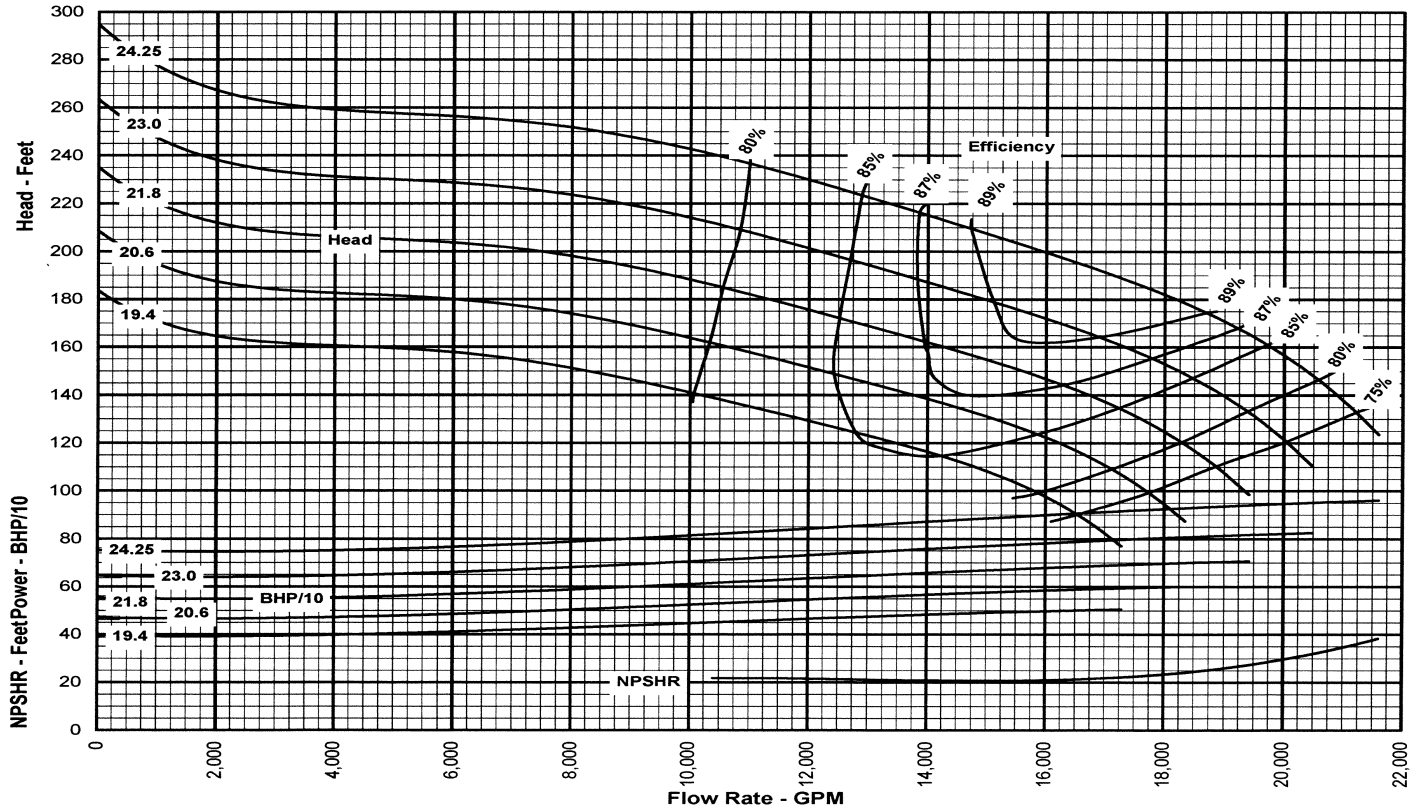
RPM: 1185 SOLIDS: 1"



Performance Curve – 18" 5823

RPM: 1180 SOLIDS: 1.7"

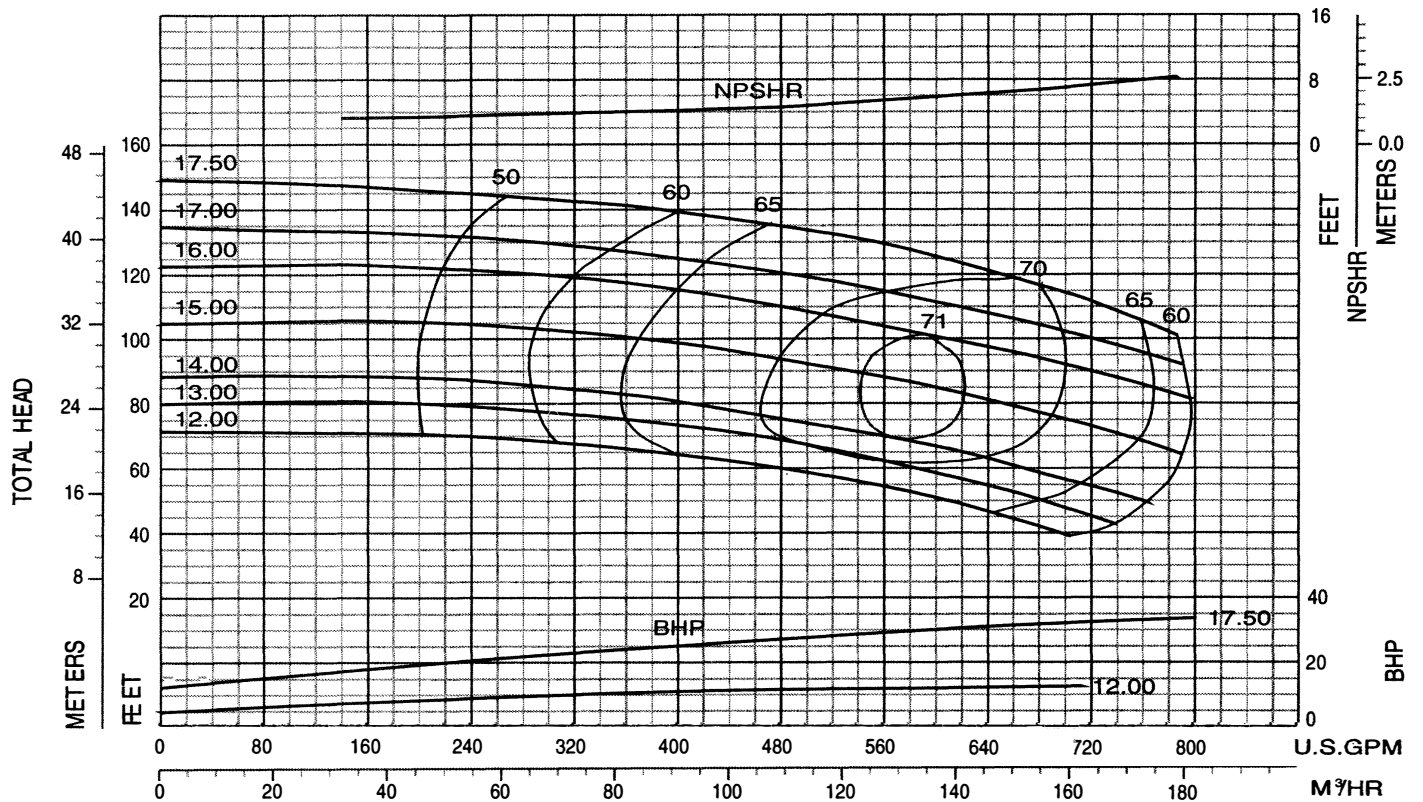
IMPELLER: D18A1B SUCTION: 24" INLET: 330 in²



Performance Curve – 4" 5824

RPM: 1180 SOLIDS: 3/8"

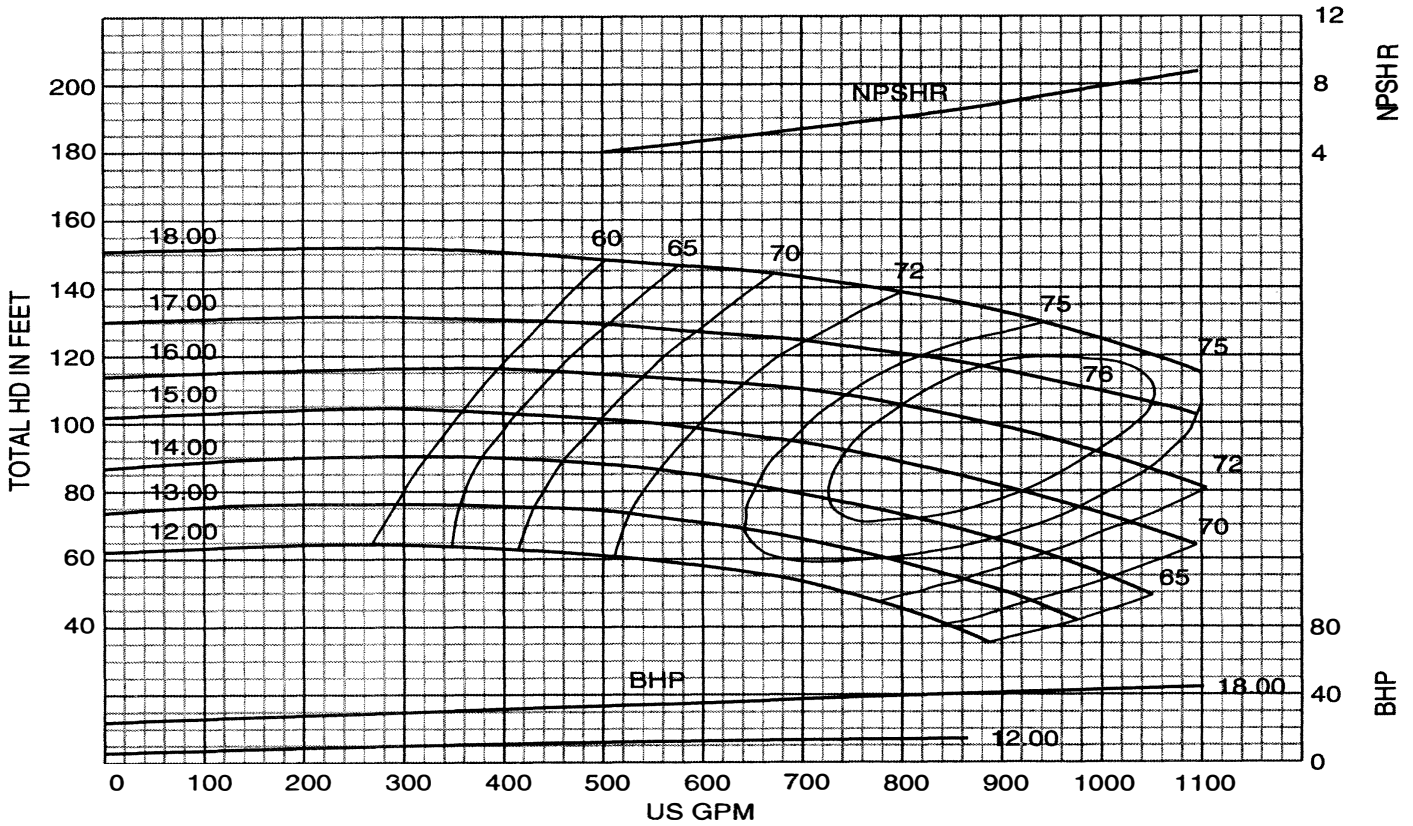
IMPELLER: D4D1B SUCTION: 5" INLET: 23.6 in²



Performance Curve - 5" 5824

RPM: 1185 SOLIDS: 5/8"

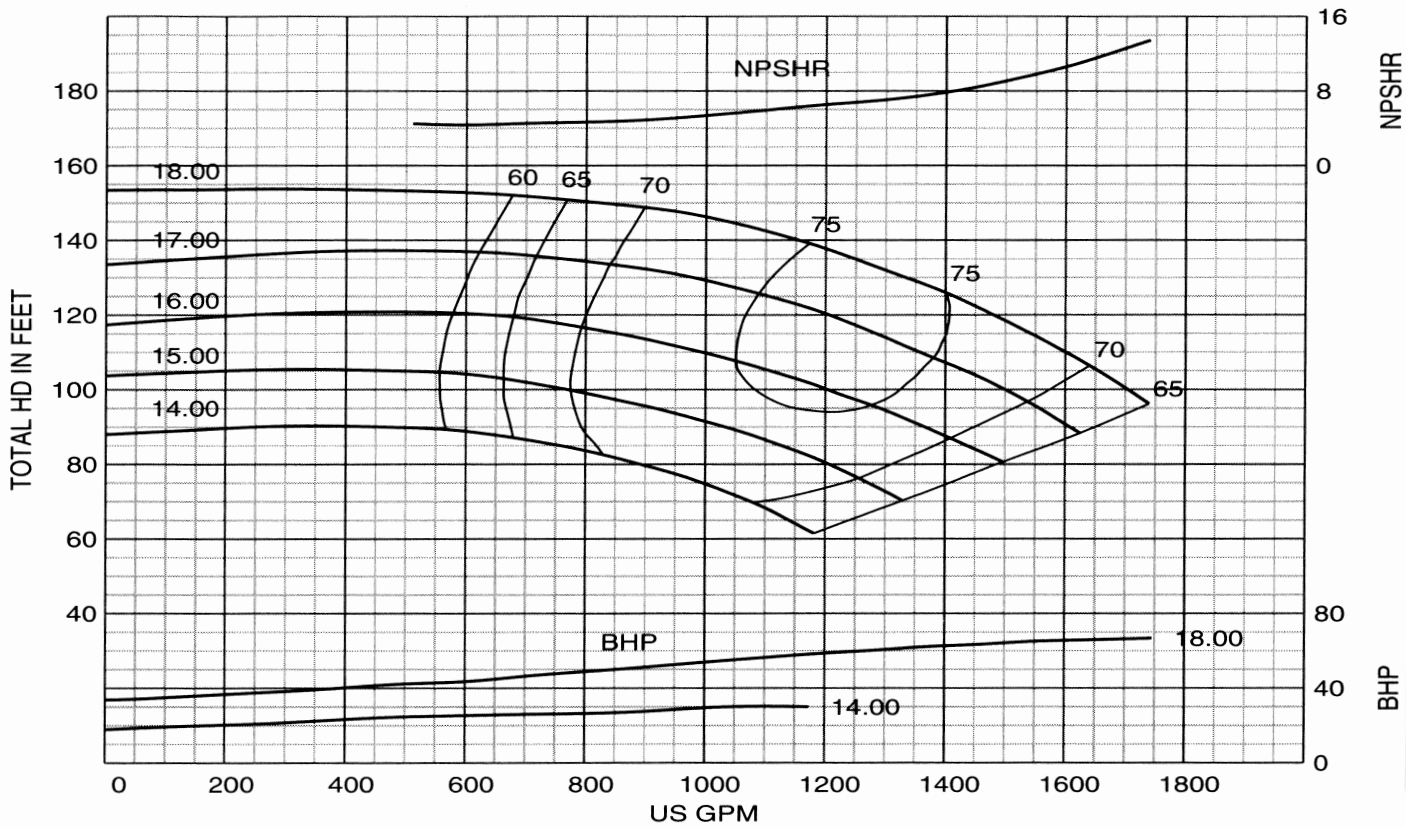
IMPELLER: D5D1F SUCTION: 6" INLET: 30.4 in²



Performance Curve - 6" 5824

RPM: 1185 SOLIDS: 7/8"

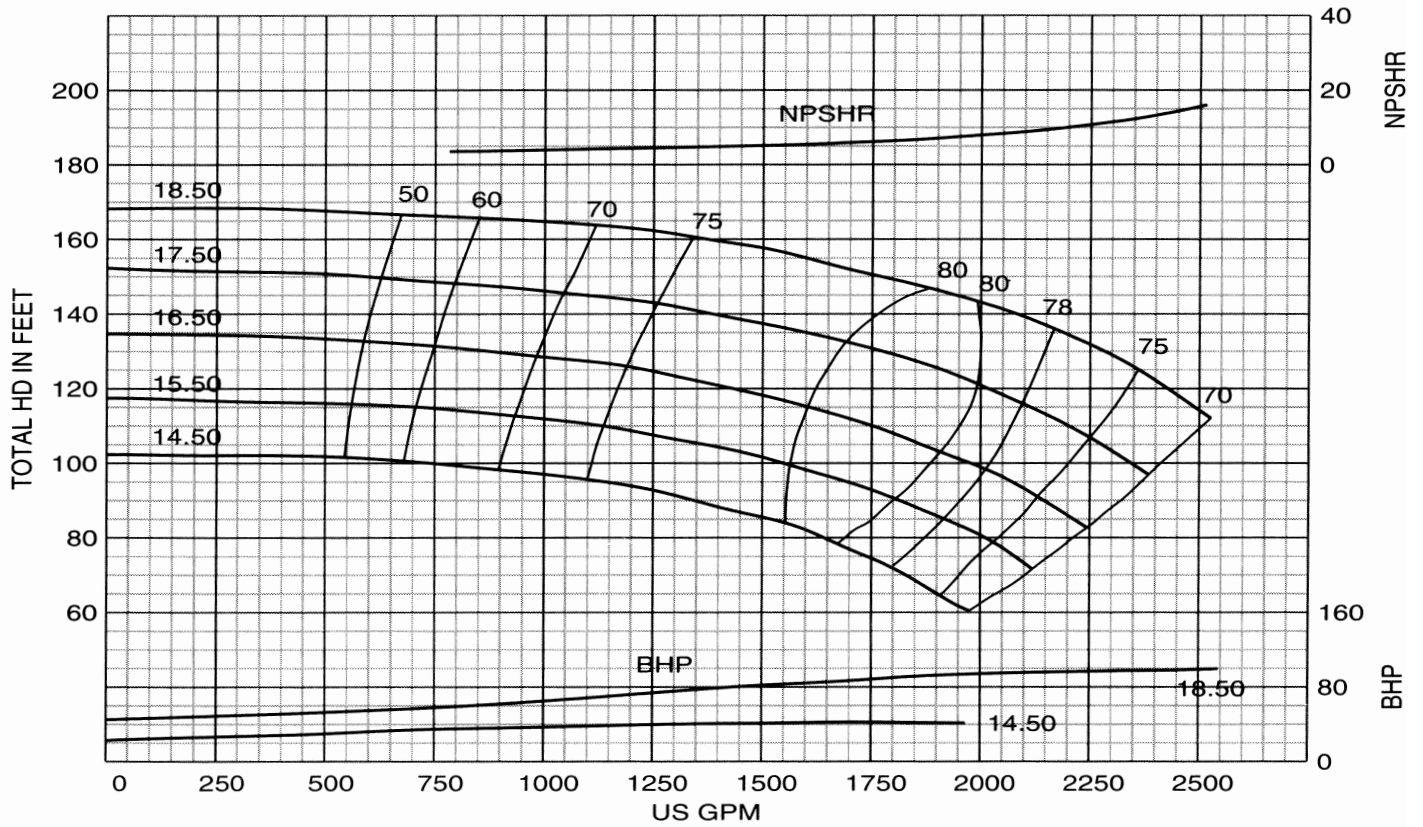
IMPELLER: D6D1AM SUCTION: 8" INLET: 51.6 in²



Performance Curve – 8" 5824

IMPELLER: D8D1G SUCTION: 10" INLET: 62.8 in²

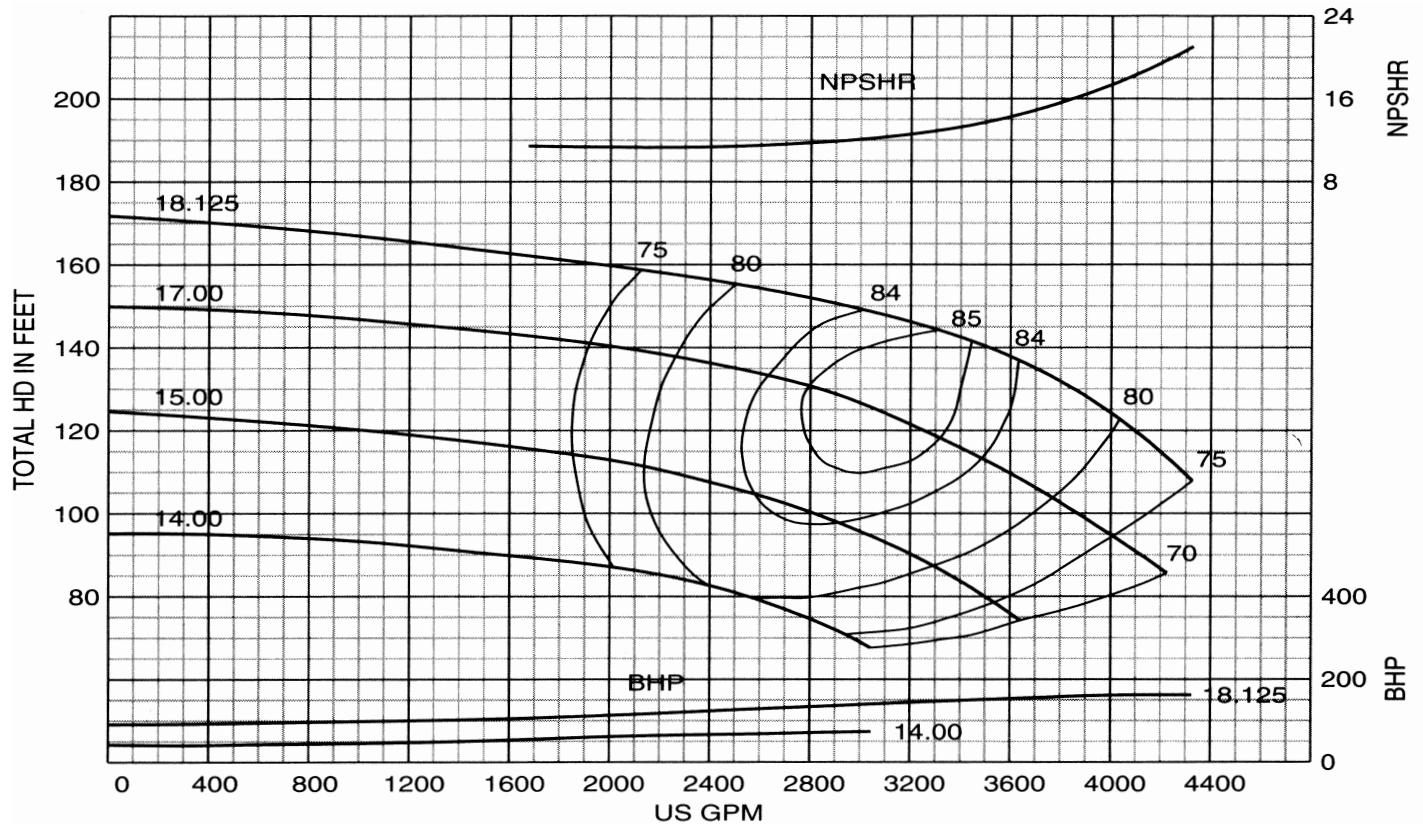
RPM: 1185 SOLIDS: 11/16"



Performance Curve – 10" 5824

IMPELLER: D10D1W SUCTION: 12" INLET: 99.4 in²

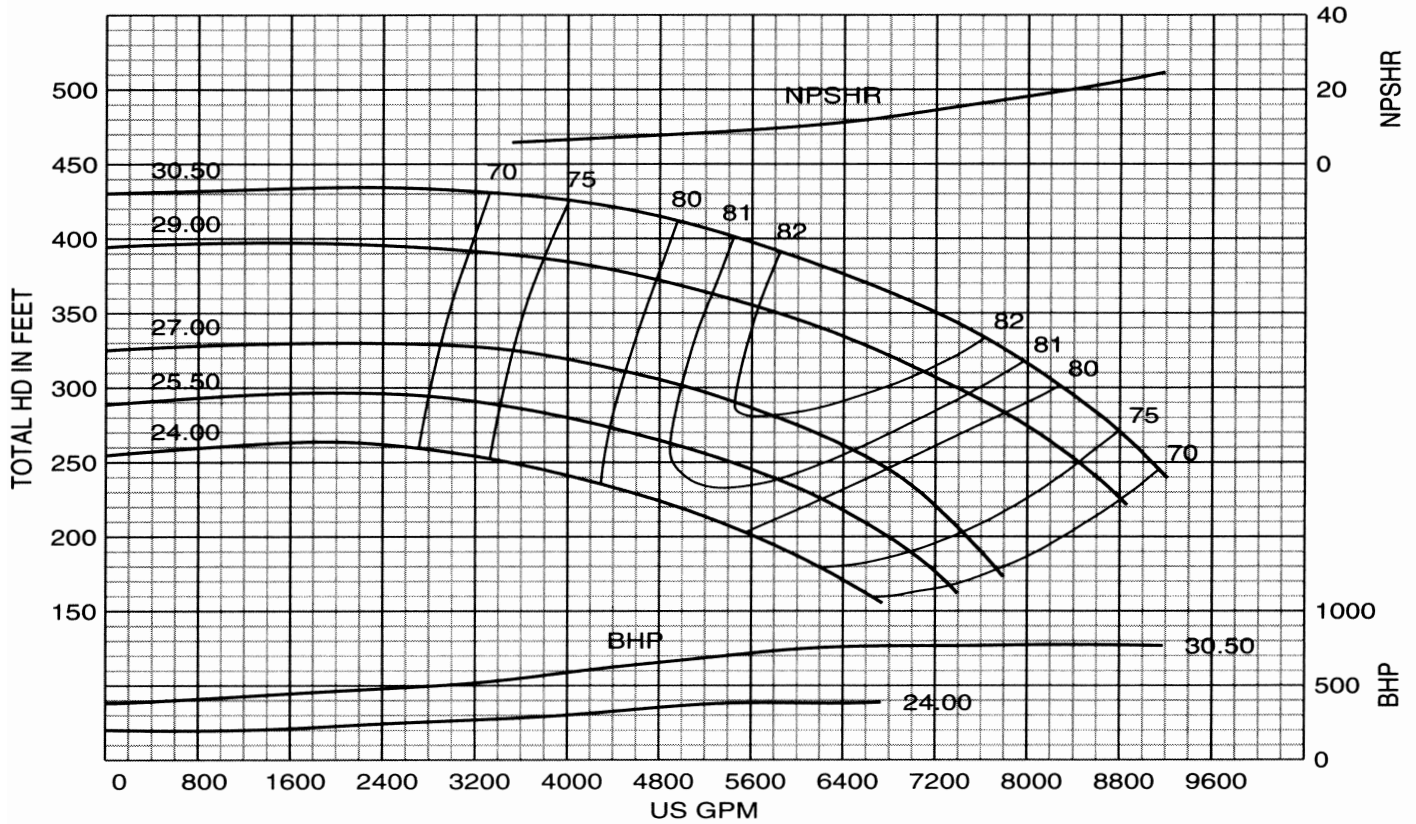
RPM: 1185 SOLIDS: 15/16"



Performance Curve - 10" 5825

RPM: 1185 SOLIDS: 1-7/16"

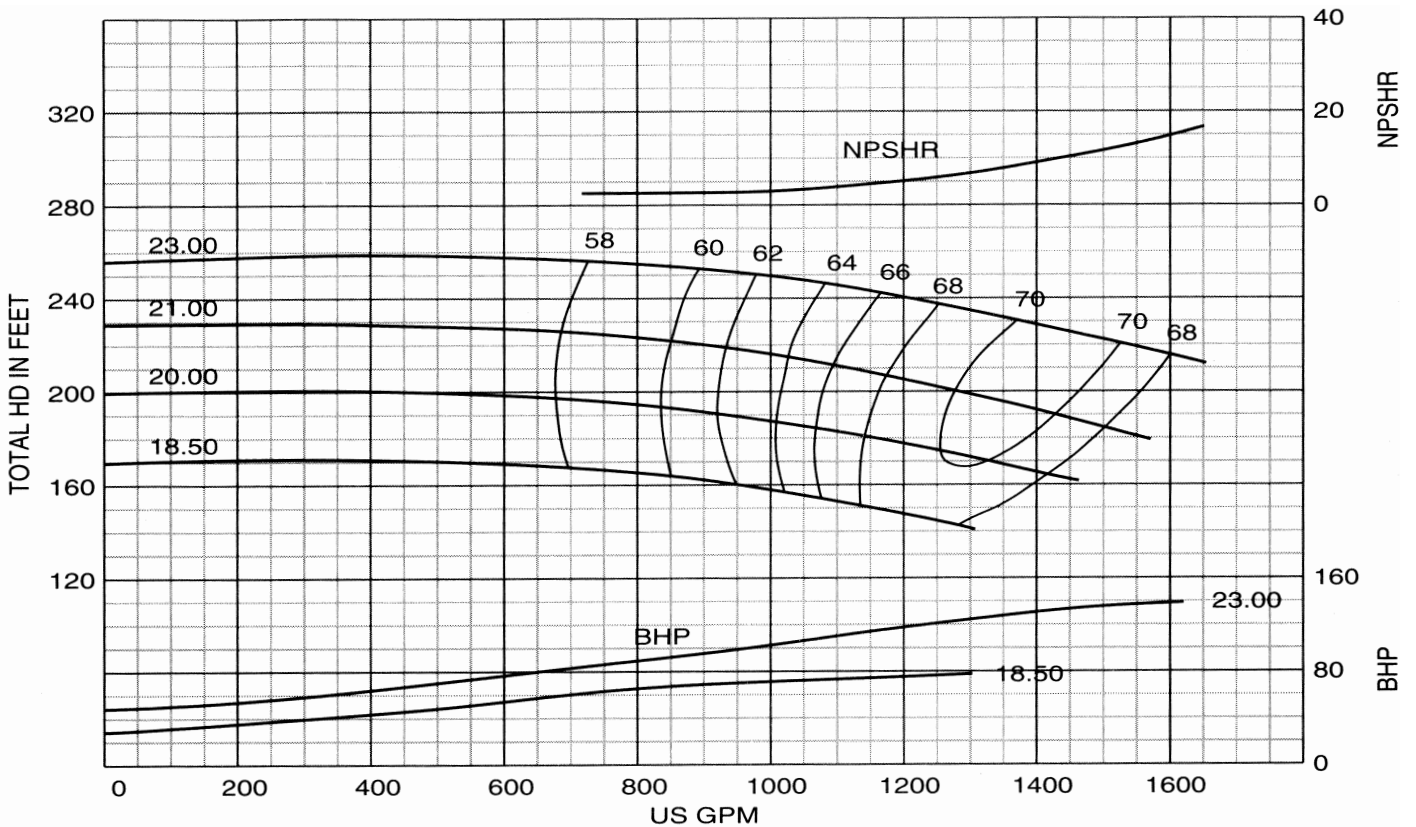
IMPELLER: D10E1A SUCTION: 14" INLET: 151.0 in²



Performance Curve - 6" 5826

RPM: 1185 SOLIDS: 7/8"

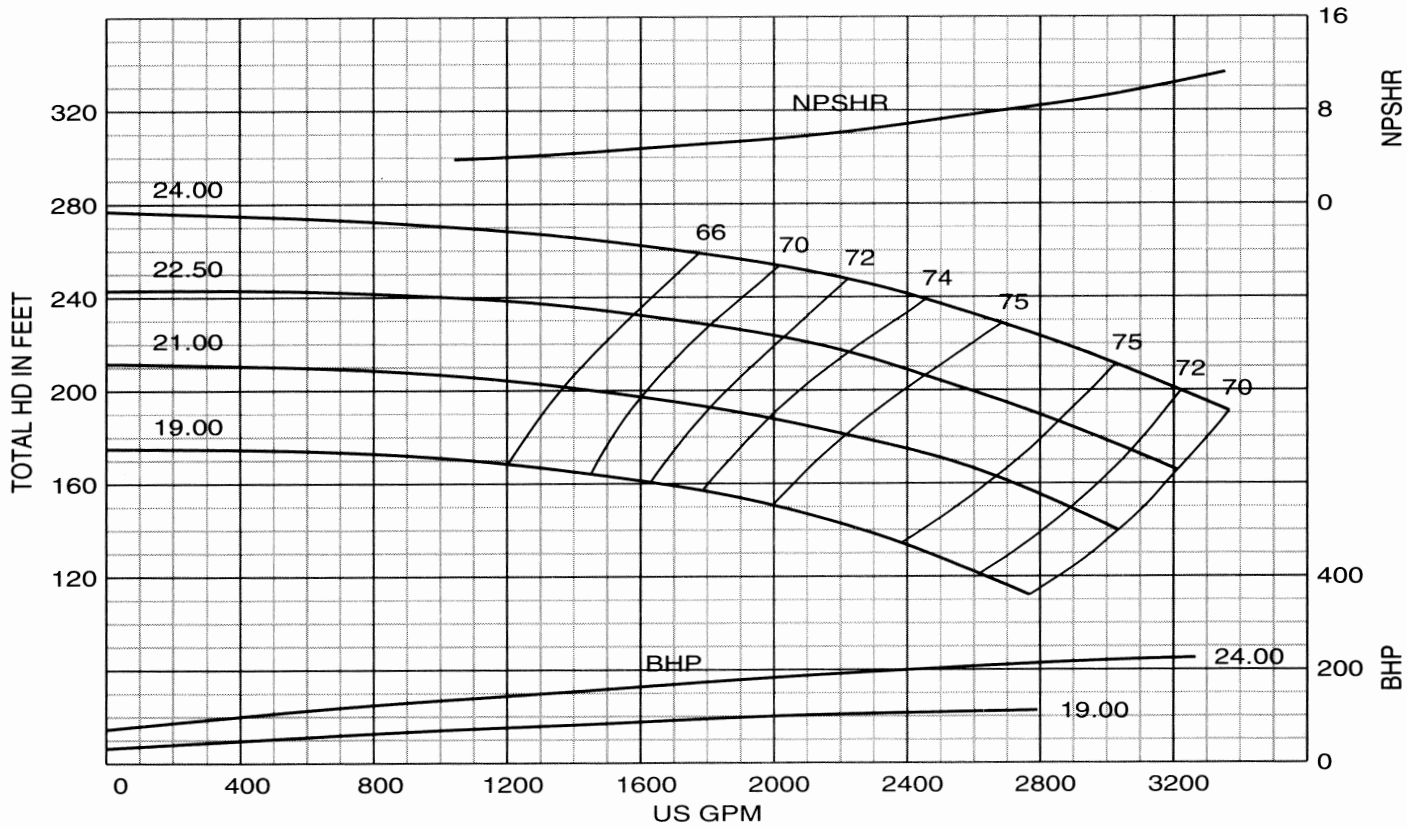
IMPELLER: D6F1A SUCTION: 10" INLET: 52.2 in²



Performance Curve – 8" 5826

IMPELLER: D8F1A SUCTION: 12" INLET: 76.9 in²

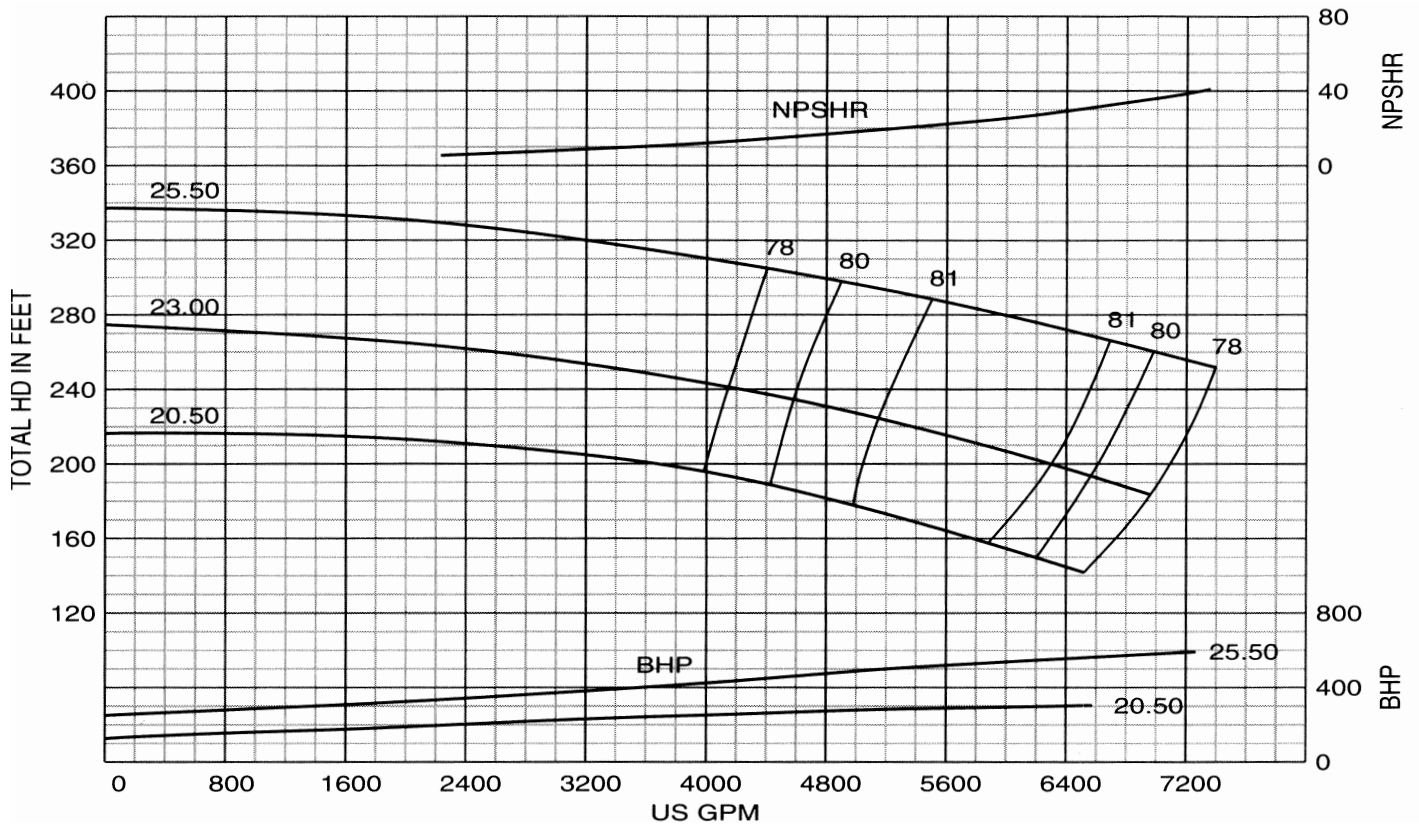
RPM: 1185 SOLIDS: 1"



Performance Curve – 10" 5826

IMPELLER: D10F1A SUCTION: 14" INLET: 133.9 in²

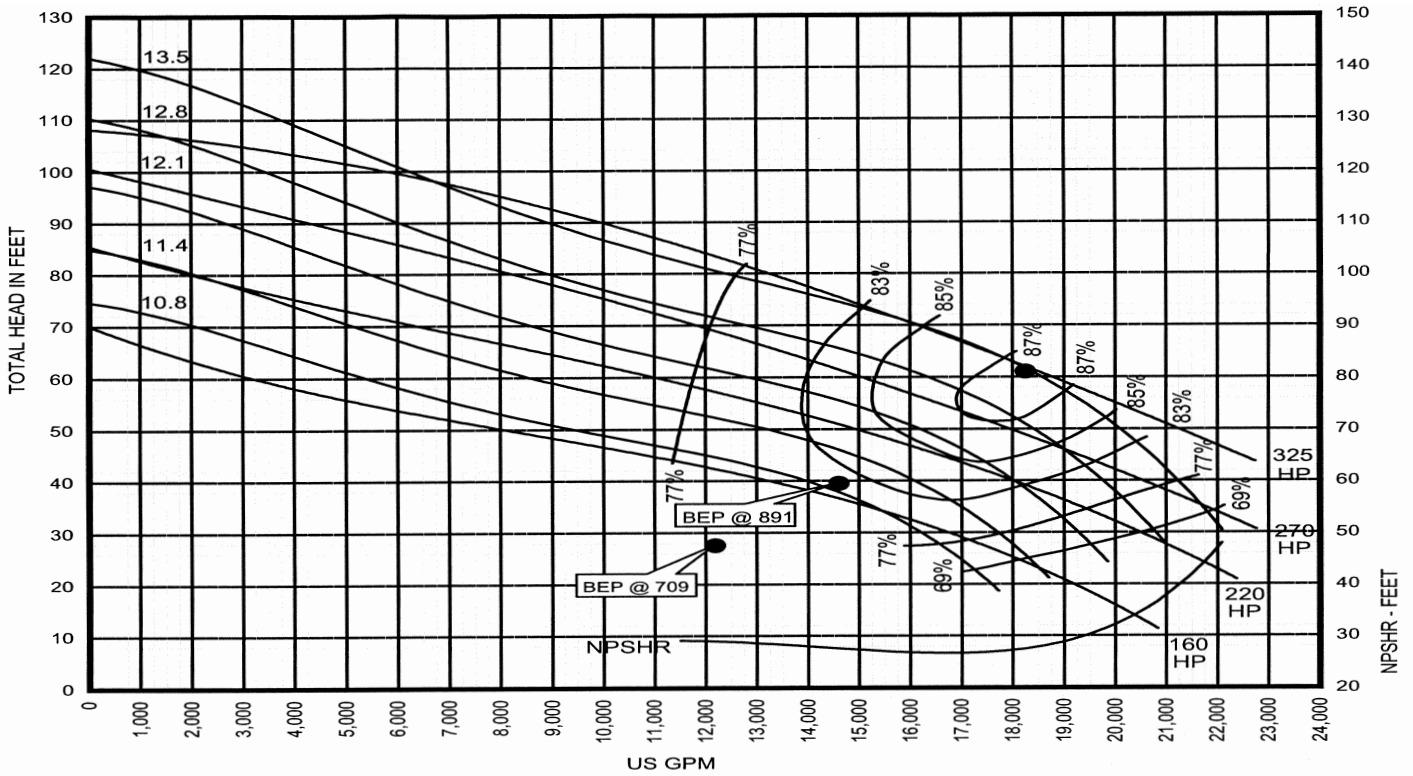
RPM: 1185 SOLIDS: 1-3/8"



Performance Curve - 20" 5822A

RPM: 1185 SOLIDS: 1.5"

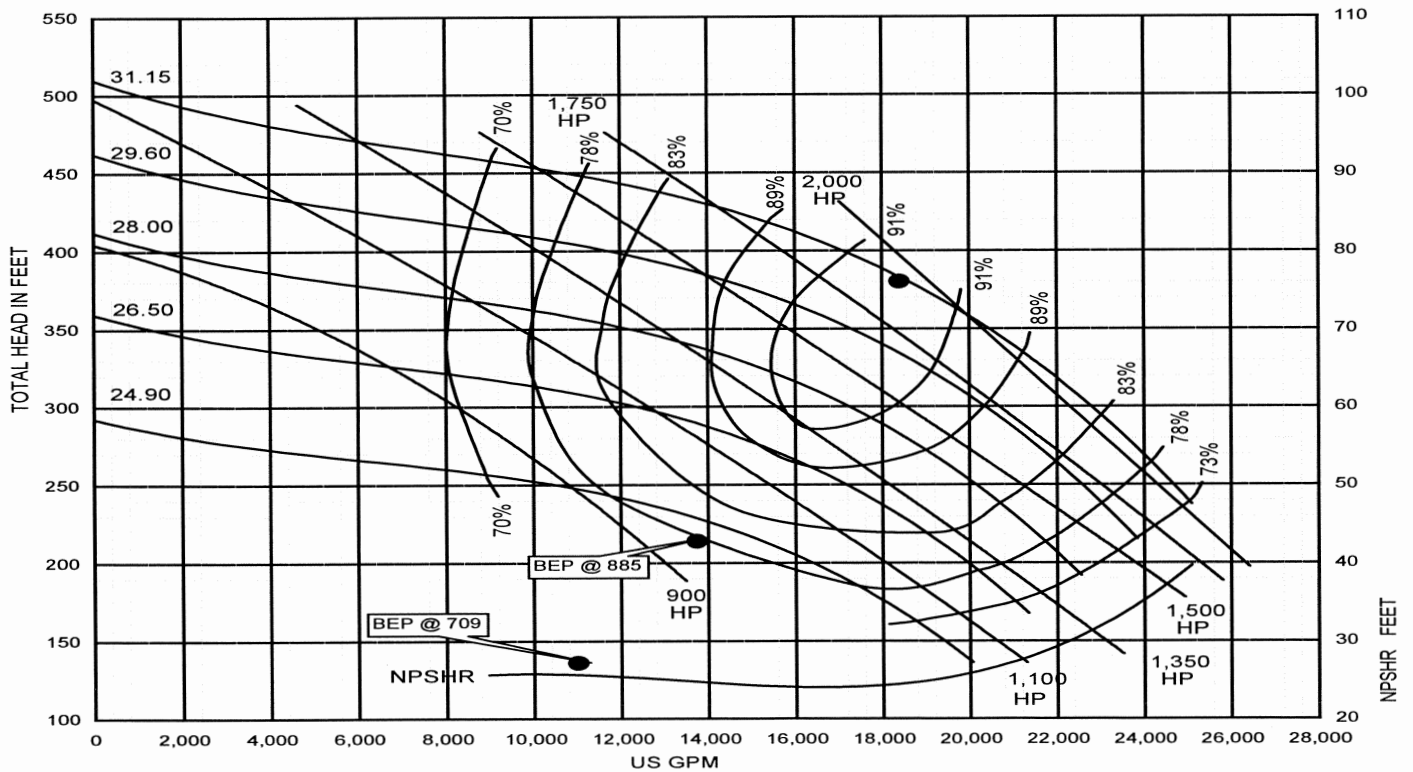
IMPELLER: D20L1A SUCTION: 24" INLET: 280 in²



Performance Curve - 20" 5826A

RPM: 1185 SOLIDS: 3.0"

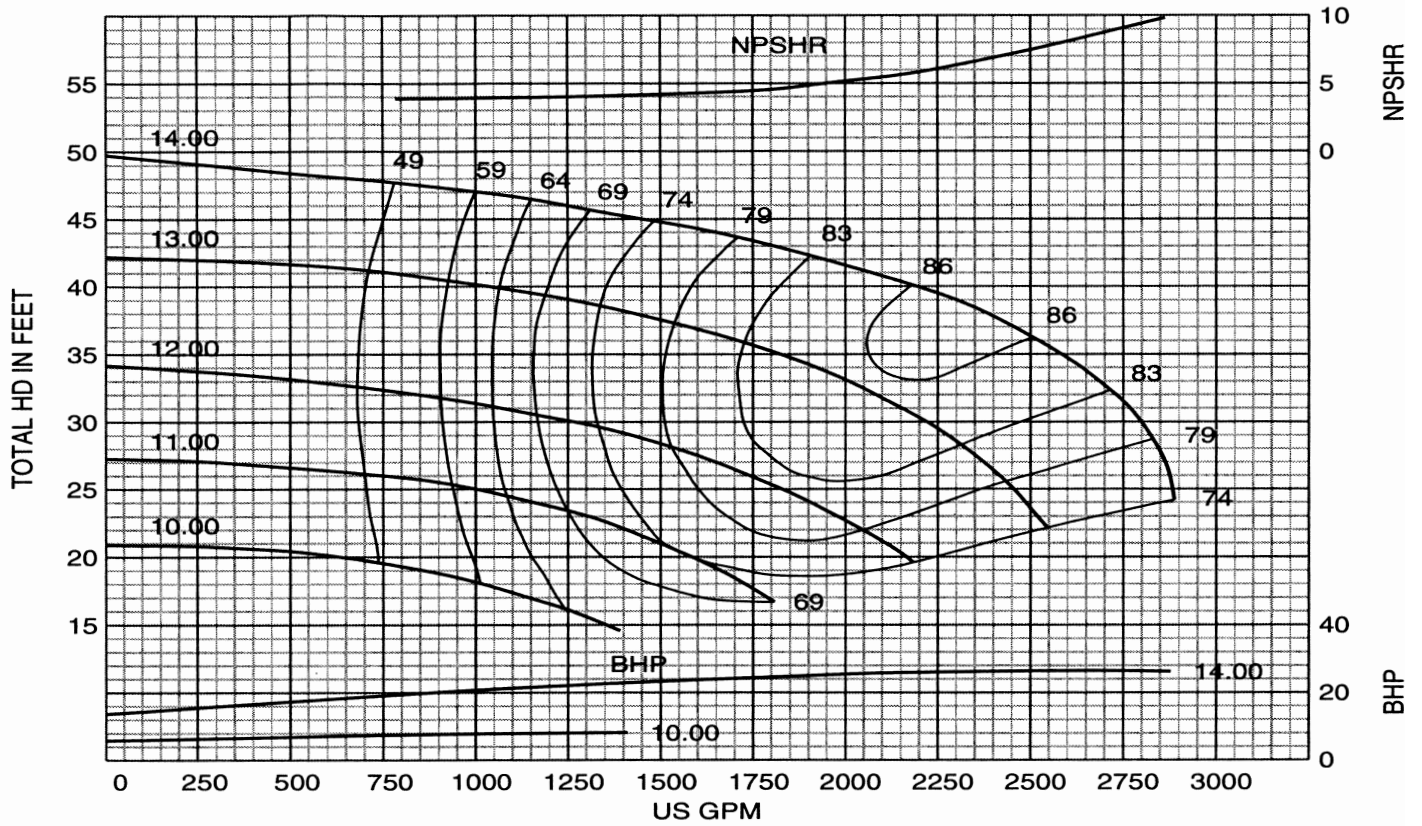
IMPELLER: D20H1A SUCTION: 24" INLET: 360 in²



Performance Curve – 10" 5821

IMPELLER: D10C1A SUCTION: 12" INLET: 84.4 in²

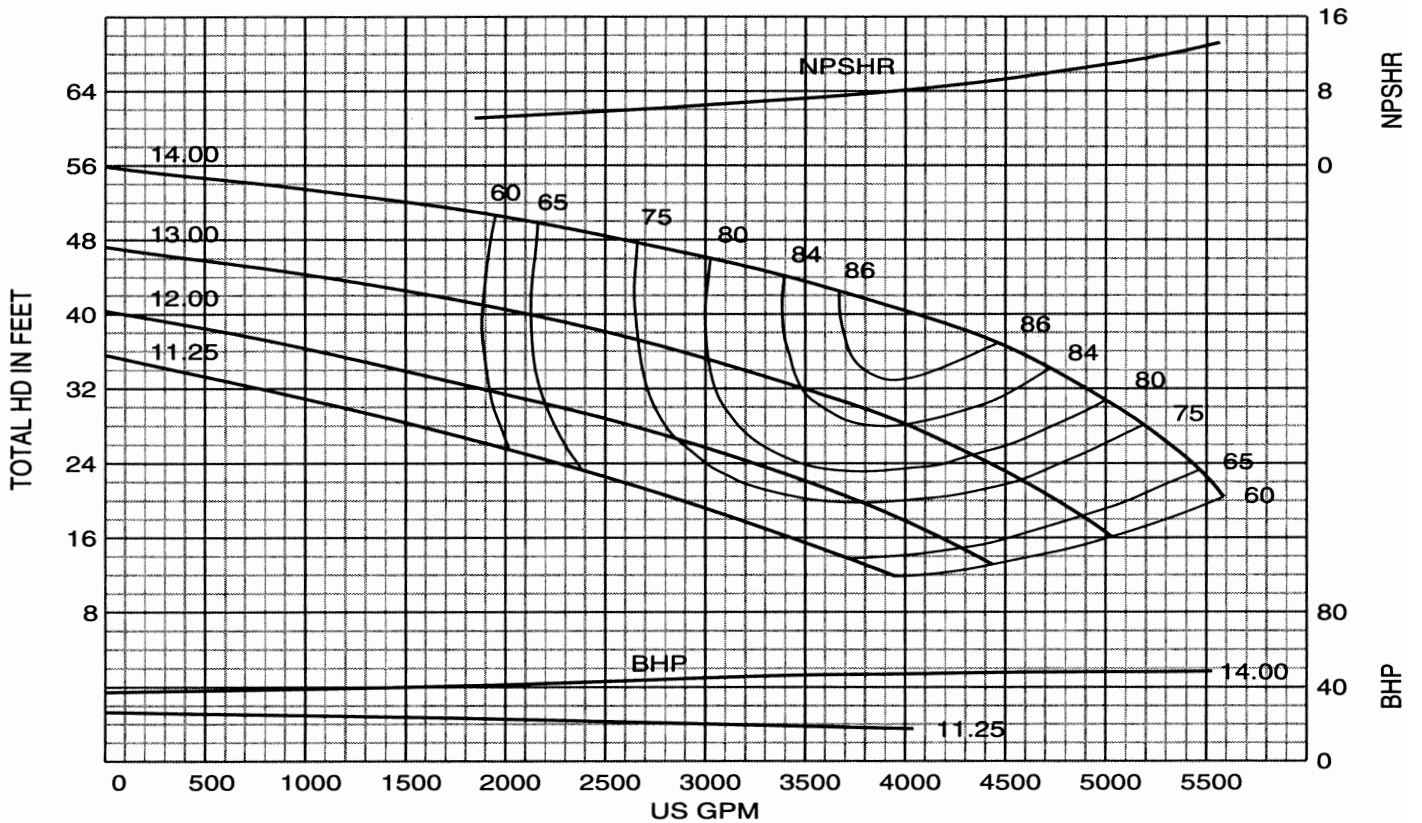
RPM: 880 SOLIDS: 1-1/8"



Performance Curve – 12" 5821

IMPELLER: D12C1B SUCTION: 14" INLET: 143.0 in²

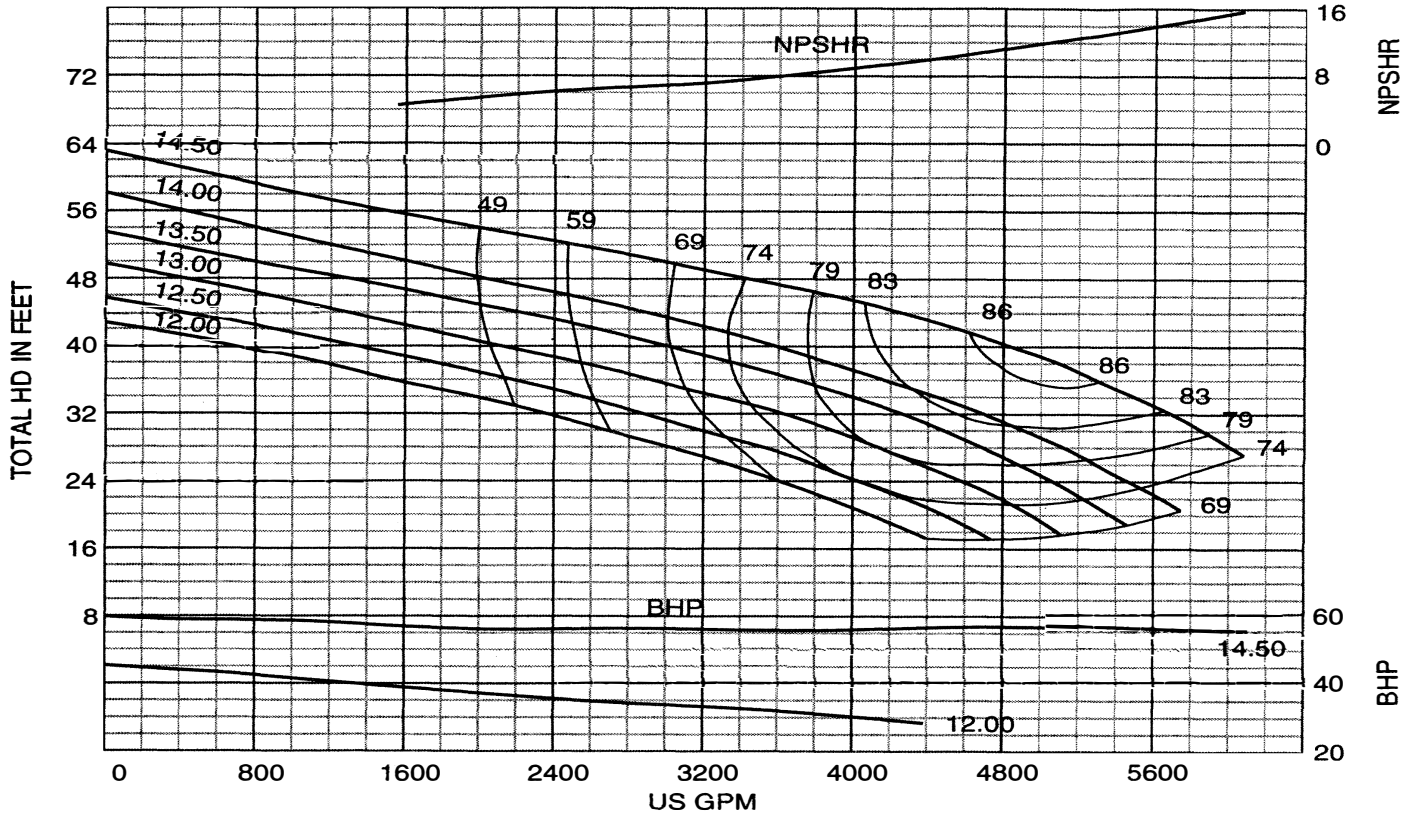
RPM: 885 SOLIDS: 1-1/4"



Performance Curve - 14" 5821

IMPELLER: D14C1A SUCTION: 16" INLET: 142.0 in²

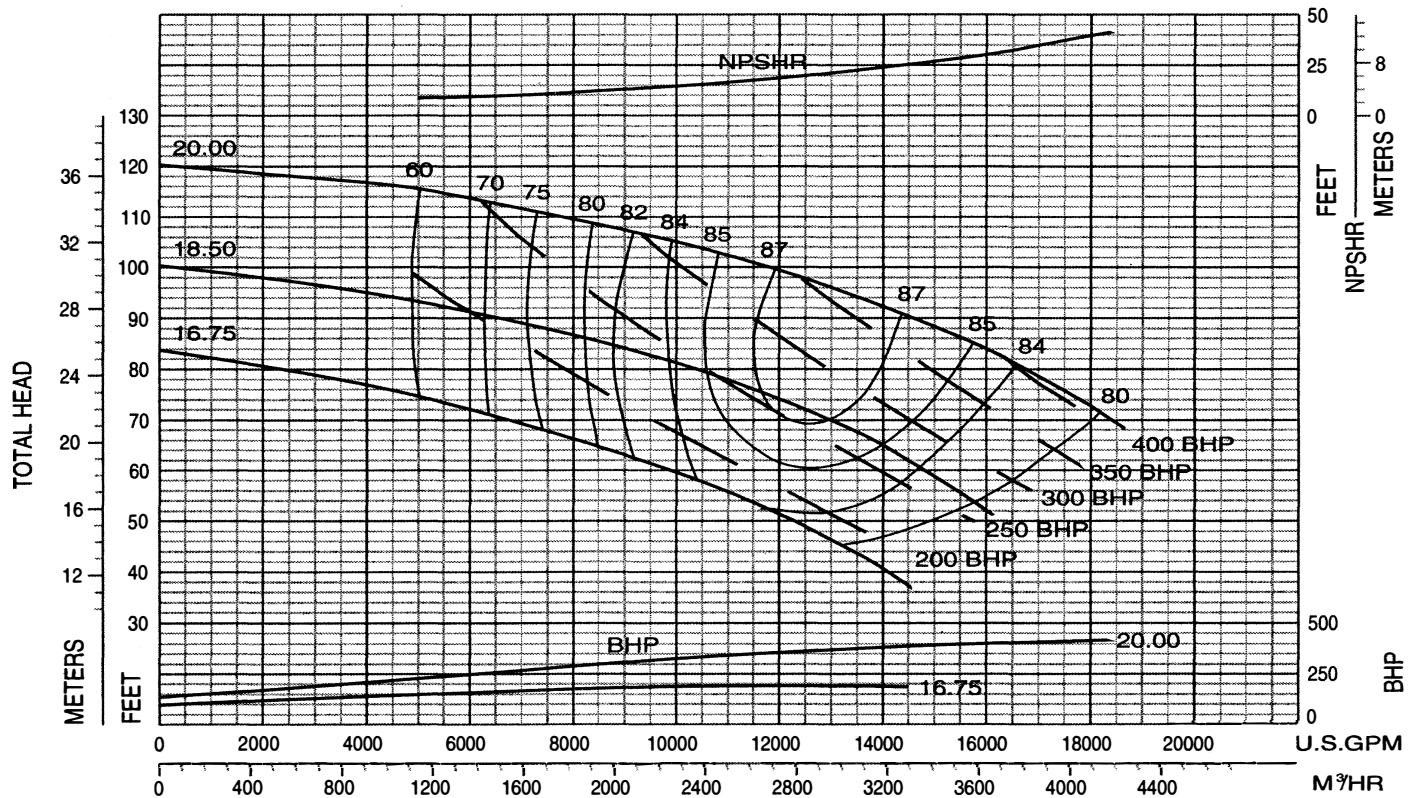
RPM: 885 SOLIDS: 1-1/4"



Performance Curve - 20" 5821

IMPELLER: D20C1A SUCTION: 20" INLET: 245.7 in²

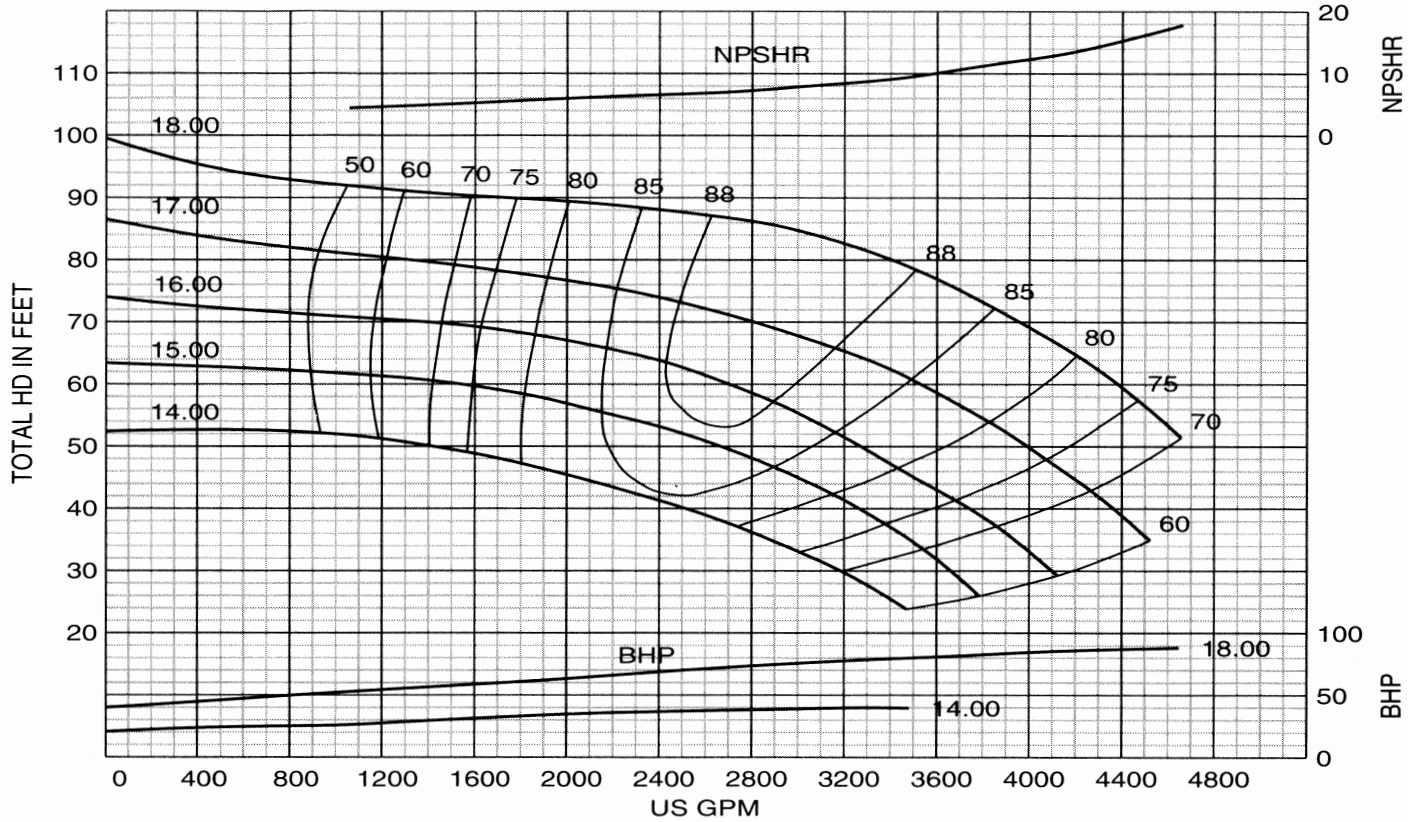
RPM: 890 SOLIDS: 1-1/2"



Performance Curve – 12" 5822

RPM: **885** SOLIDS: **1"**

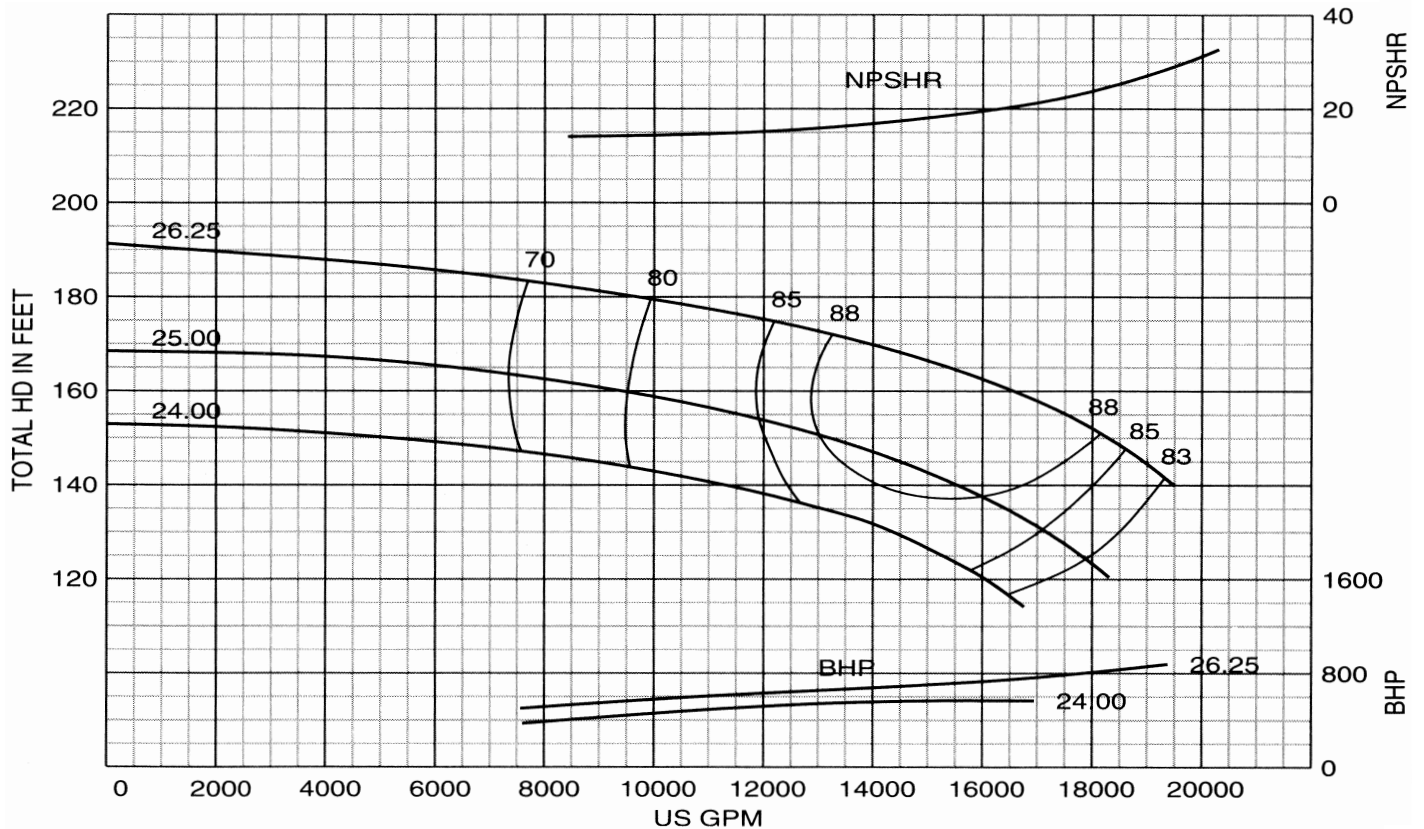
IMPELLER: **D12B1A** SUCTION: **14"** INLET: **107.0 in²**



Performance Curve – 20" 5822

RPM: **890** SOLIDS: **3/4"**

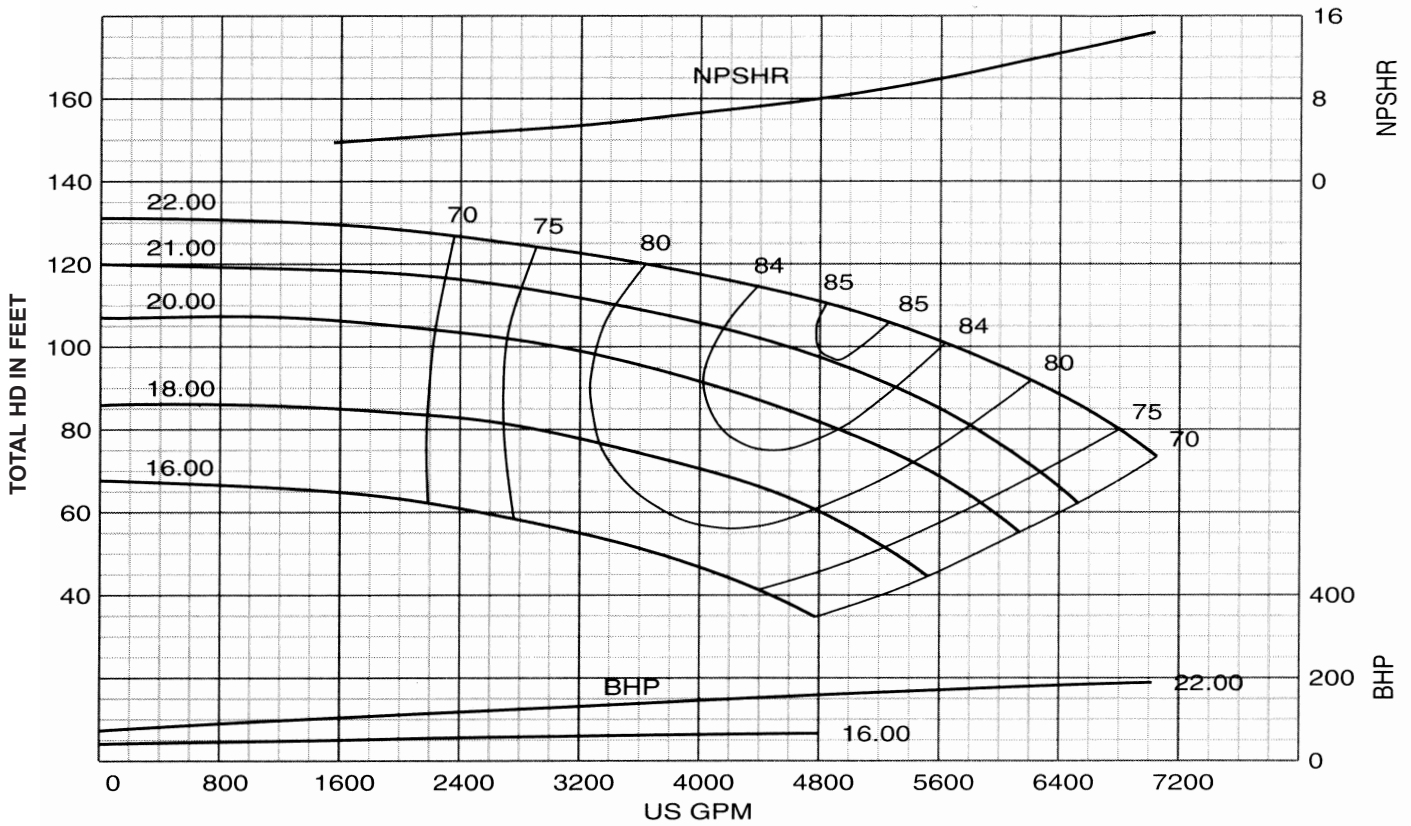
IMPELLER: **D20B1A** SUCTION: **24"** INLET: **362.85 in²**



Performance Curve - 12" 5823

IMPELLER: D12A1A SUCTION: 14" INLET: 149.0 in²

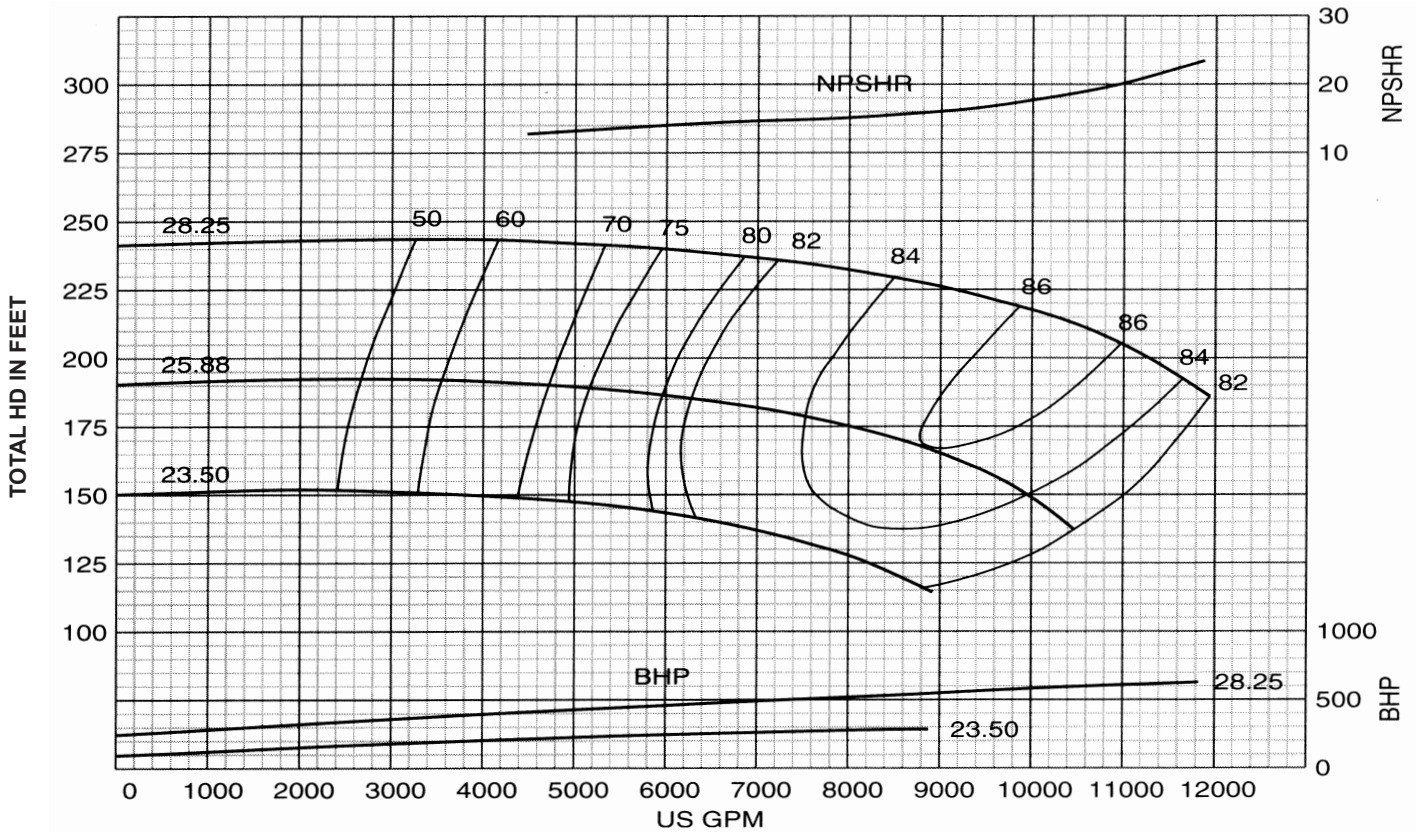
RPM: 890 SOLIDS: 1-1/2"



Performance Curve - 16" 5823

IMPELLER: M16A1A SUCTION: 20" INLET: 192.6 in²

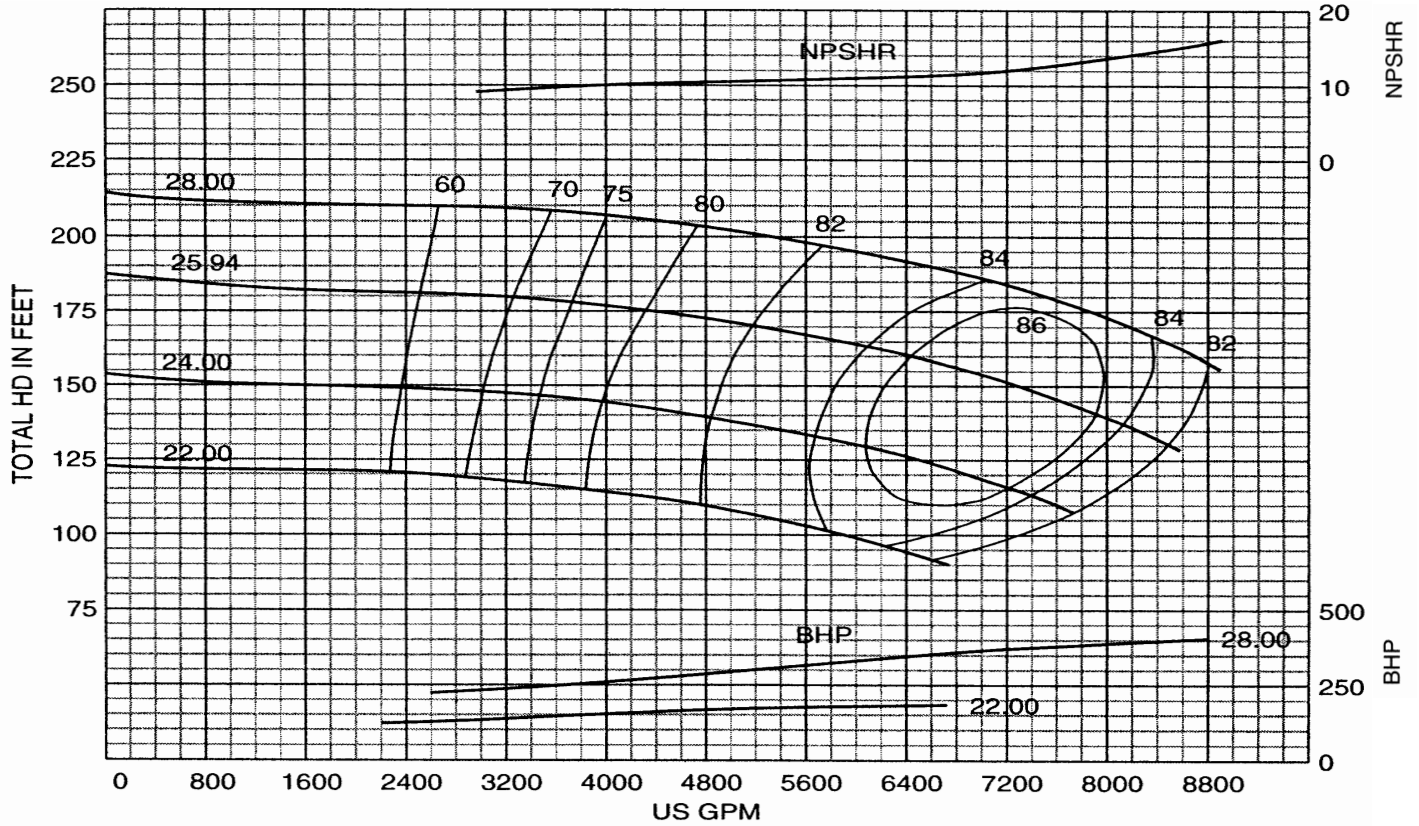
RPM: 890 SOLIDS: 1-3/4"



Performance Curve – 16" 5823

IMPELLER: M16A1C SUCTION: 20" INLET: 207.54 in²

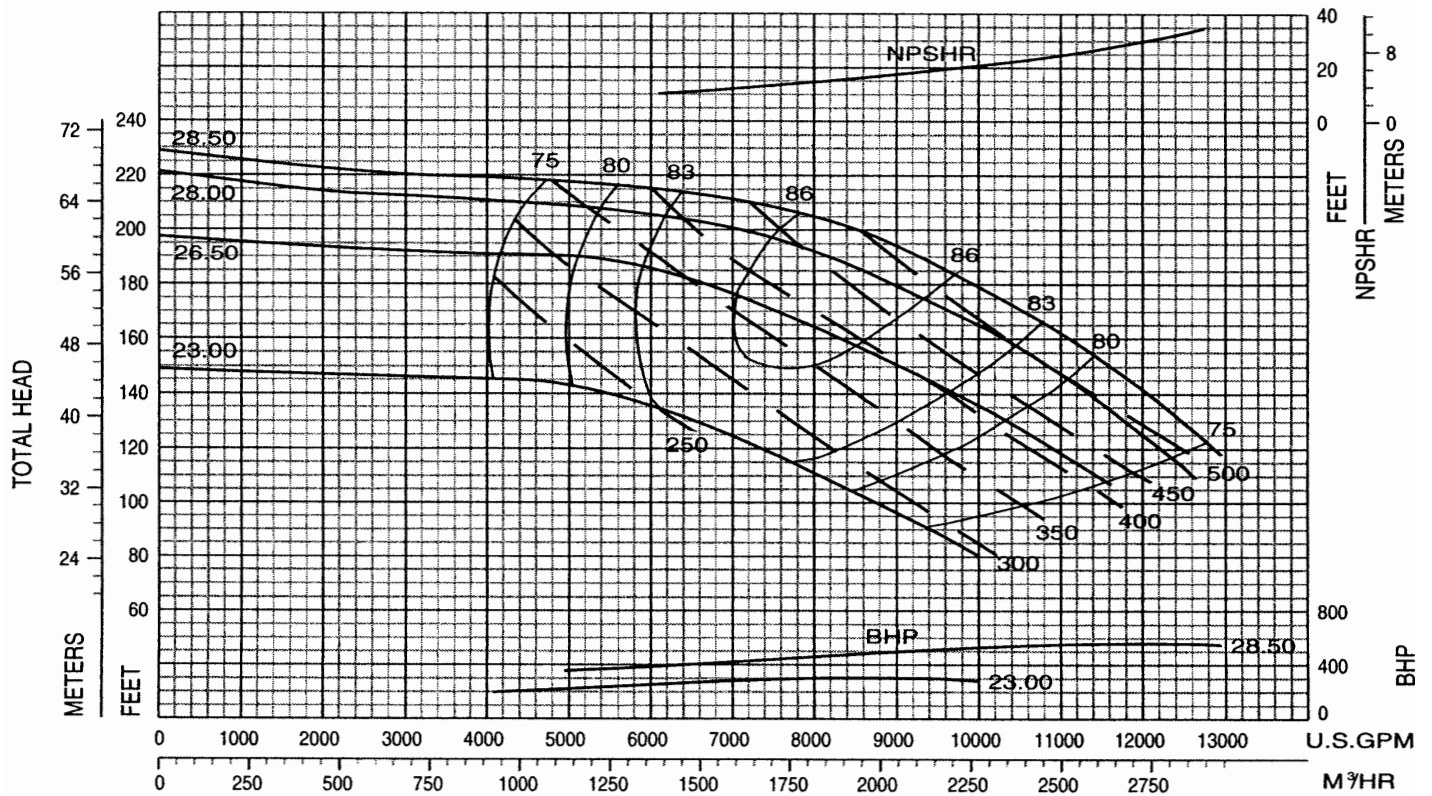
RPM: 890 SOLIDS: 7/8"



Performance Curve – 16" 5823

IMPELLER: M16A1L SUCTION: 20" INLET: 208 in²

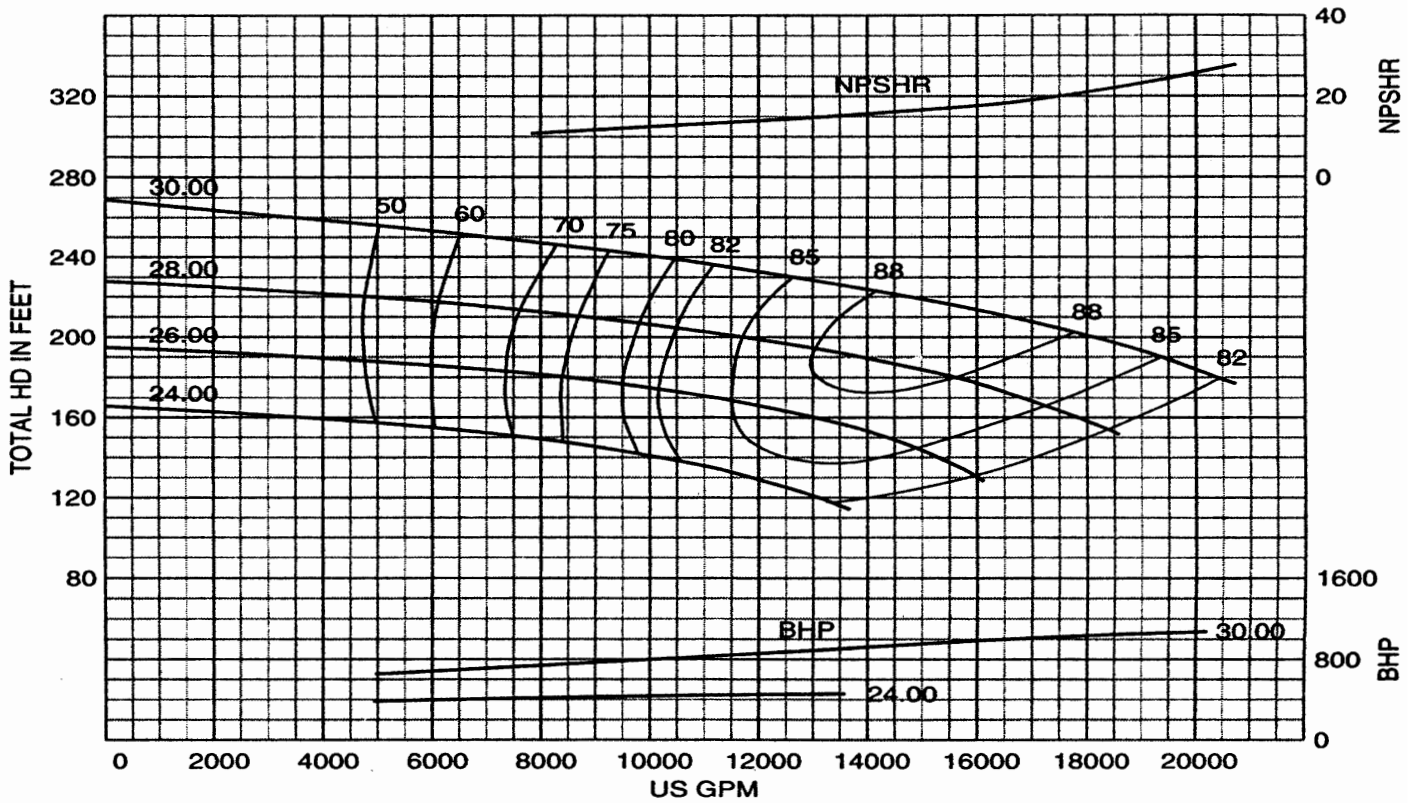
RPM: 890 SOLIDS: 1"



Performance Curve - 20" 5823

IMPELLER: D20A1A SUCTION: 24" INLET: 317.77 in²

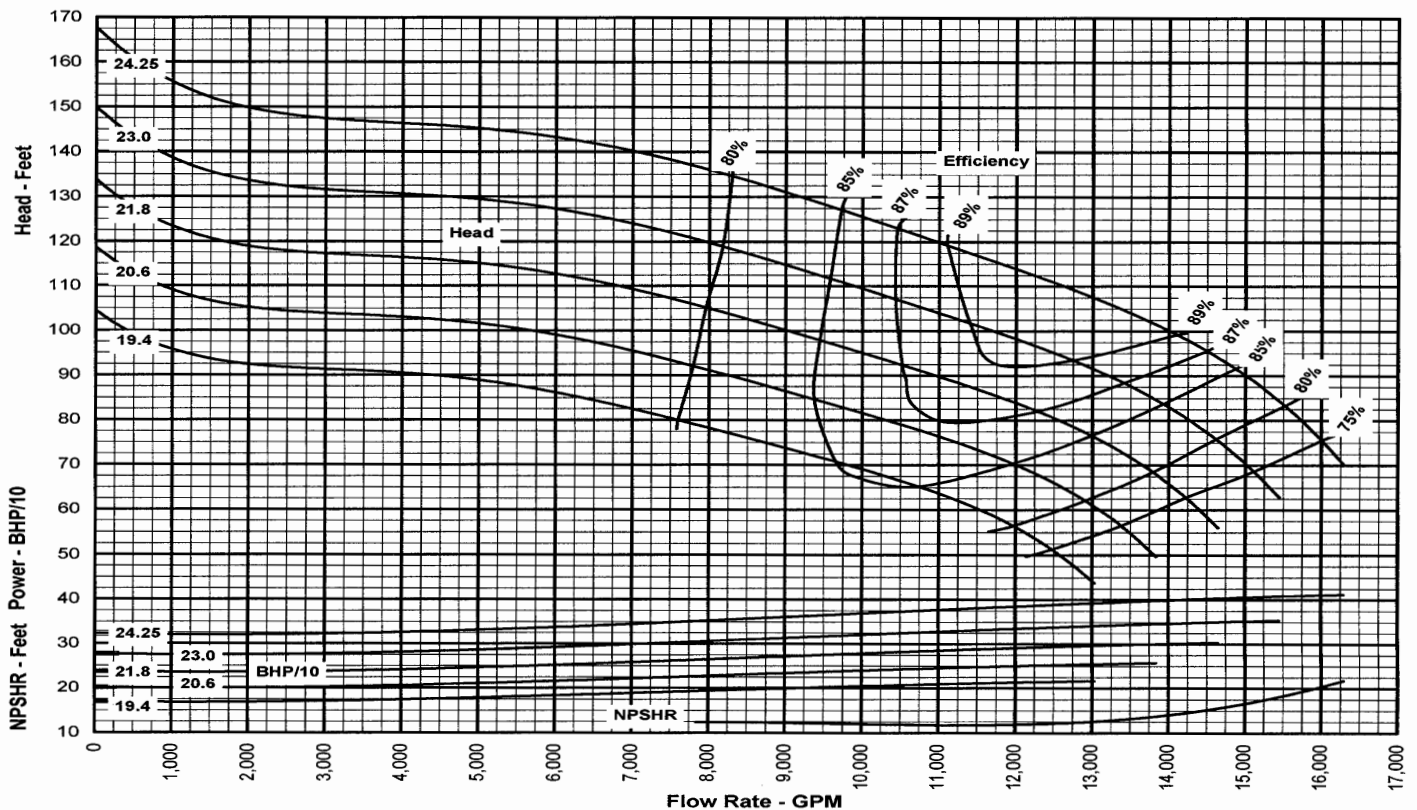
RPM: 890 SOLIDS: 2.25"



Performance Curve - 18" 5823

IMPELLER: D18A1B SUCTION: 24" INLET: 330.0 in²

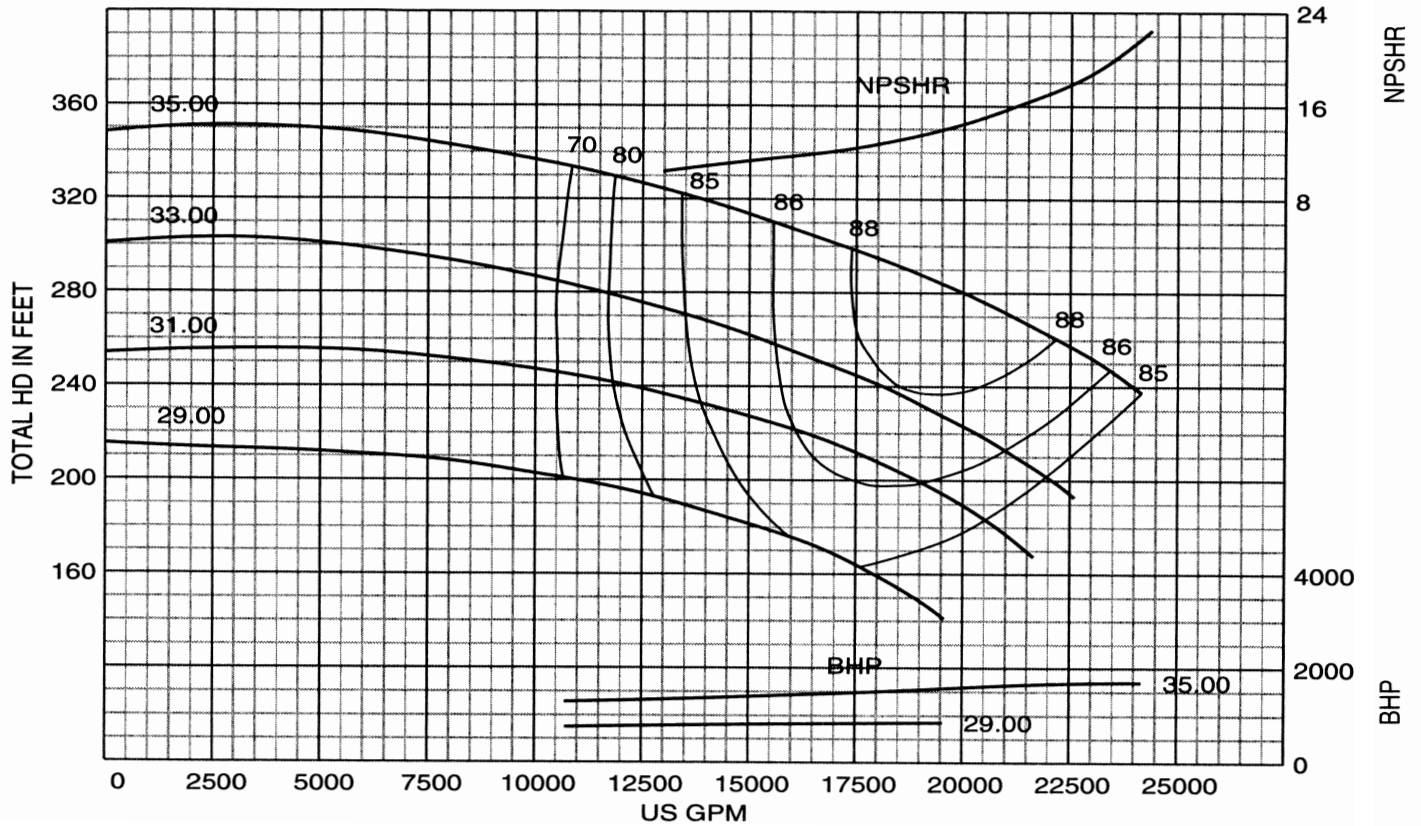
RPM: 890 SOLIDS: 1.7"



Performance Curve - 20" 5824

RPM: 890 SOLIDS: 2-1/4"

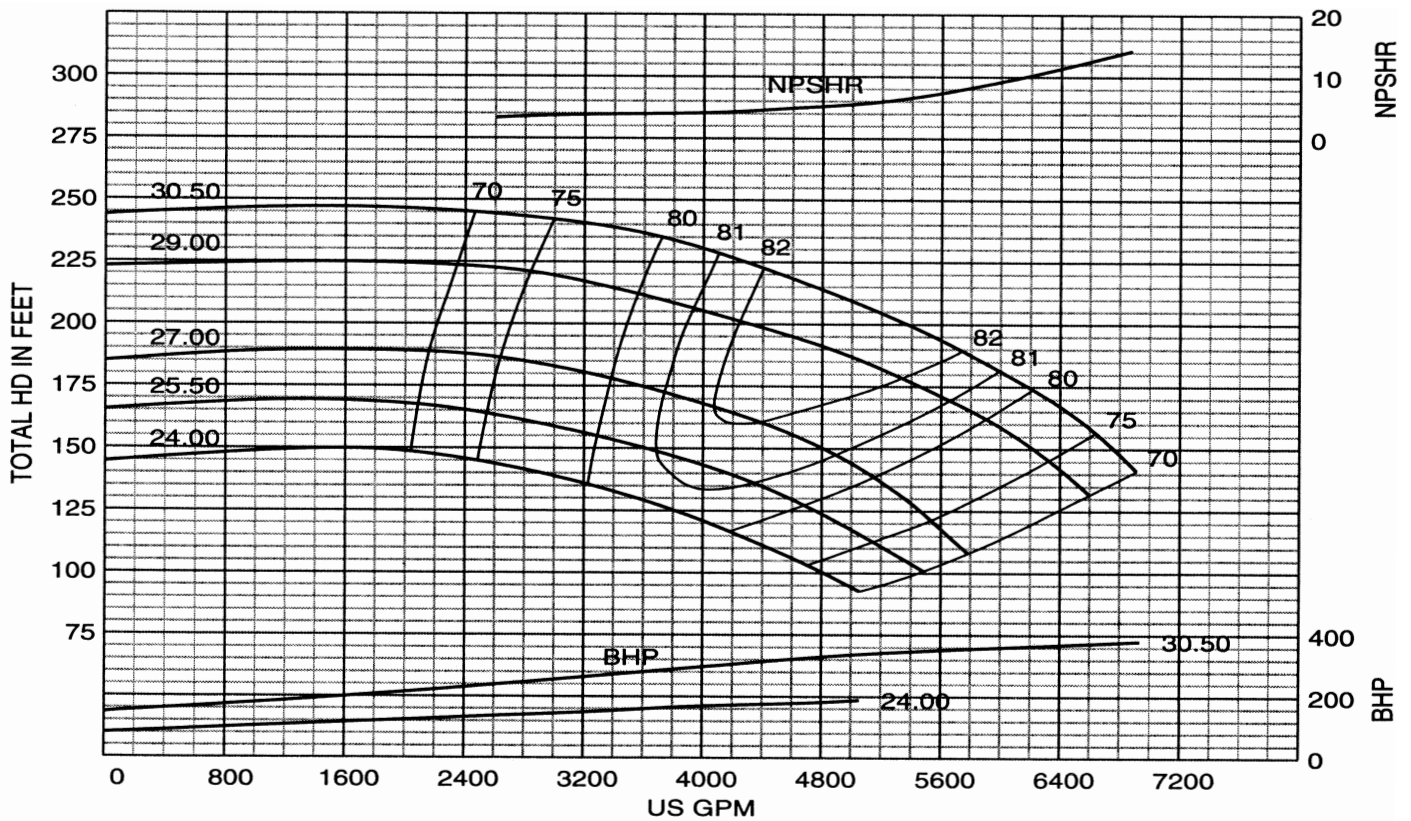
IMPELLER: D20D1A SUCTION: 30" INLET: 394.29 in²



Performance Curve - 10" 5825

RPM: 890 SOLIDS: 1-7/16"

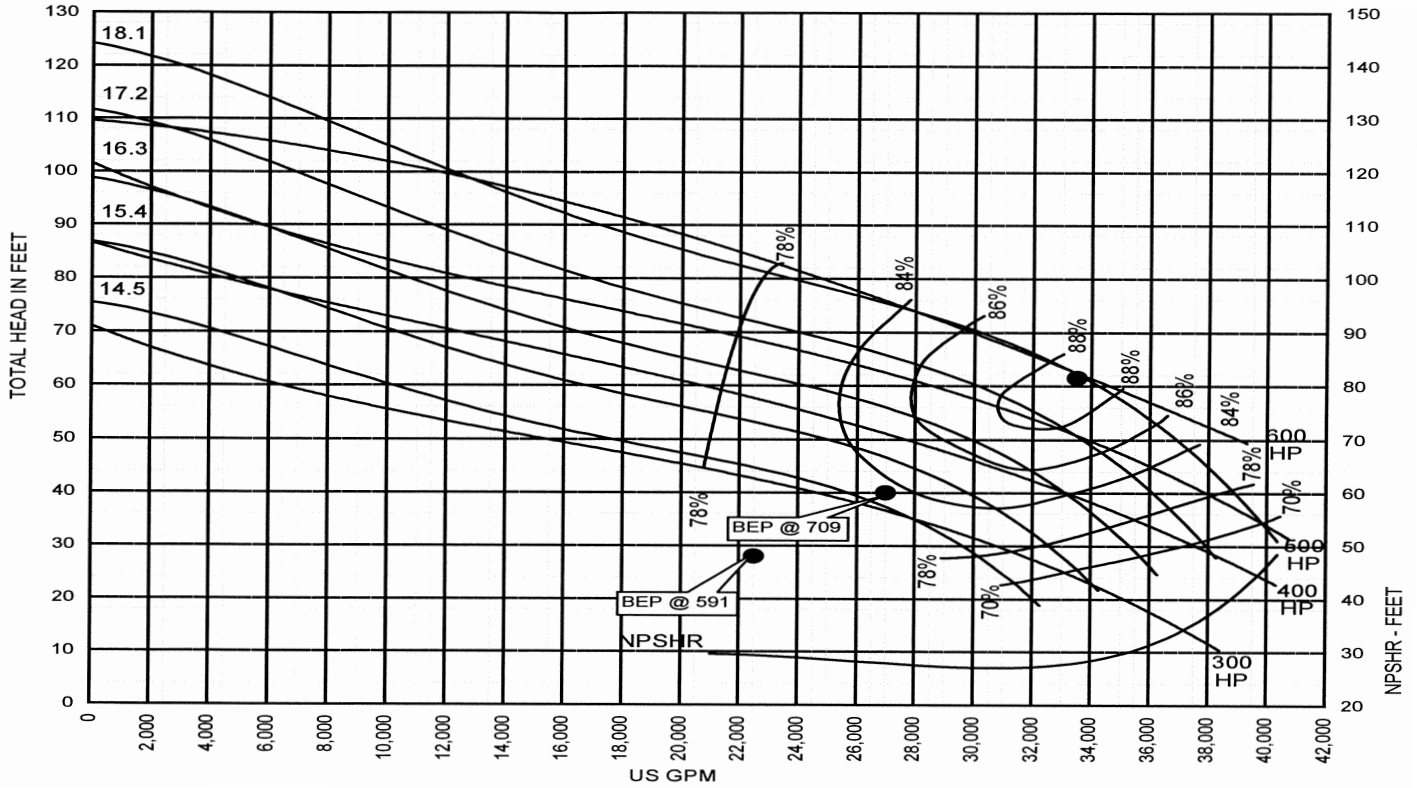
IMPELLER: D10E1A SUCTION: 14" INLET: 151.0 in²



Performance Curve - 24" 5823A

RPM: **885** SOLIDS: **2.1"**

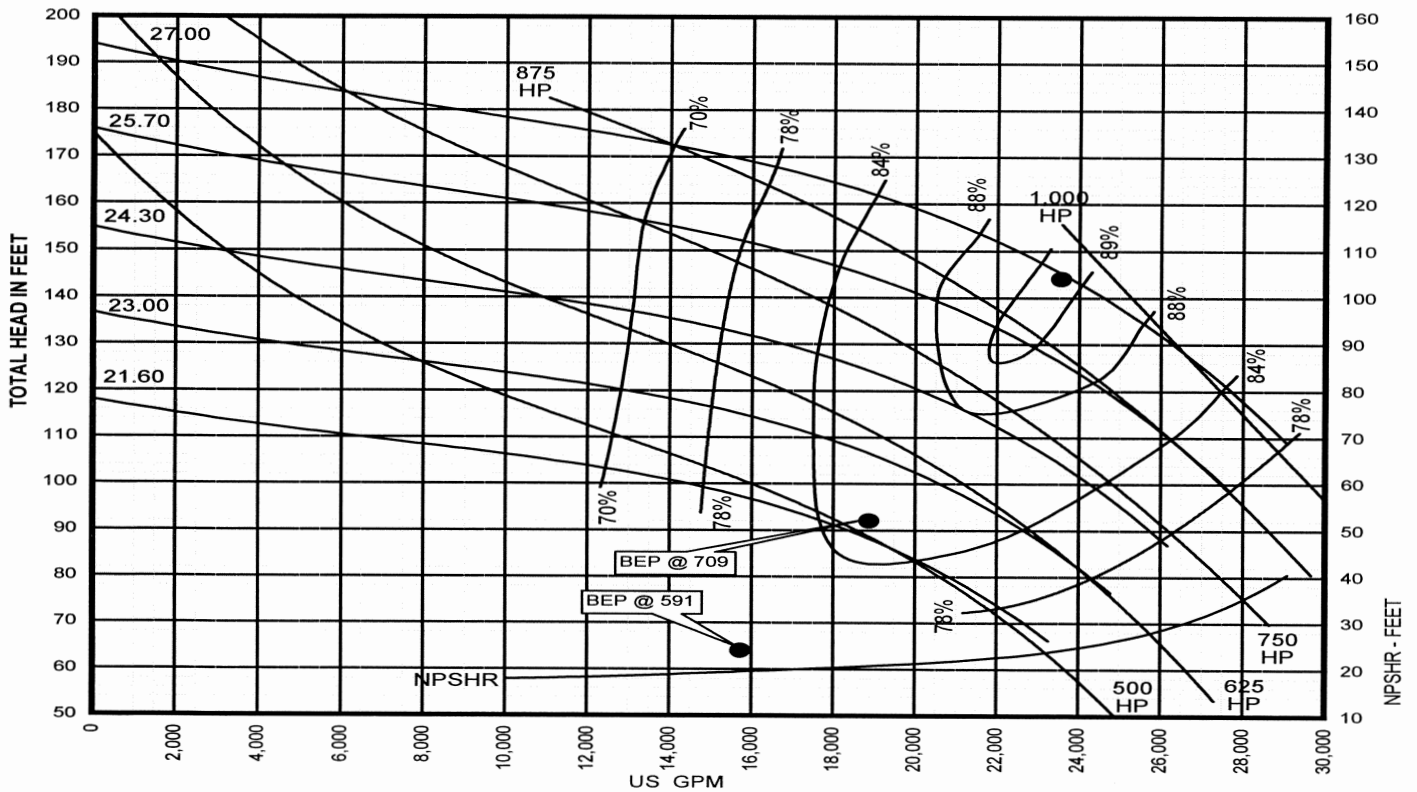
IMPELLER: **D24L1A** SUCTION: **30"** INLET: **503 in²**



Performance Curve - 20" 5825A

RPM: **885** SOLIDS: **1.8"**

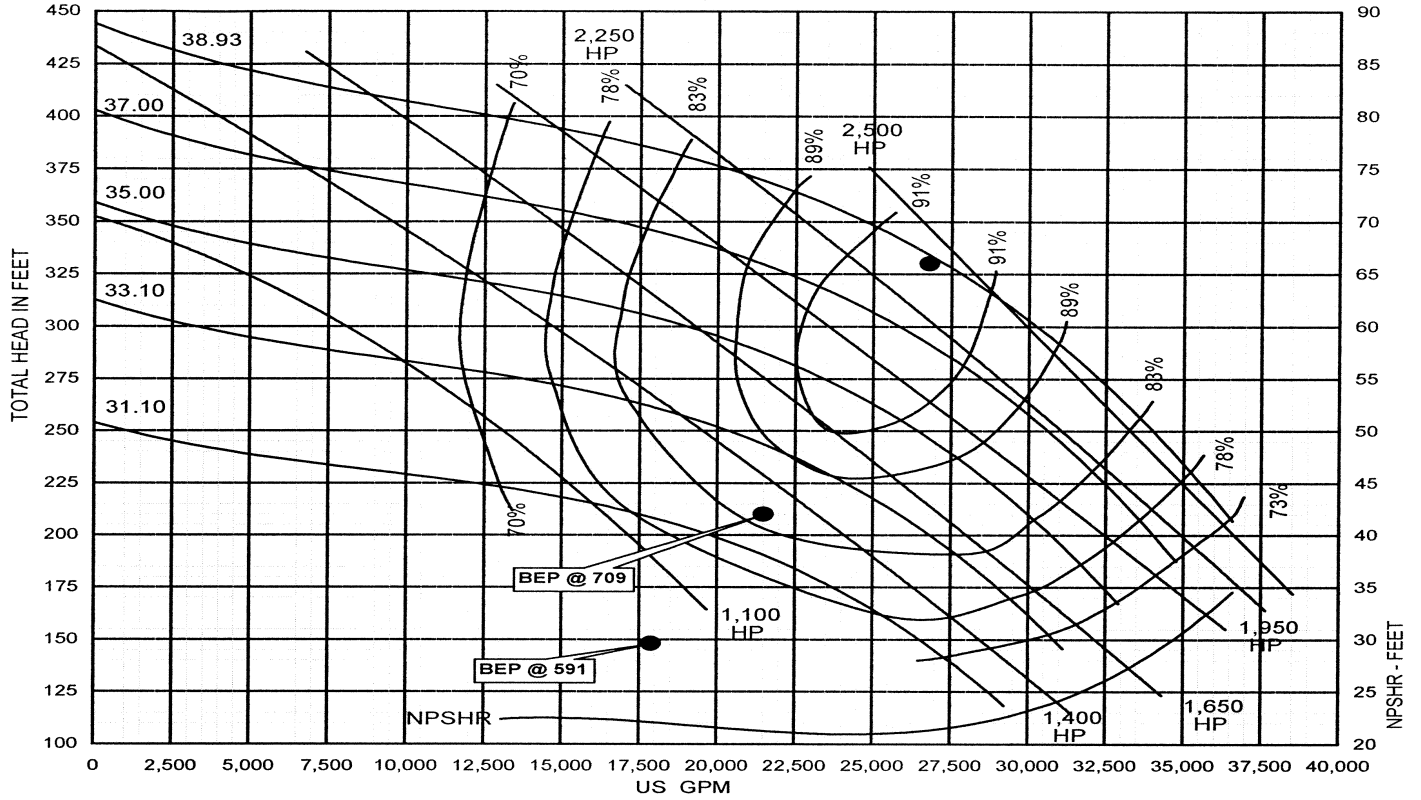
IMPELLER: **D20M1A** SUCTION: **30"** INLET: **550 in²**



Performance Curve - 24" 5826A

RPM: 885 SOLIDS: 3.8"

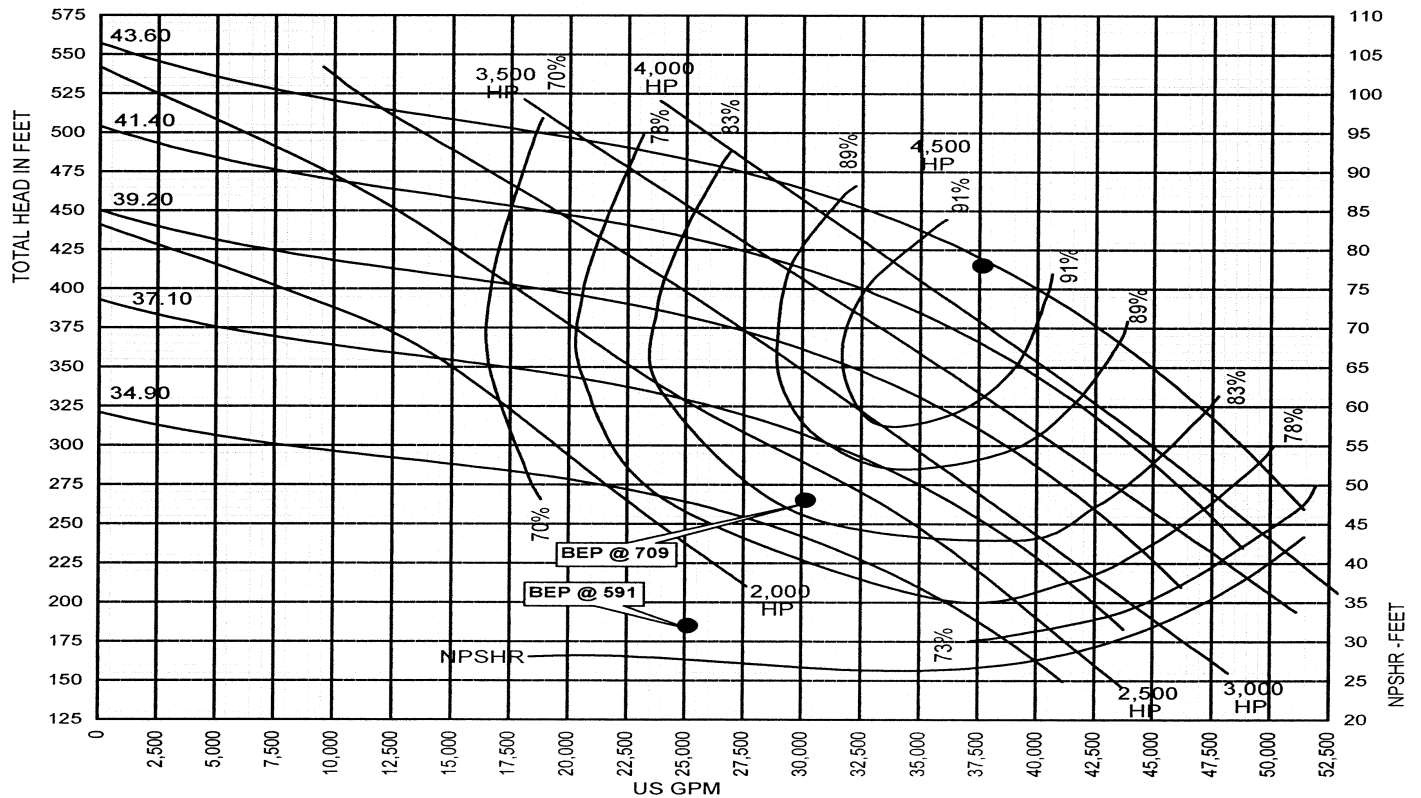
IMPELLER: D24H1A SUCTION: 30" INLET: 563 in²



Performance Curve - 30" 5826A

RPM: 885 SOLIDS: 4.2"

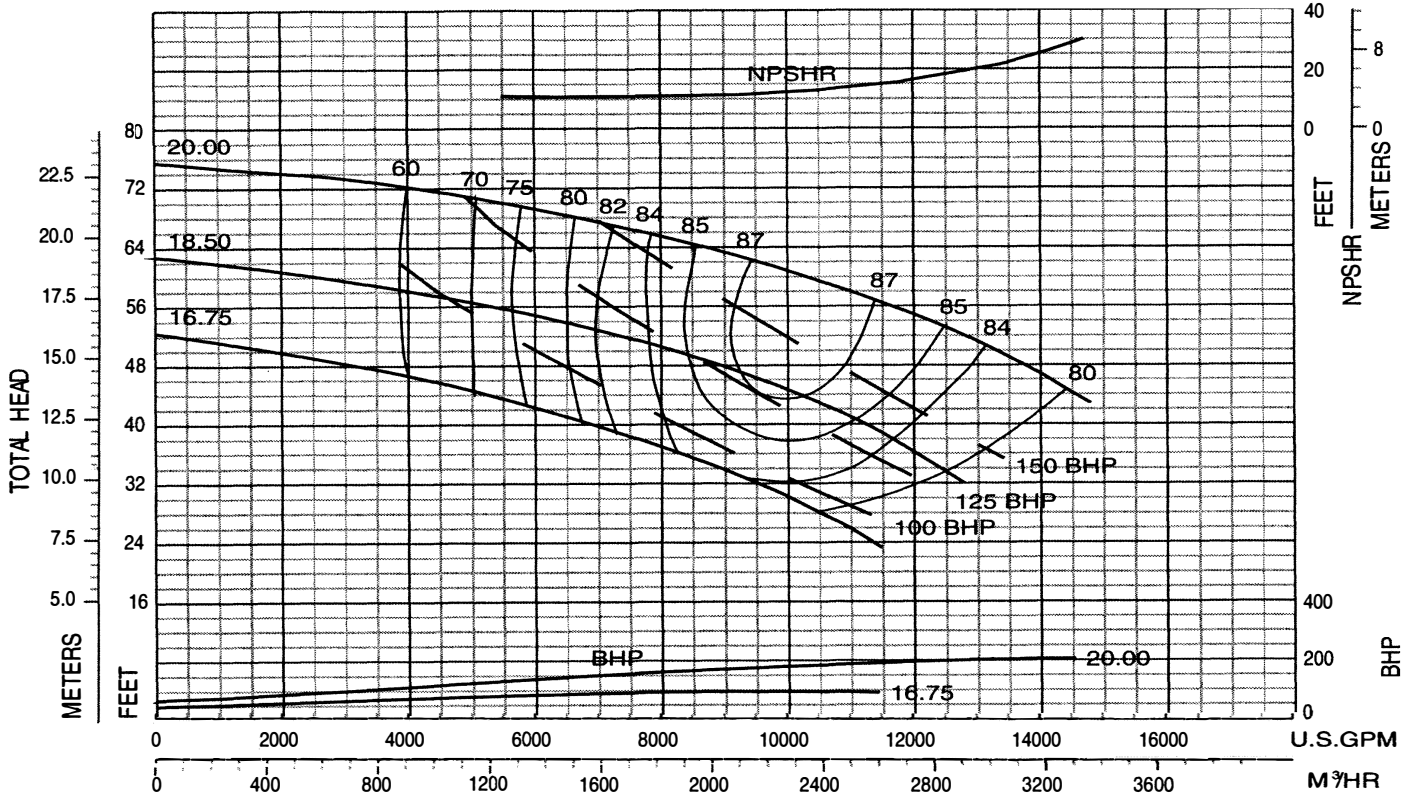
IMPELLER: D30H1A SUCTION: 36" INLET: 706 in²



Performance Curve - 20" 5821

RPM: 705 SOLIDS: 1-1/2"

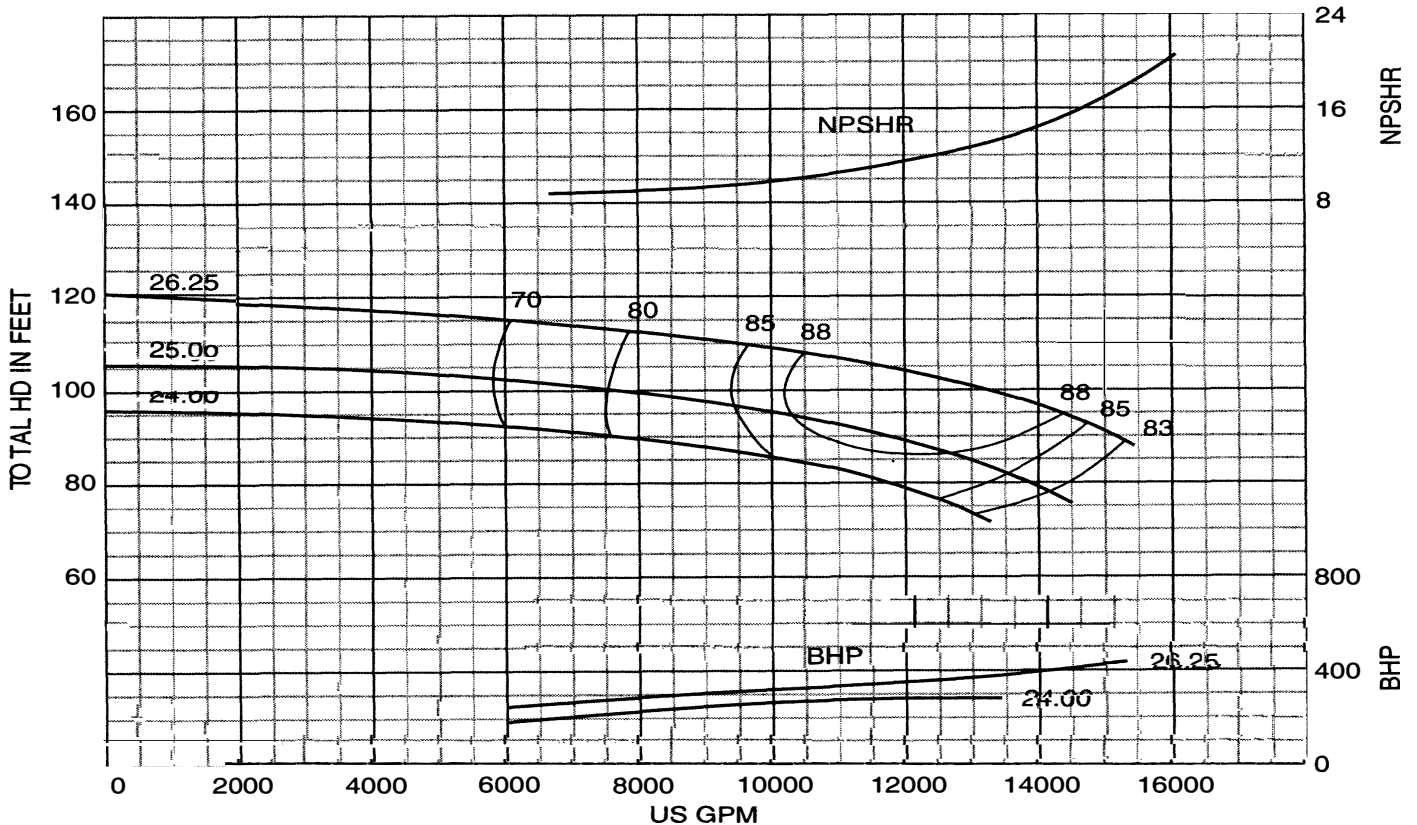
IMPELLER: D20C1A SUCTION: 20" INLET: 245.7 in²



Performance Curve - 20" 5822

RPM: 705 SOLIDS: 3/4"

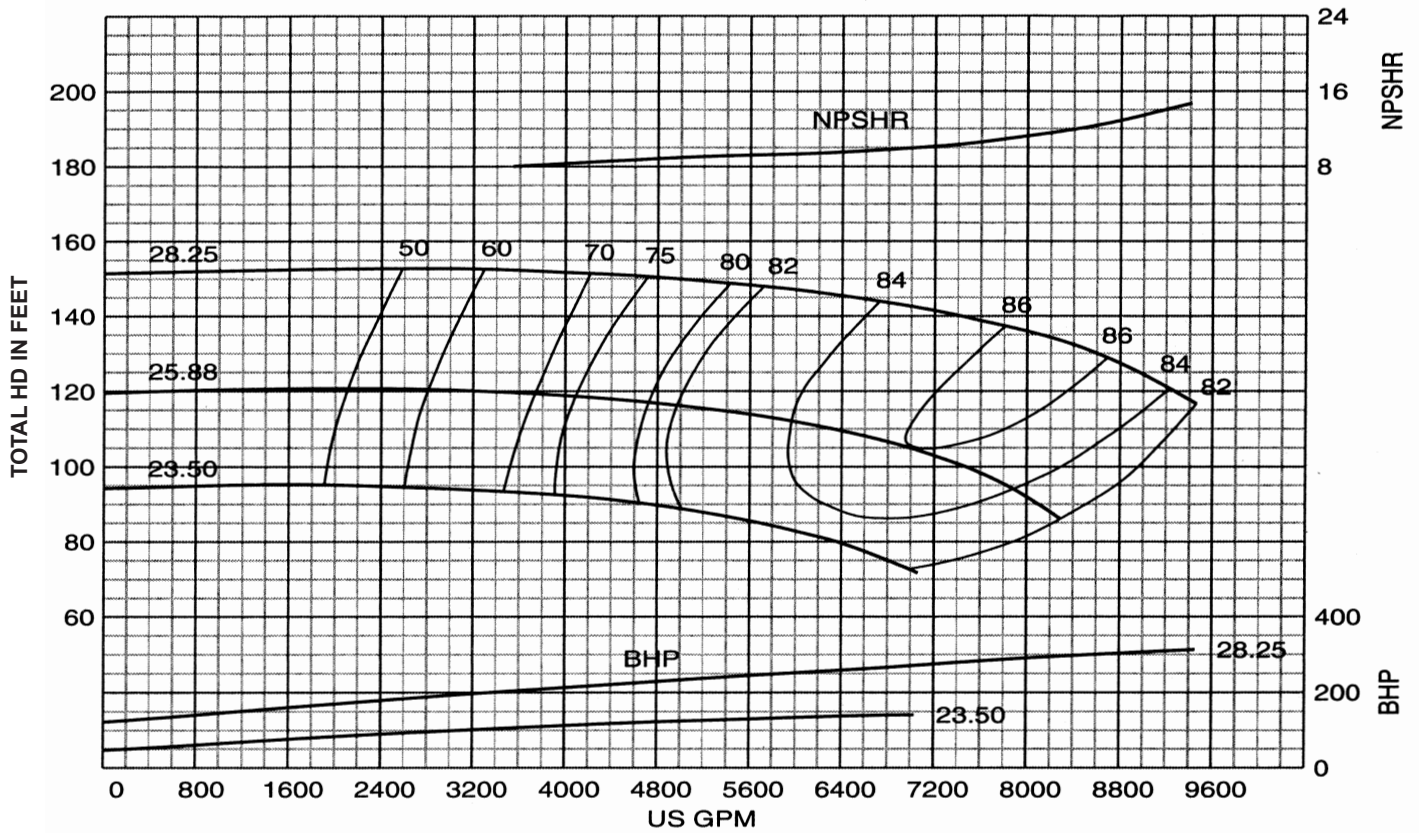
IMPELLER: D20B1A SUCTION: 24" INLET: 362.85 in²



Performance Curve – 16" 5823

IMPELLER: M16A1A SUCTION: 20" INLET: 192.6 in²

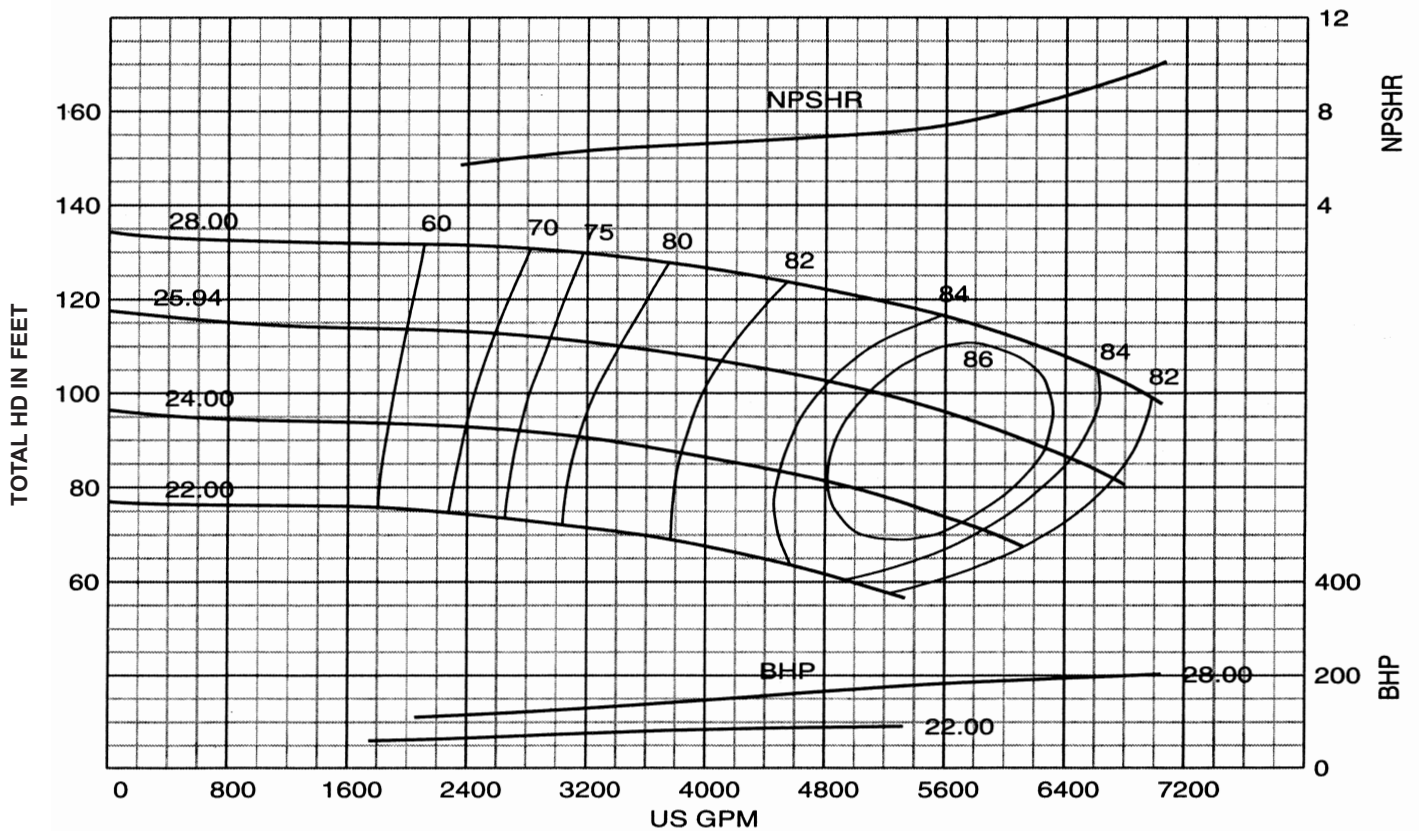
RPM: 705 SOLIDS: 1-3/4"



Performance Curve – 16" 5823

IMPELLER: M16A1C SUCTION: 20" INLET: 207.54 in²

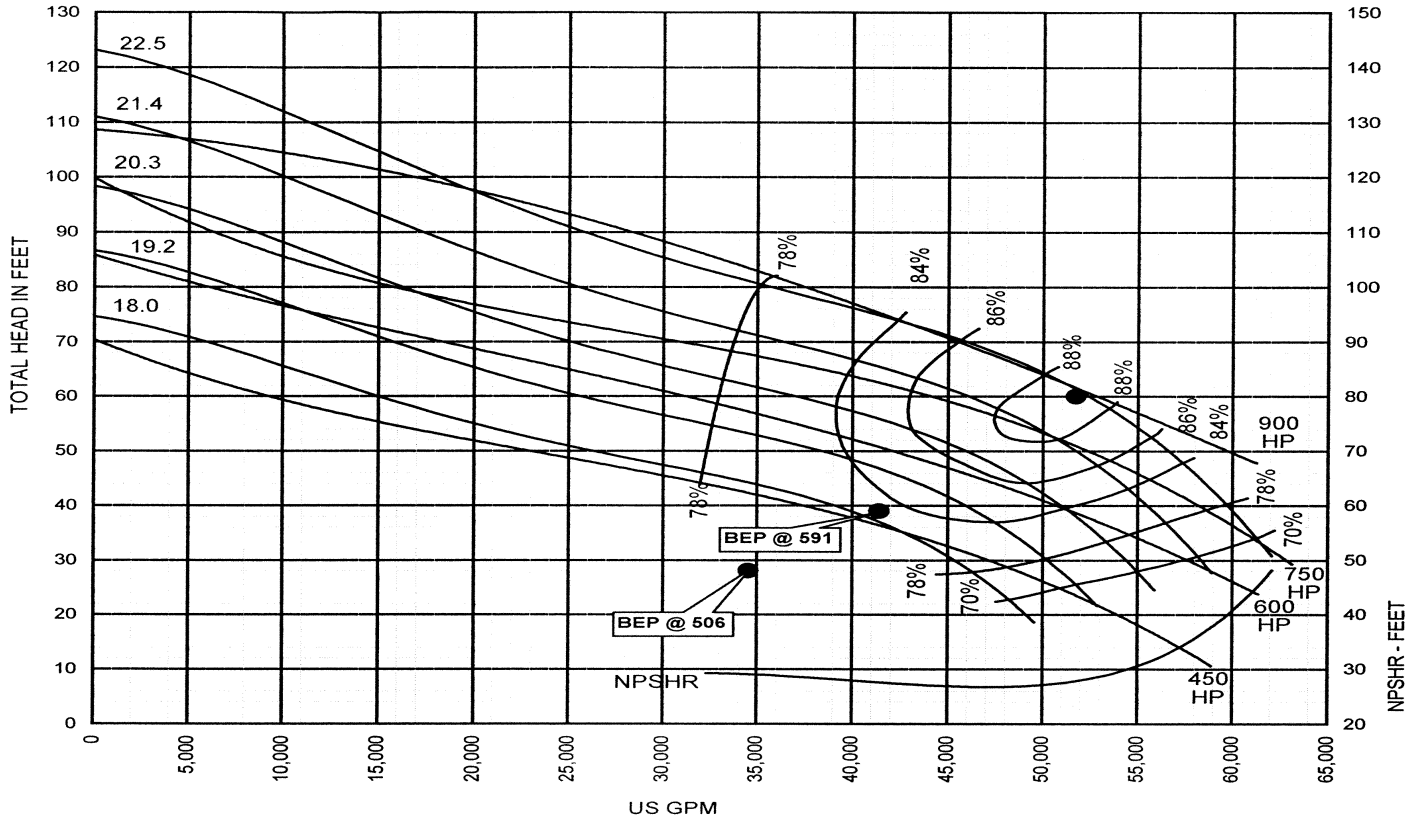
RPM: 705 SOLIDS: 7/8"



Performance Curve - 30" 5822A

RPM: 709 SOLIDS: 2.5"

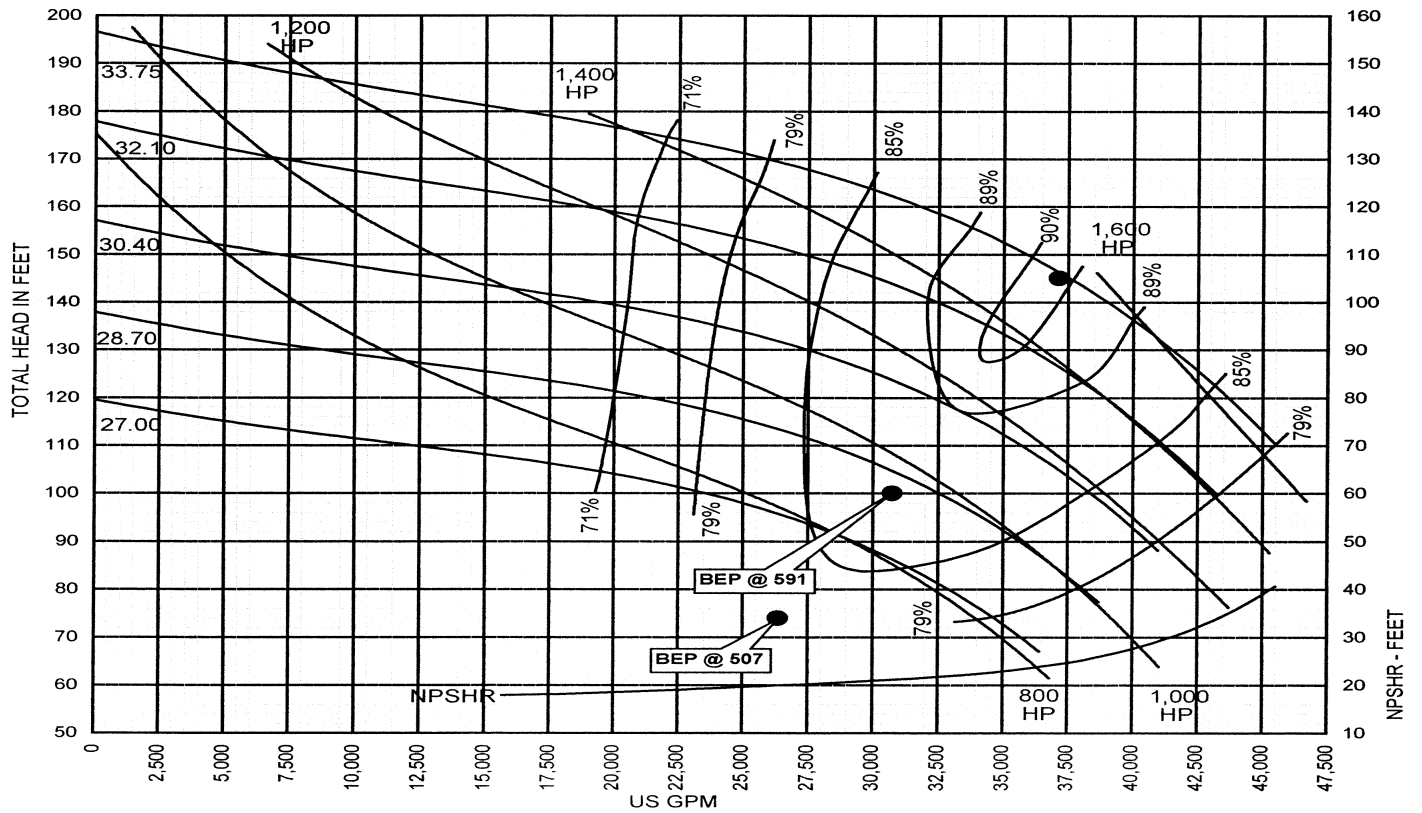
IMPELLER: D30L1A SUCTION: 36" INLET: 778 in²



Performance Curve - 24" 5825A

RPM: 709 SOLIDS: 2.3"

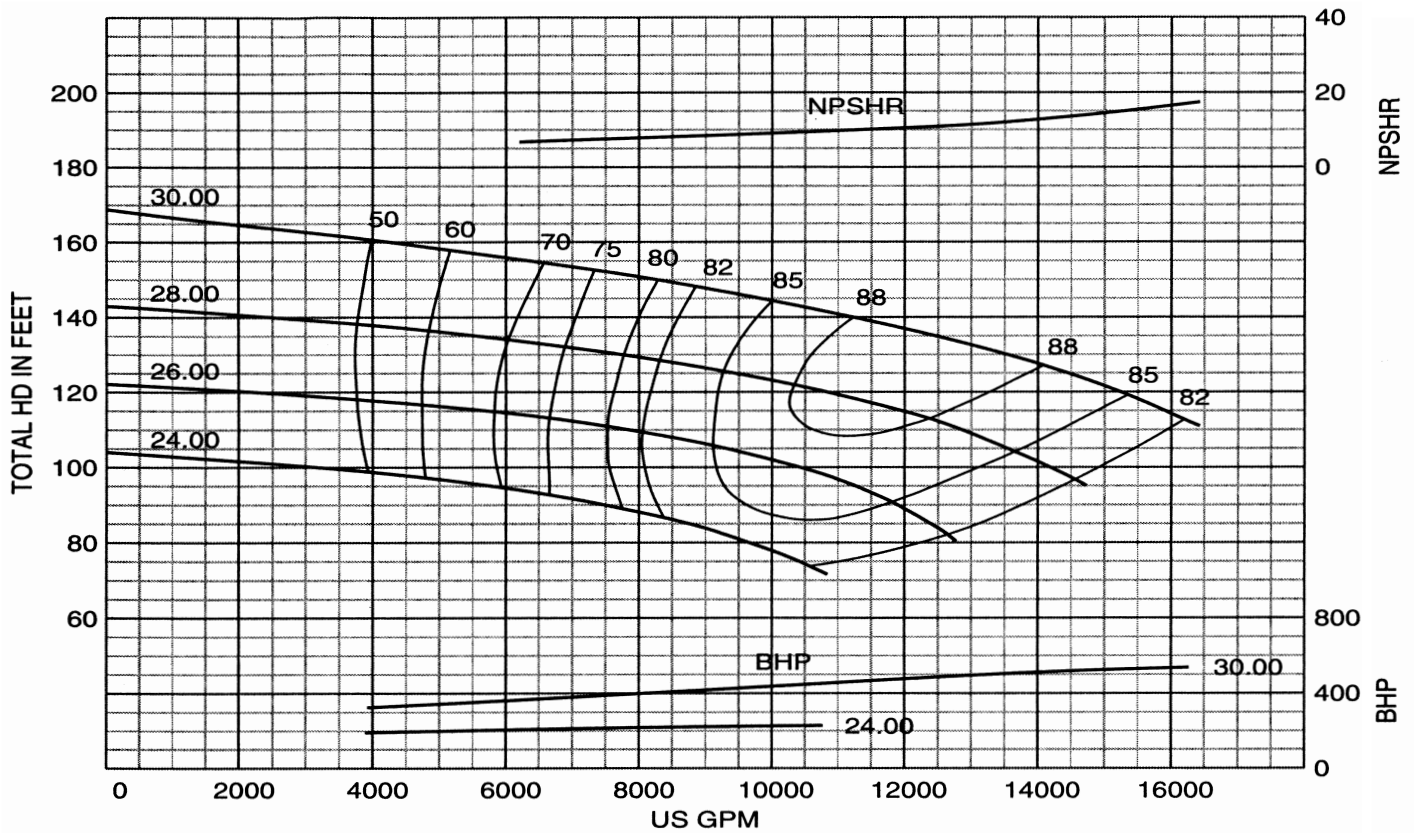
IMPELLER: D24M1A SUCTION: 36" INLET: 860 in²



Performance Curve – 20" 5823

IMPELLER: D20A1A SUCTION: 24" INLET: 317.77 in²

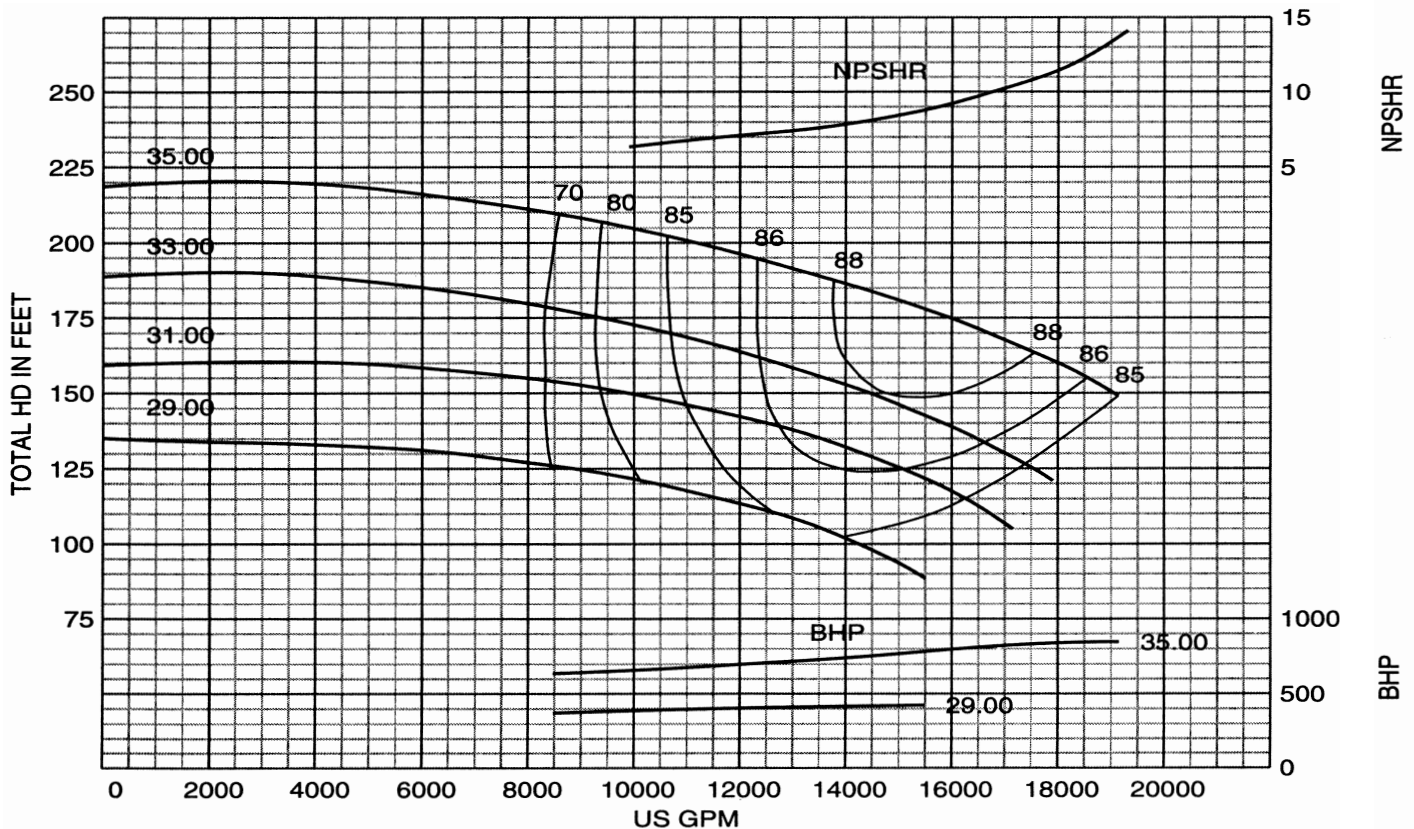
RPM: 705 SOLIDS: 2-1/4"



Performance Curve – 20" 5824

IMPELLER: D20D1A SUCTION: 30" INLET: 394.29 in²

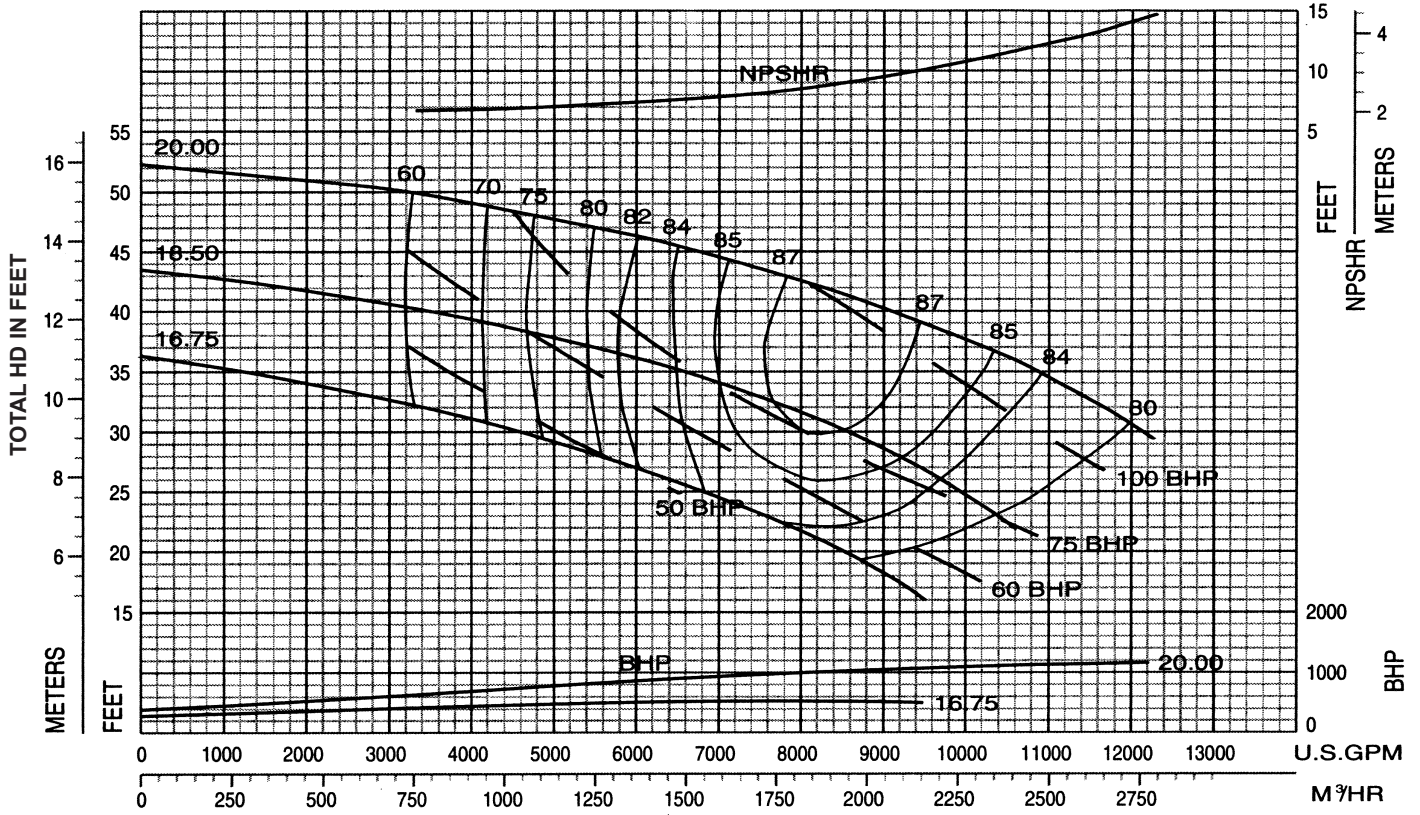
RPM: 705 SOLIDS: 2-1/4"



Performance Curve - 20" 5821

RPM: 585 SOLIDS: 1-1/2"

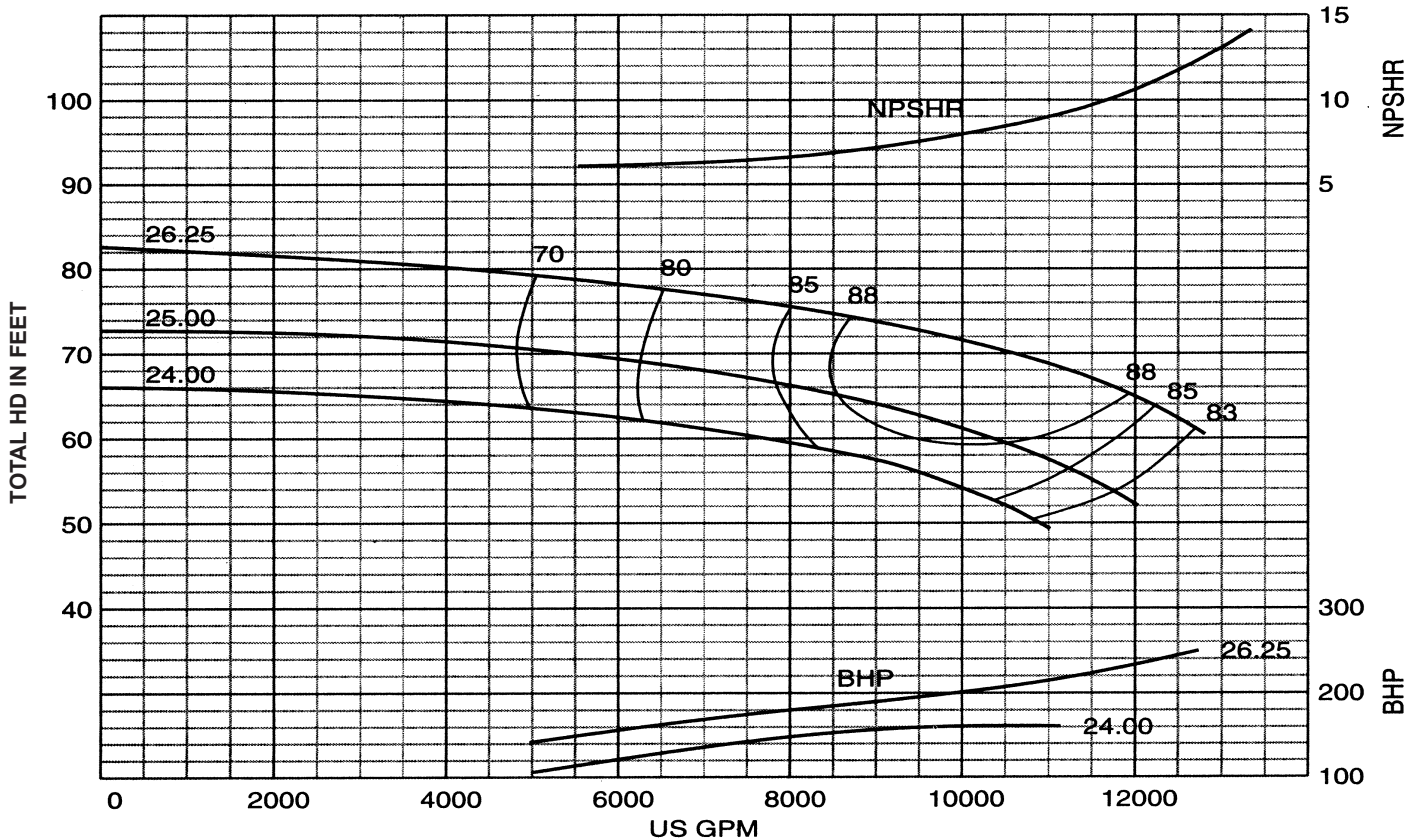
IMPELLER: D20C1A SUCTION: 20" INLET: 245.7 in²



Performance Curve - 20" 5822

RPM: 585 SOLIDS: 3/4"

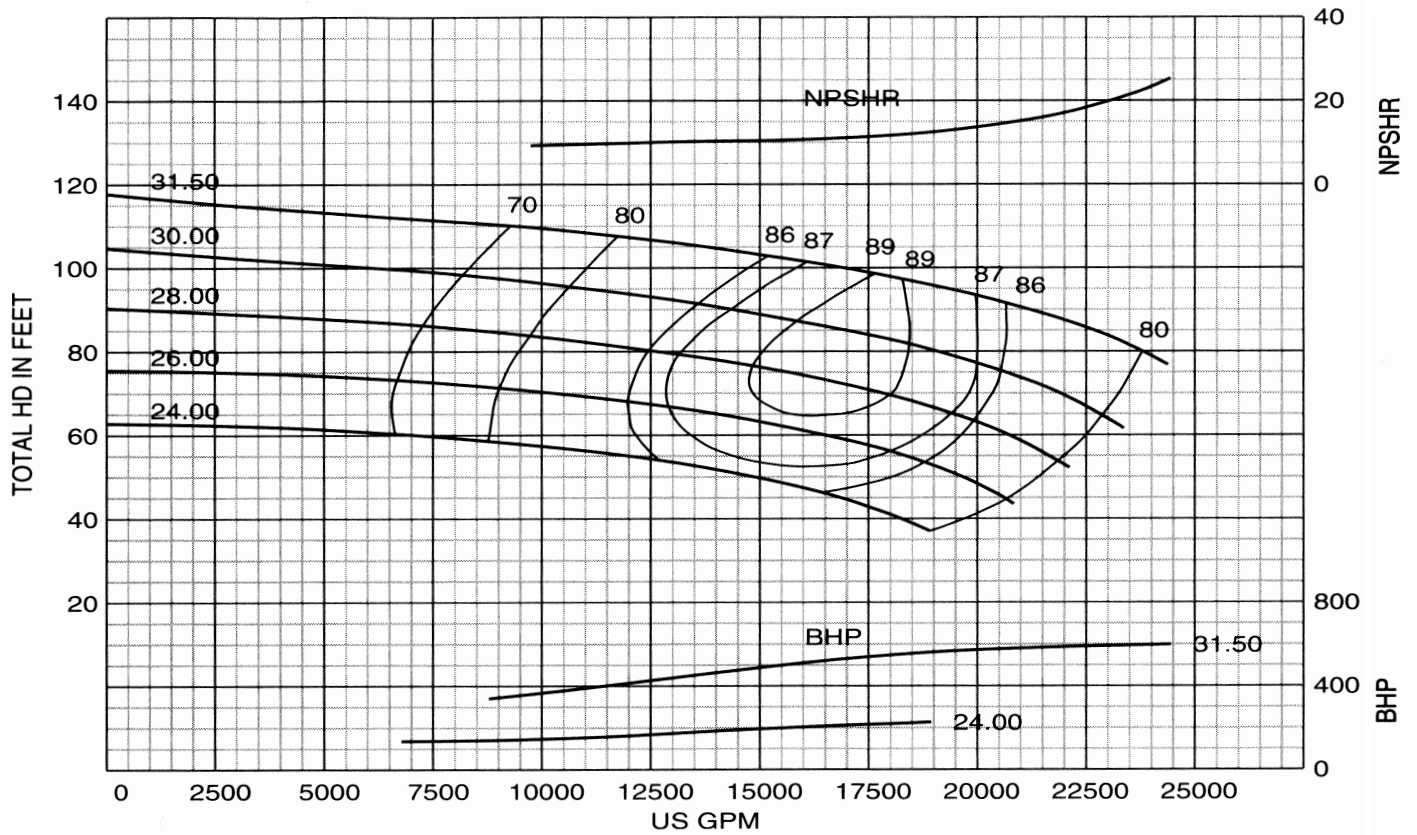
IMPELLER: D20B1A SUCTION: 24" INLET: 362.85 in²



Performance Curve – 24" 5822

IMPELLER: D24B1A SUCTION: 30" INLET: 375.74 in²

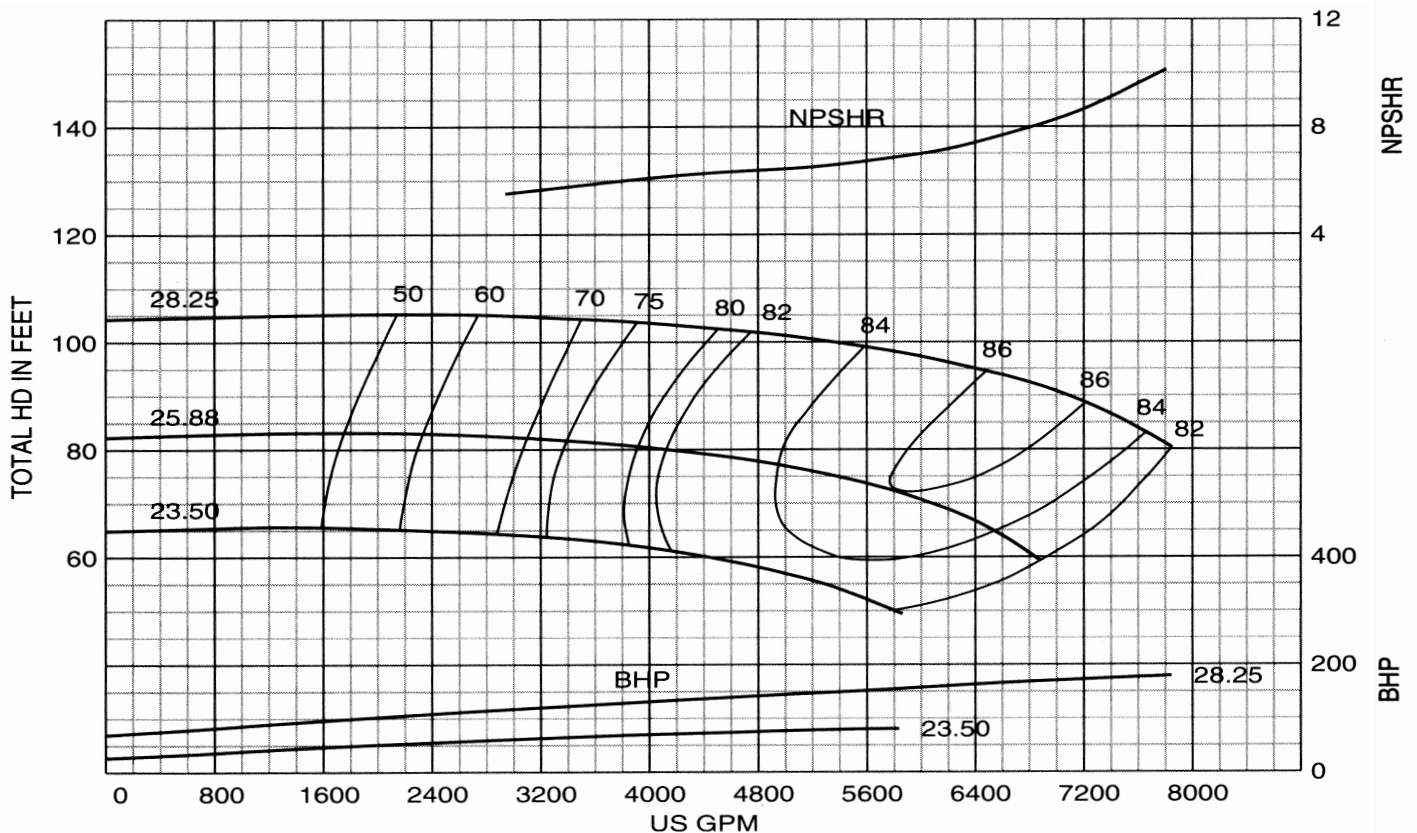
RPM: 585 SOLIDS: 1-7PP"



Performance Curve – 16" 5823

IMPELLER: M16A1A SUCTION: 20" INLET: 192.6 in²

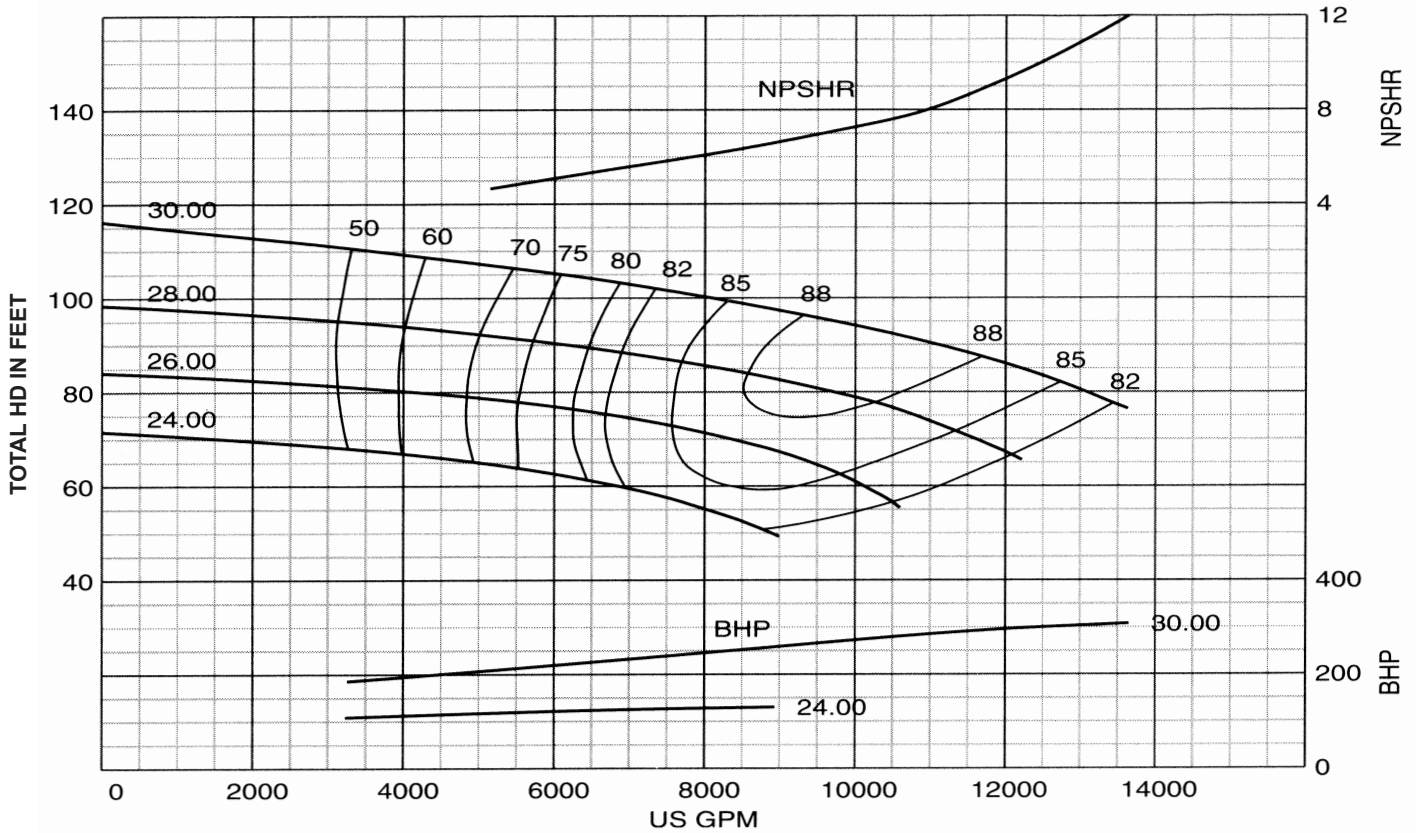
RPM: 585 SOLIDS: 1-3/4"



Performance Curve - 20" 5823

RPM: **585** SOLIDS: **2-1/4"**

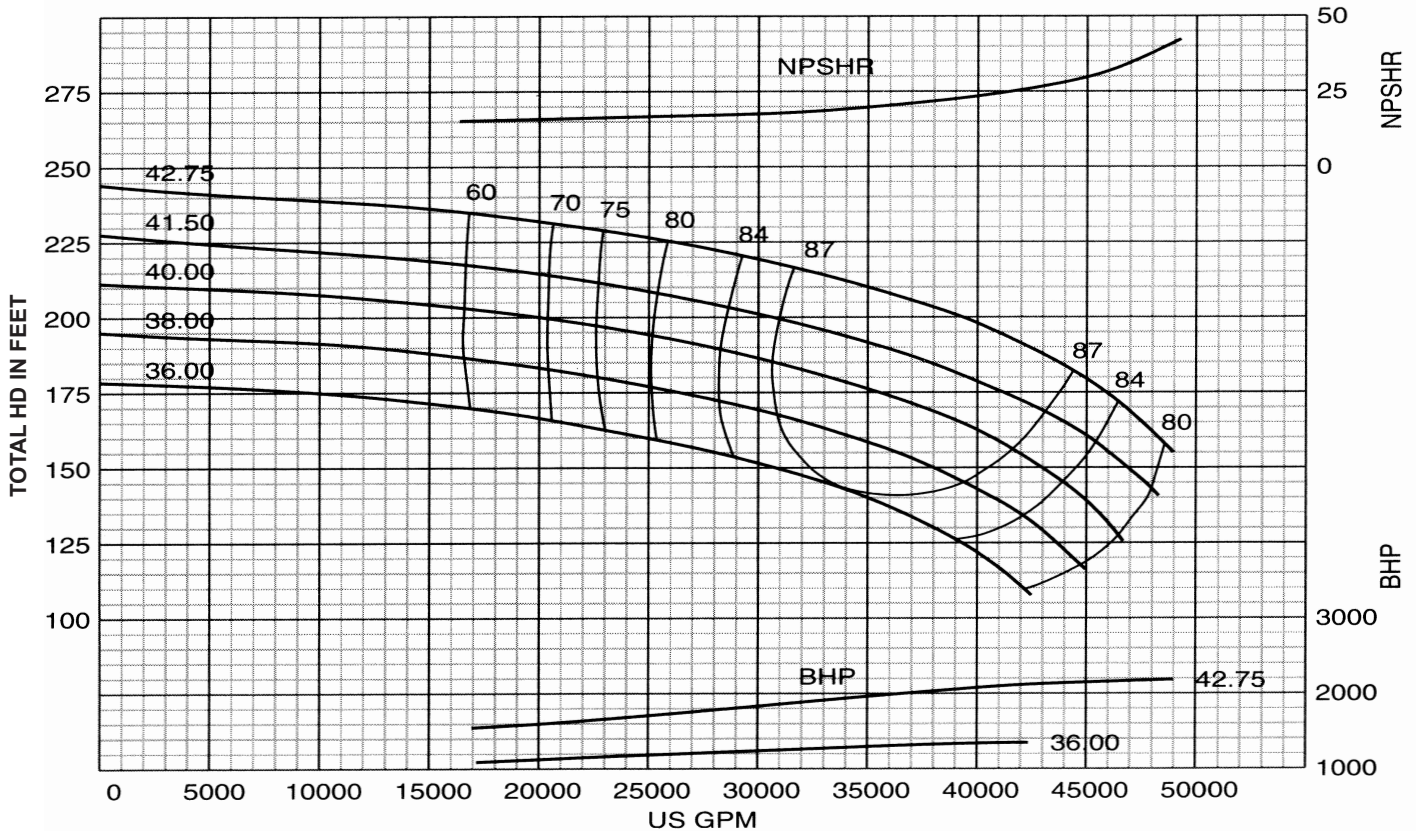
IMPELLER: **D20A1A** SUCTION: **24"** INLET: **317.77 in²**



Performance Curve - 30" 5823

RPM: **585** SOLIDS: **2-3/4"**

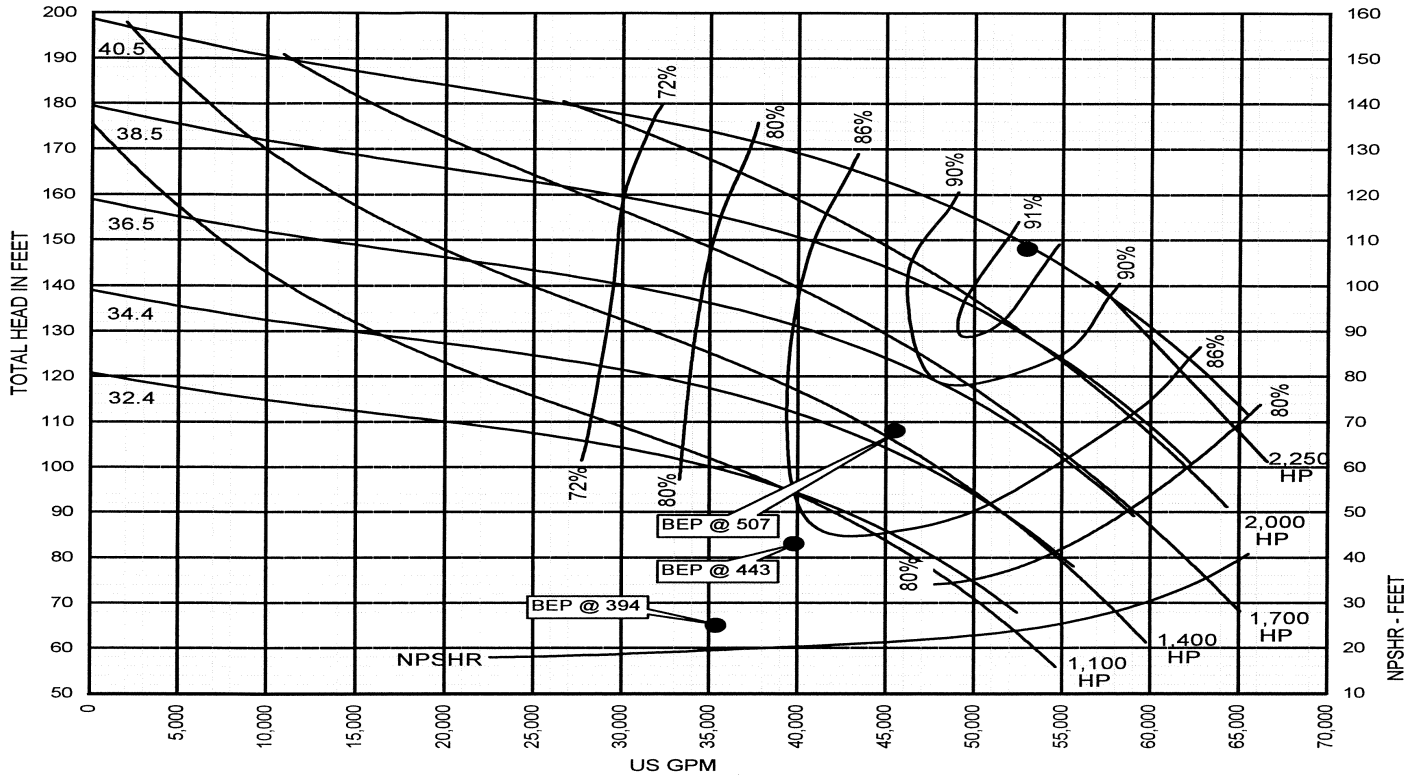
IMPELLER: **D30A1A** SUCTION: **36"** INLET: **815.4 in²**



Performance Curve – 30" 5825A

RPM: **591** SOLIDS: **2.8"**

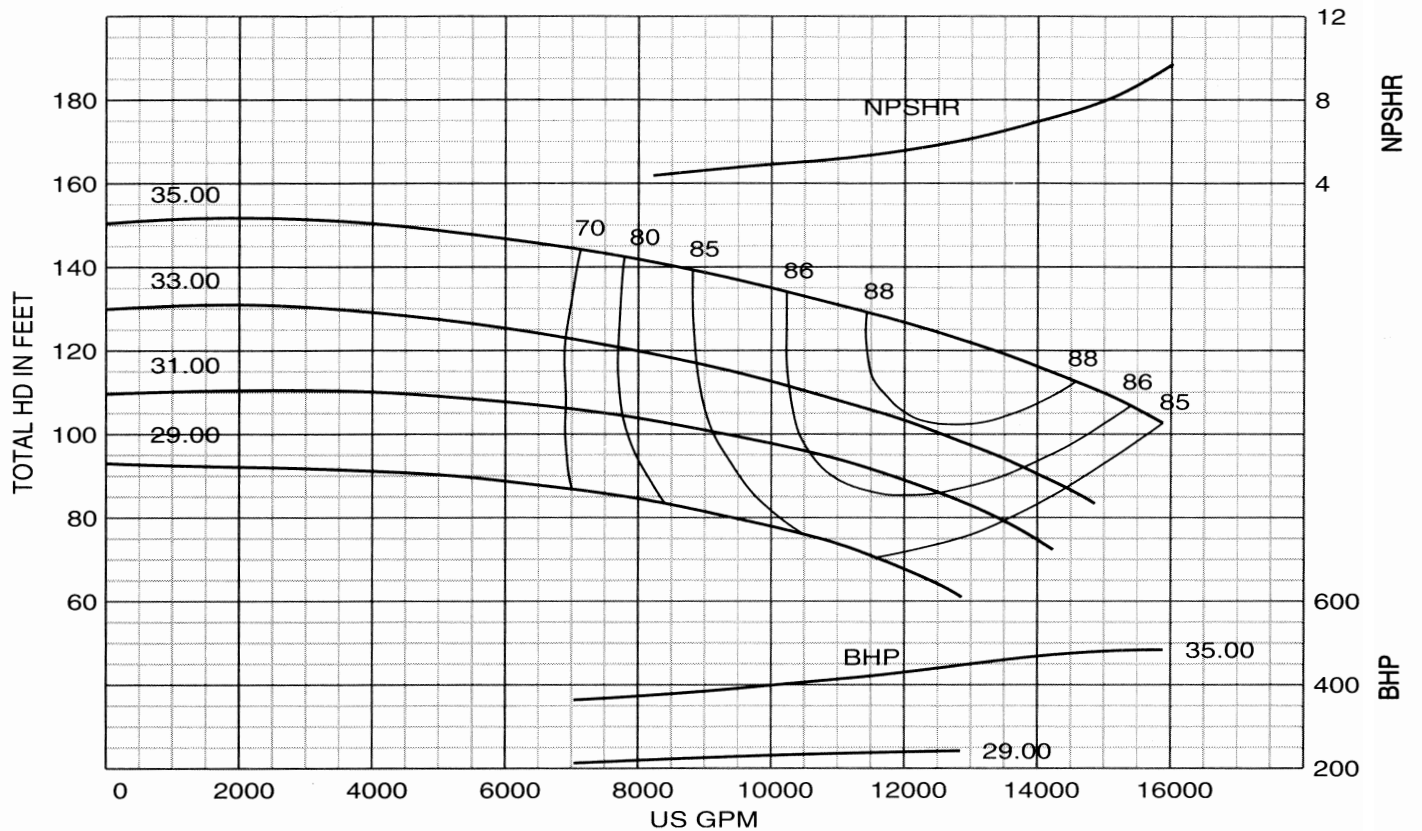
IMPELLER: **D30M1A** SUCTION: **36"** INLET: **1238 in²**



Performance Curve – 20" 5824

RPM: **585** SOLIDS: **2-1/4"**

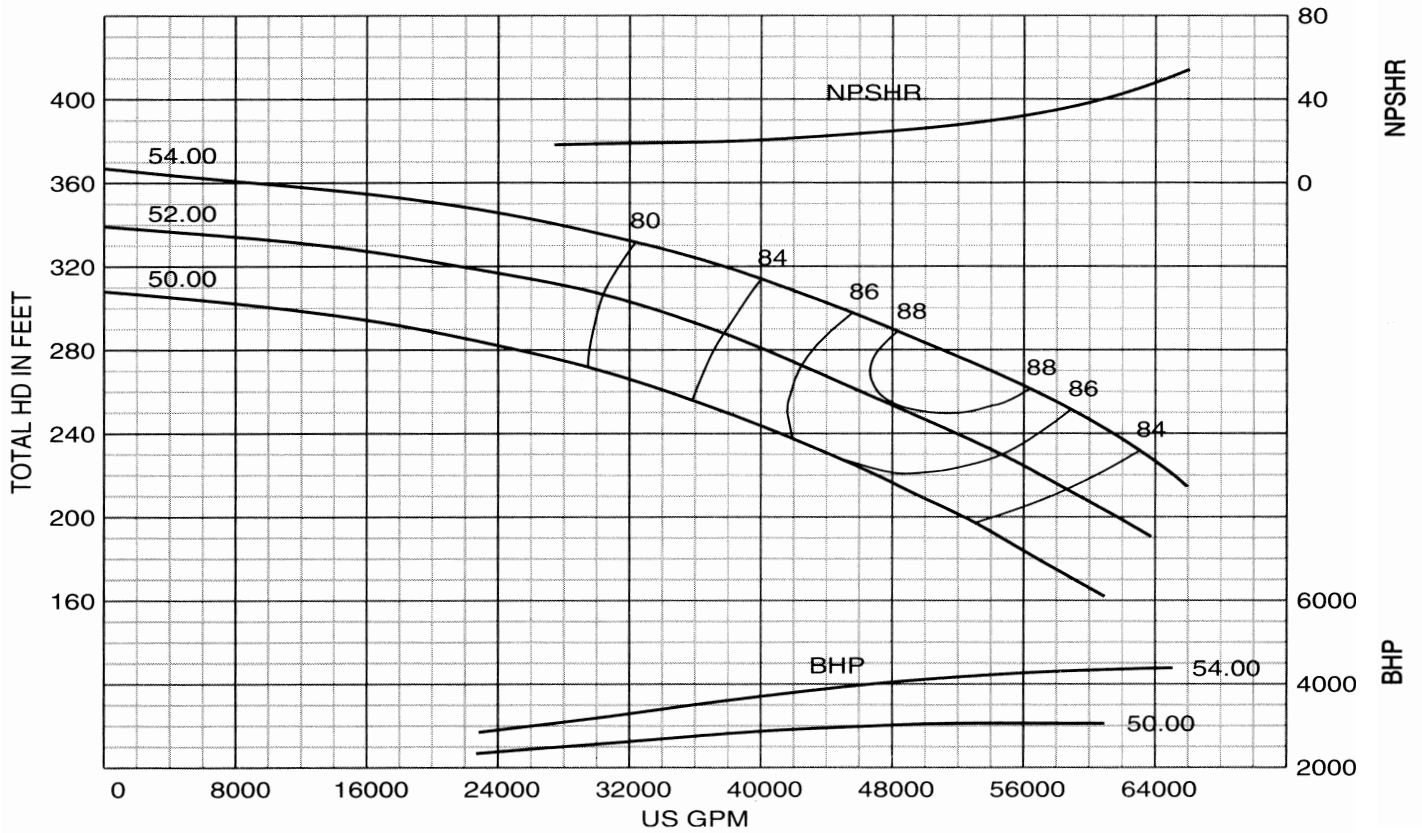
IMPELLER: **D20D1A** SUCTION: **30"** INLET: **394.29 in²**



Performance Curve - 36" 5824

RPM: **585** SOLIDS: **2-1/4"**

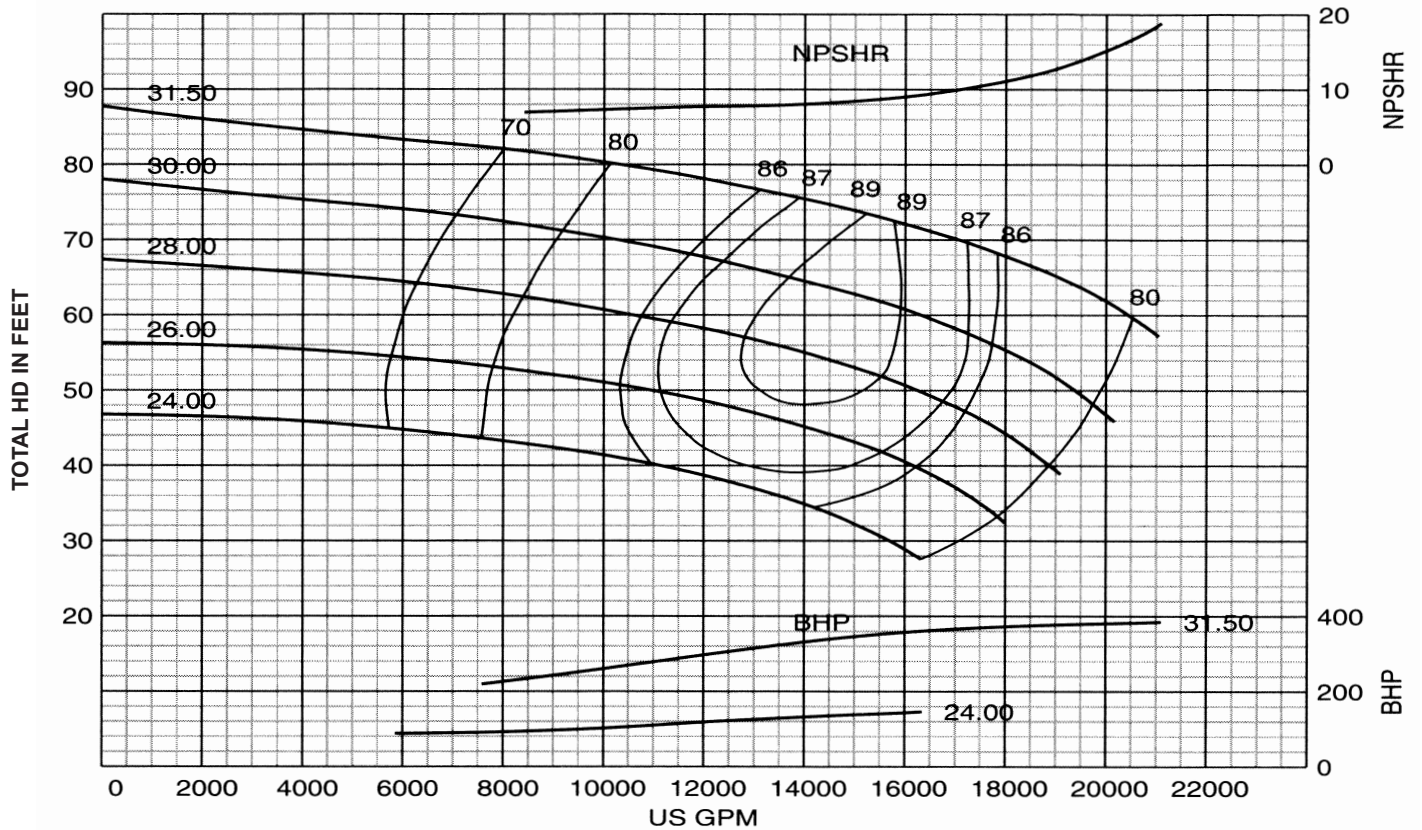
IMPELLER: **D36D1A** SUCTION: **42"** INLET: **1087.82 in²**



Performance Curve - 24" 5822

RPM: **505** SOLIDS: **1-7/8"**

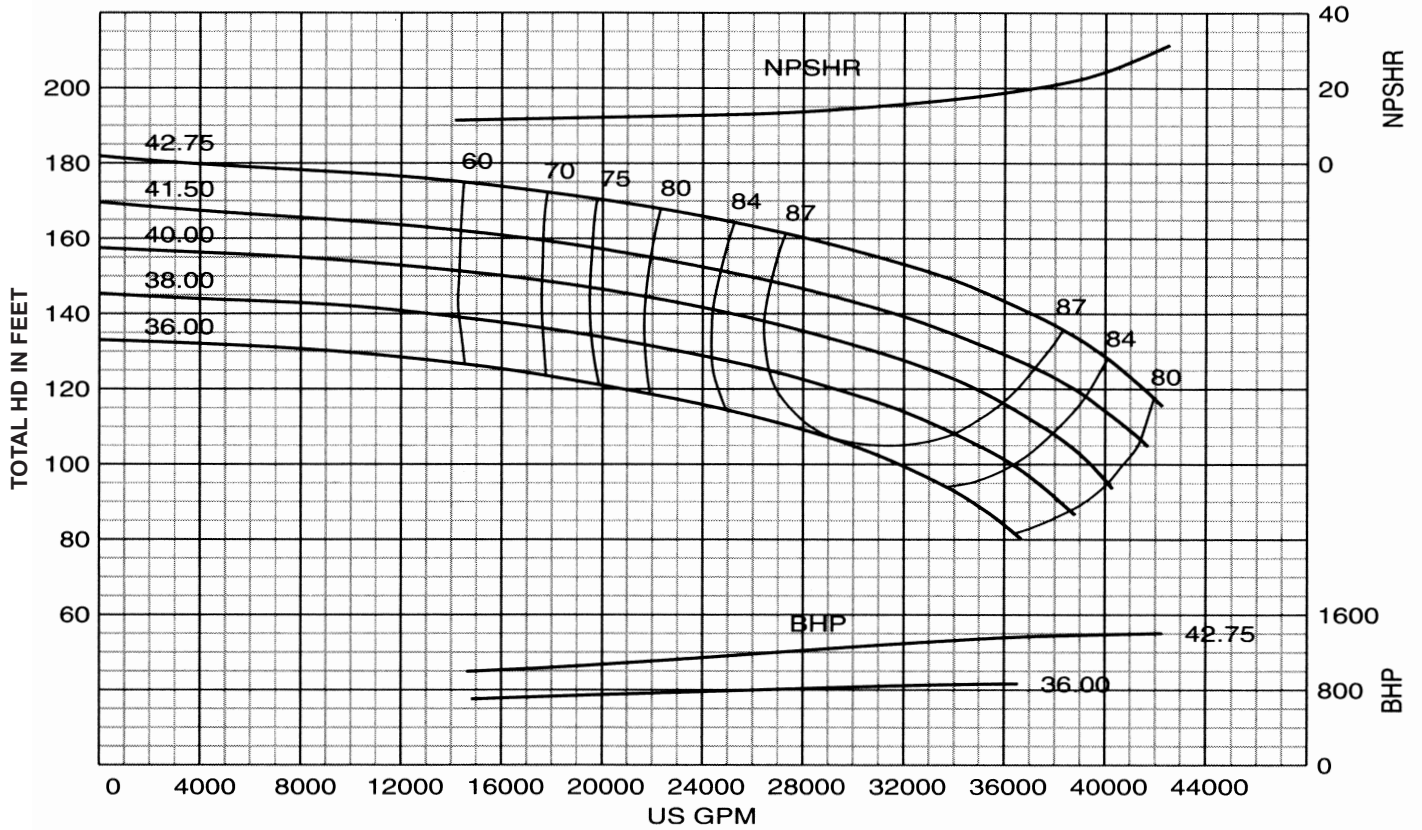
IMPELLER: **D24B1A** SUCTION: **30"** INLET: **375.74 in²**



Performance Curve – 30" 5823

RPM: 505 SOLIDS: 2-3/4"

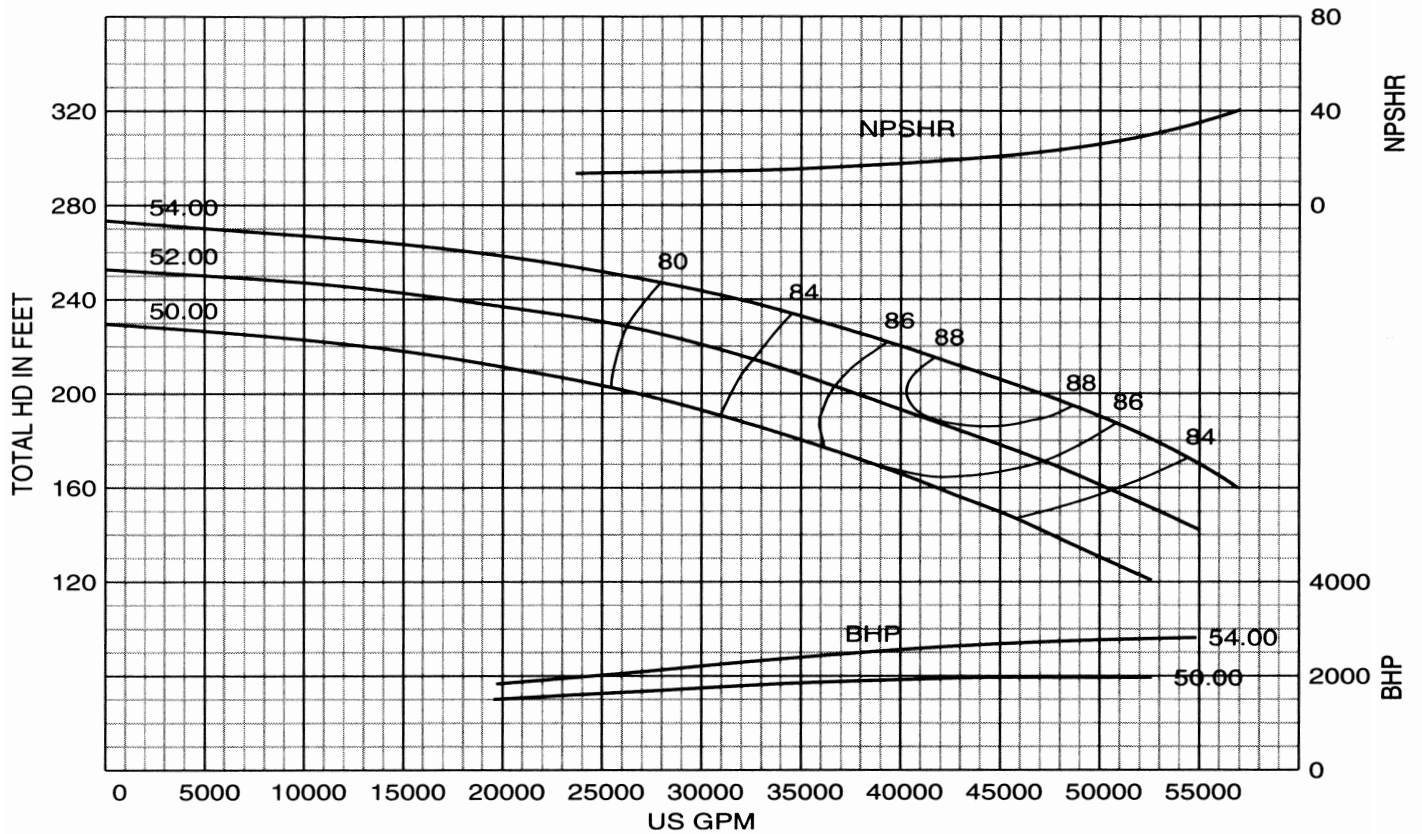
IMPELLER: D30A1A SUCTION: 36" INLET: 815.4 in²



Performance Curve – 36" 5824

RPM: 505 SOLIDS: 2-1/4"

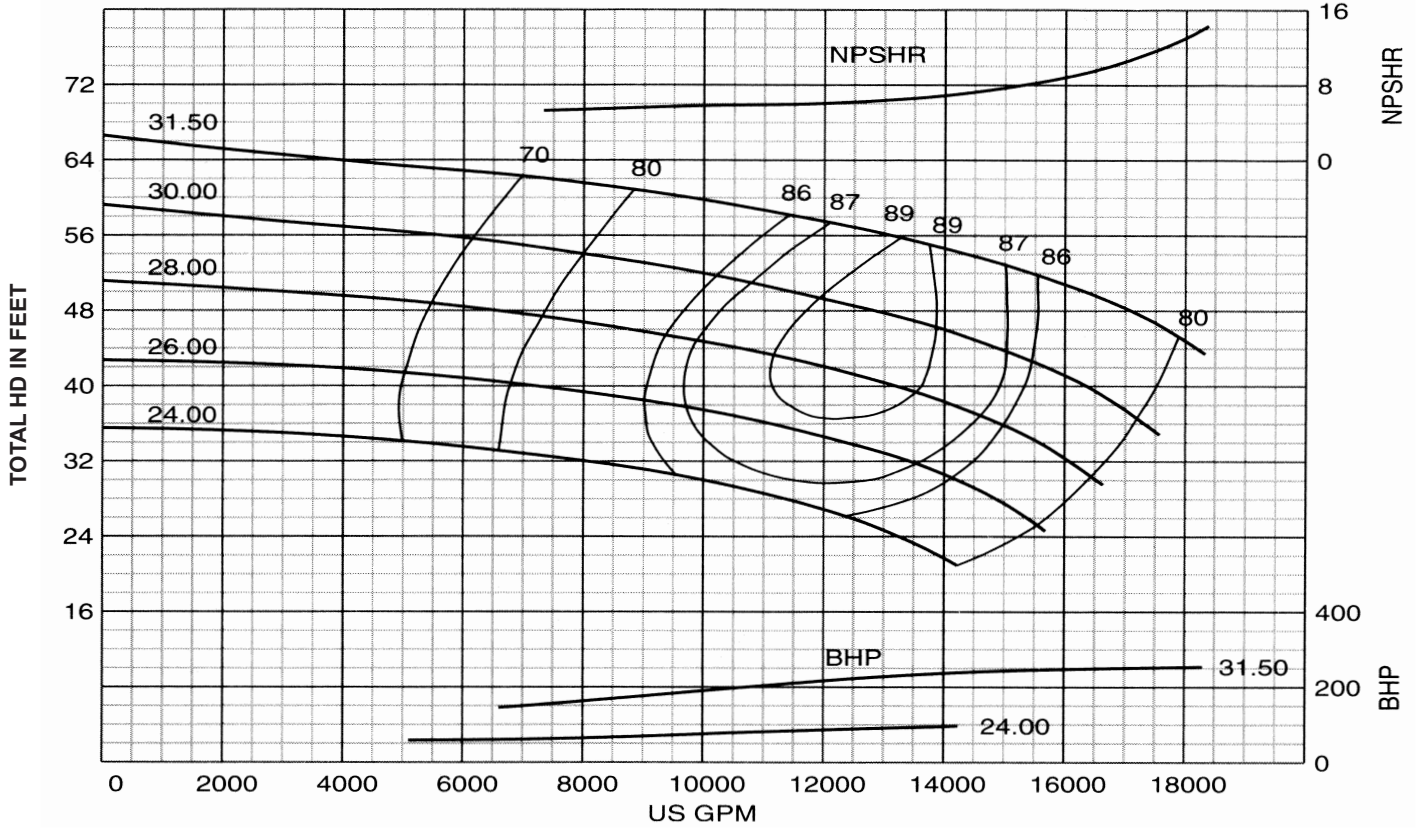
IMPELLER: D36D1A SUCTION: 42" INLET: 1087.82 in²



Performance Curve - 24" 5822

RPM: 440 SOLIDS: 1-7/8"

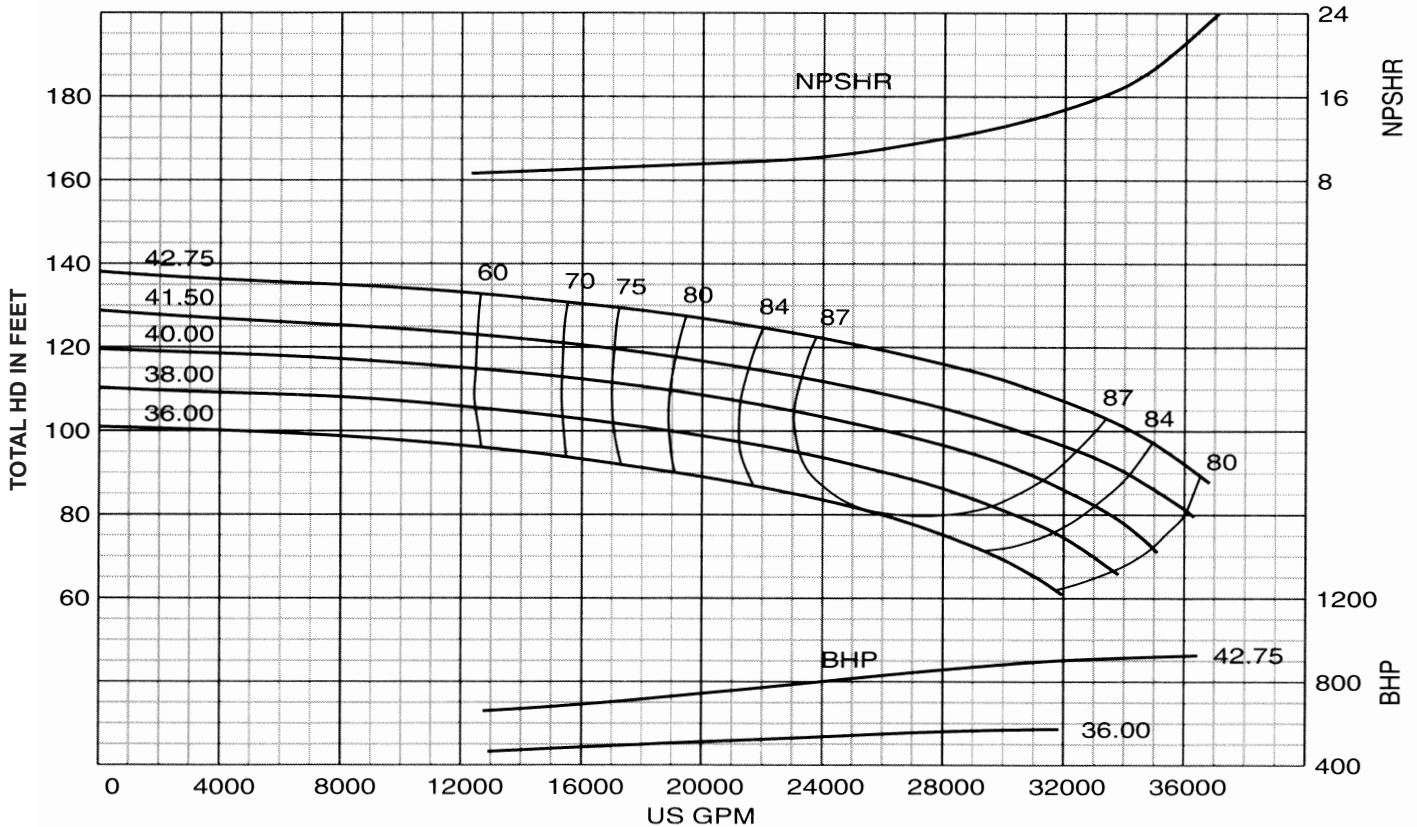
IMPELLER: D24B1A SUCTION: 30" INLET: 375.74 in²



Performance Curve - 30" 5823

RPM: 440 SOLIDS: 2-3/4"

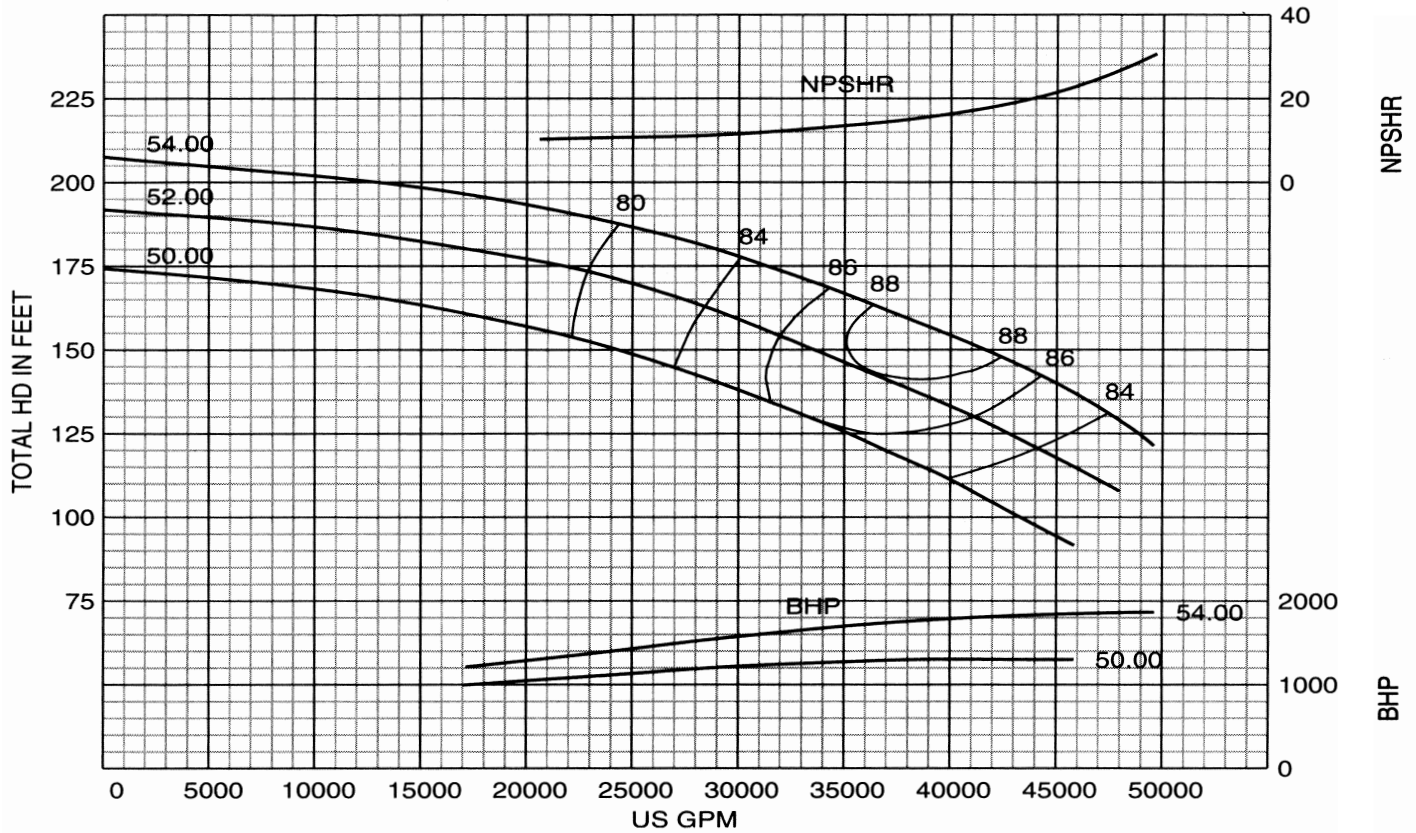
IMPELLER: D30A1A SUCTION: 36" INLET: 815.4 in²



Performance Curve - 36" 5824

IMPELLER: D36D1A SUCTION: 42" INLET: 1087.82 in²

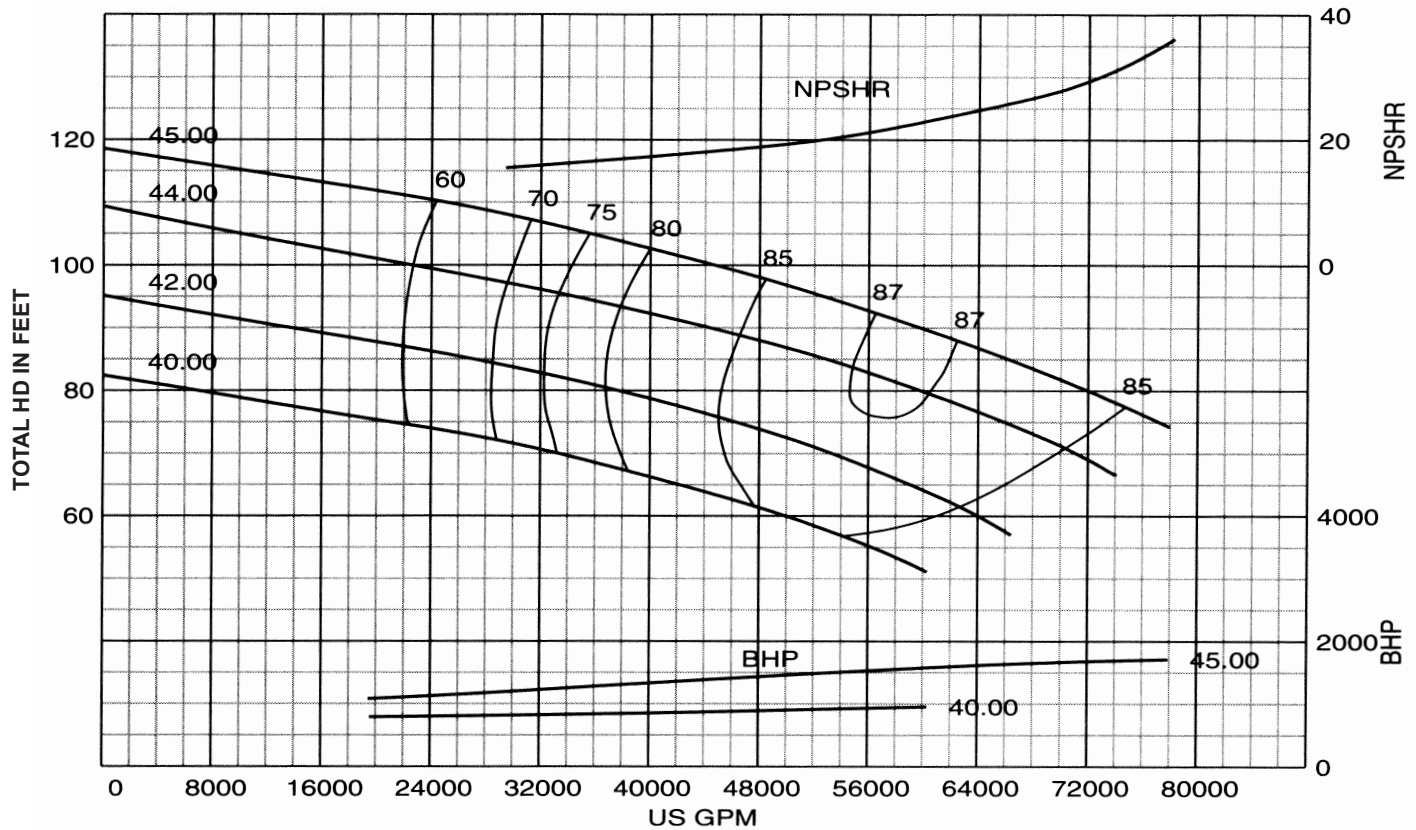
RPM: 440 SOLIDS: 2-1/4"



Performance Curve - 36" 5821

IMPELLER: D36C1A SUCTION: 42" INLET: 1111.24 in²

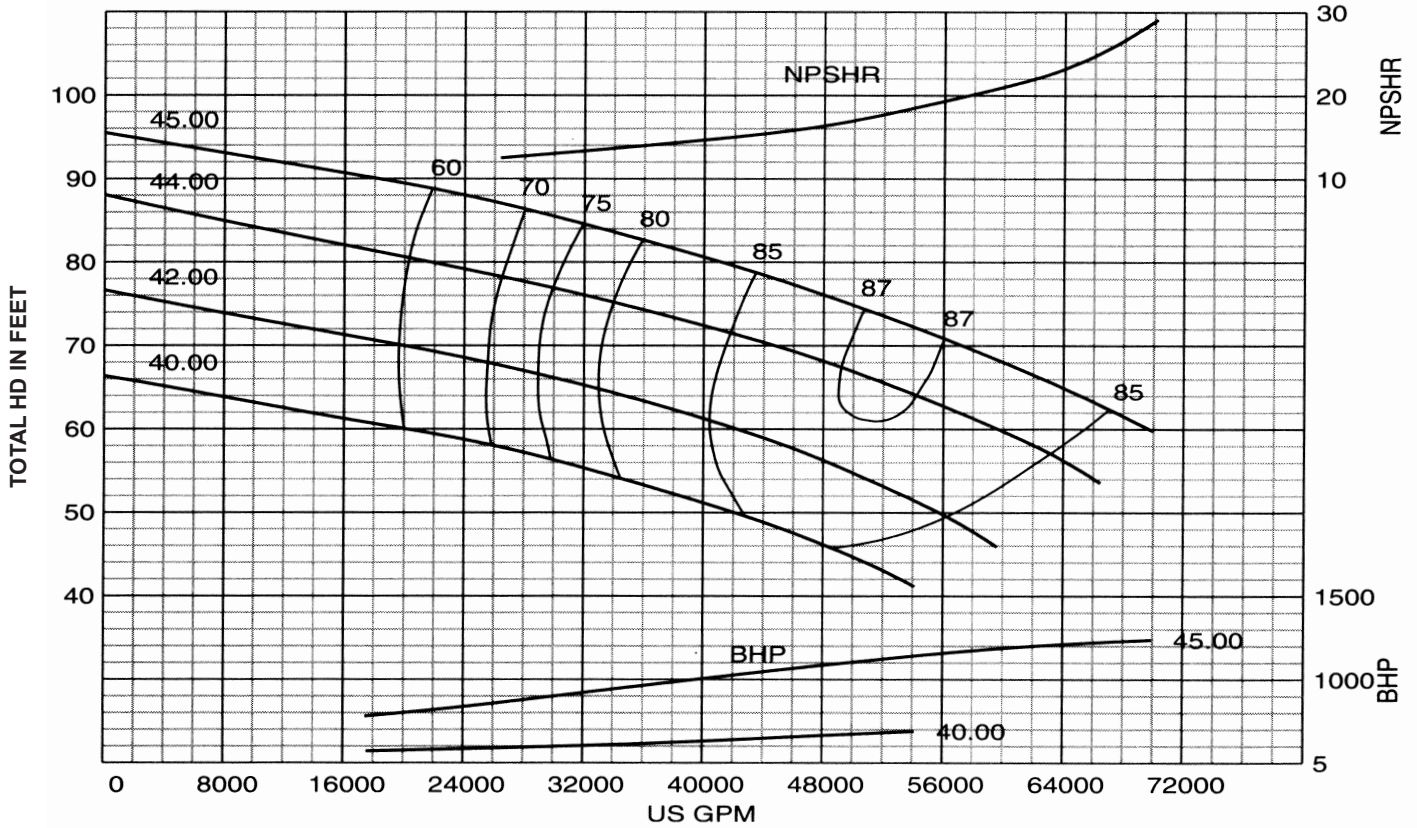
RPM: 390 SOLIDS: 2-1/2"



Performance Curve - 36" 5821

RPM: **350** SOLIDS: **2-1/2"**

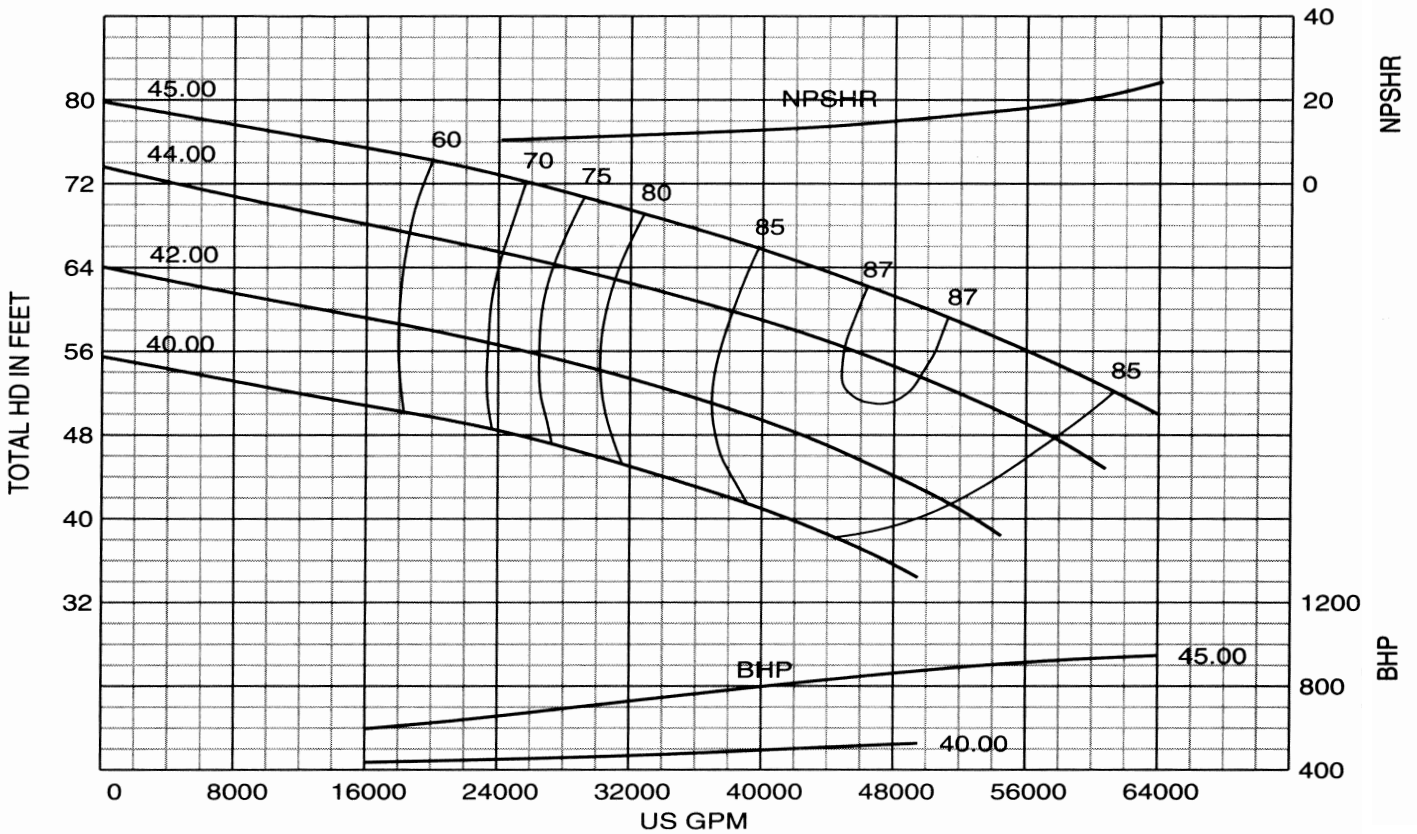
IMPELLER: **D36C1A** SUCTION: **42"** INLET: **1111.24 in²**



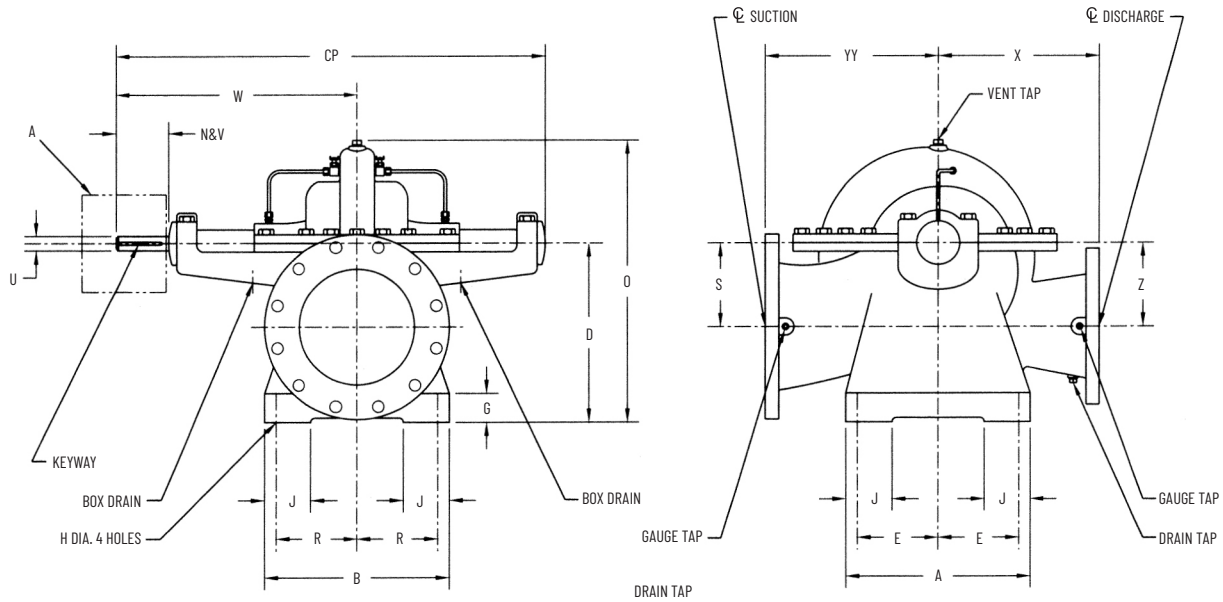
Performance Curve - 36" 5821

RPM: **320** SOLIDS: **2-1/2"**

IMPELLER: **D36C1A** SUCTION: **42"** INLET: **1111.24 in²**



Typical Specifications – BASIC PUMP DIMENSIONS 4" THRU 14" 5821



CLOCKWISE ROTATION SHOWN

PUMP	SUCTION	DISCHARGE	A	B	D	E	G	H	J	K	N&V	O
4" 5821	5	4	12	12	11-1/2	5-1/8	2	5/8	3	3	4-5/16	18-5/8
5" 5821	6	5	12	12	12	5-1/8	2	5/8	3	3	3-7/8	19
6" 5821	8	6	16	16	13-1/2	7-1/8	2	3/4	4	4	3-7/8	21-3/8
8" 5821	10	8	16	16	15-1/2	7	2-1/2	7/8	4	4	4-9/16	24-3/8
10" 5821	12	10	22	24	20	8-1/4	1-1/8	1-1/8	5-1/2	6	4-13/16	32-1/2
12" 5821	14	12	25	32	22	10	1-1/4	1-1/4	7	7	4-15/16	36-1/8
14" 5821	16	14	30	32	24	11-1/2	1-1/2	1-1/2	6	7	3-3/8	39-3/8

PUMP	R	S	U	W	X	Z	CP	YY	KEYWAY
4" 5821	5-1/8	6	7/8	16-1/2	10	6	28-11/16	10-1/2	3/16 X 3/32 X 3-7/8
5" 5821	5-1/8	6	1-1/16	16-1/2	10	6	29-3/16	11	1/4 X 1/8 X 3-3/8
6" 5821	7-1/8	6-1/2	1-1/16	17-3/4	11	6-1/2	31-11/16	13	1/4 X 1/8 X 3-3/8
8" 5821	7	7-1/4	1-1/4	20-7/8	14	7-1/4	37-3/16	15	1/4 X 1/8 X 3-7/8
10" 5821	9-1/2	10	1-11/16	24-1/4	17	10	43-3/4	18	3/8 X 3/16 X 4-1/8
12" 5821	13-1/2	11	1-11/16	25-3/4	21	11	46-5/8	21	3/8 X 3/16 X 4-1/8
14" 5821	13-1/2	12	1-7/8	26-1/4	24	12	49-1/8	24	1/2 X 1/4 X 3-1/8

NOTES:

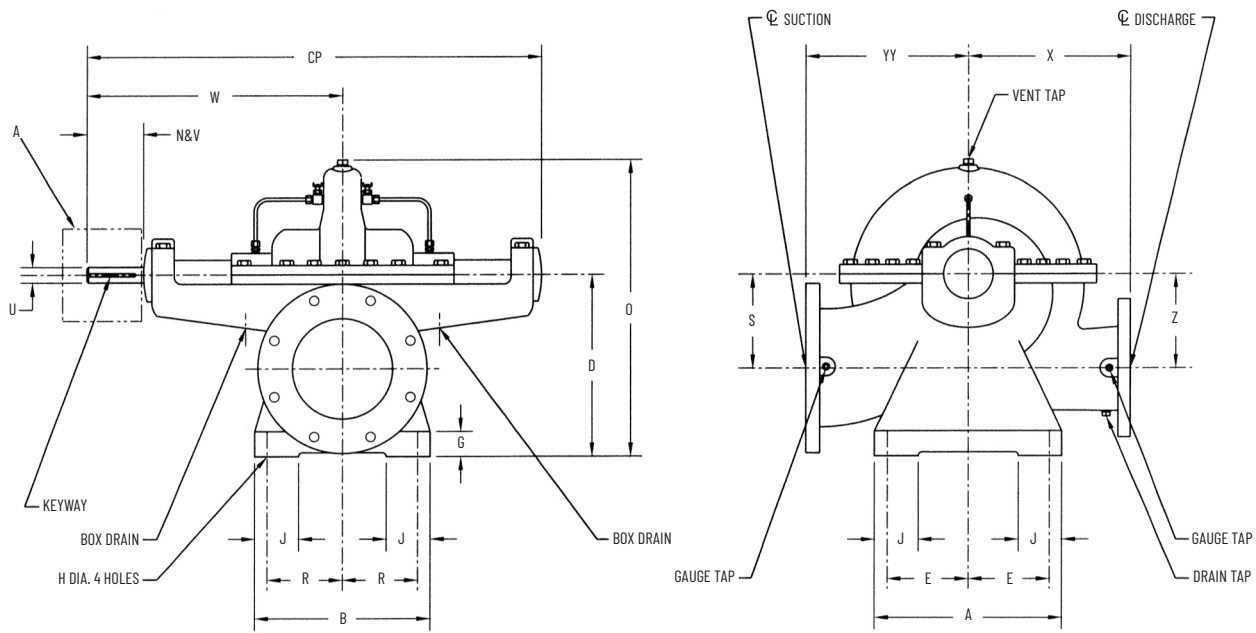
All flanges are standard 125# ANSI drilling. Optional 250# ANSI flanges are available.

All dimensions are in inches unless noted.

Rotation is always viewed from the driver end. For C.C.W. rotation, suction and discharge positions will be on opposite sides of that shown above and dimensions in the end view will be reversed.

Not for construction, installation, or application purposes unless certified. Dimensions shown may vary due to normal manufacturing tolerances.

Typical Specifications – BASIC PUMP DIMENSIONS 4" THRU 8" 5822



CLOCKWISE ROTATION SHOWN

PUMP	SUCTION	DISCHARGE	A	B	D	E	G	H	J	N&V	O
4" 5822	5	4	12	11-1/2	11	5-1/8	2	5/8	2-3/4	3-7/8	19-3/8
5" 5822	6	5	15	14	13	6-1/2	2	3/4	3-1/2	4-1/2	20-5/8
6" 5822	8	6	15	14	14-1/2	6-1/2	2	7/8	3-1/2	4-1/2	23-5/8
8" 5822	10	8	17-1/2	20	17-1/2	7-3/4	2-1/2	1	4	4-3/4	28-1/2

PUMP	R	S	U	W	X	Z	CP	YY	KEYWAY
4" 5822	4-7/8	5-3/4	1-1/16	16-1/2	10	5-3/4	29-3/16	10-1/2	1/4 X 1/8 X 3-3/8
5" 5822	6	7	1-1/4	18-1/4	12	7	32	12	1/4 X 1/8 X 3-7/8
6" 5822	6	7-1/2	1-1/4	20-3/8	13	7-1/2	36-1/4	13	1/4 X 1/8 X 3-7/8
8" 5822	9	9-1/4	1-11/16	22-1/2	16	9-1/4	40-1/4	17	3/8 X 3/16 X 4-1/8

NOTES:

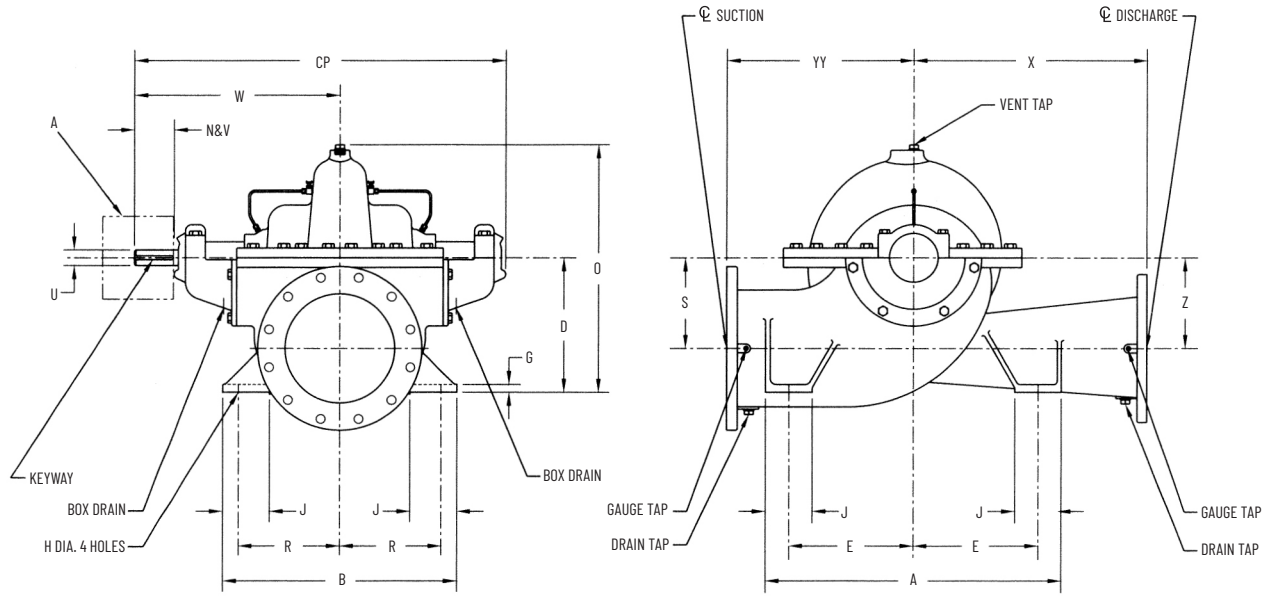
All flanges are standard 125# ANSI drilling. Optional 250# ANSI flanges are available.

All dimensions are in inches unless noted.

Rotation is always viewed from the driver end. For C.C.W. rotation, suction and discharge positions will be on opposite sides of that shown above and dimensions in the end view will be reversed.

Not for construction, installation, or application purposes unless certified. Dimensions shown may vary due to normal manufacturing tolerances.

Typical Specifications – BASIC PUMP DIMENSIONS 12" 5822



CLOCKWISE ROTATION SHOWN

PUMP	SUCTION	DISCHARGE	A	B	D	E	G	H	J	N&V	O
12" 5822	14	12	30	38	17-1/4	16	1	1-1/4	6	5-1/16	31

PUMP	R	S	U	W	X	Z	CP	YY	KEYWAY
12" 5822	13	11-5/8	2	26-5/16	30	11-5/8	47-5/8	24	1/2 X 1/4 X 5

NOTES:

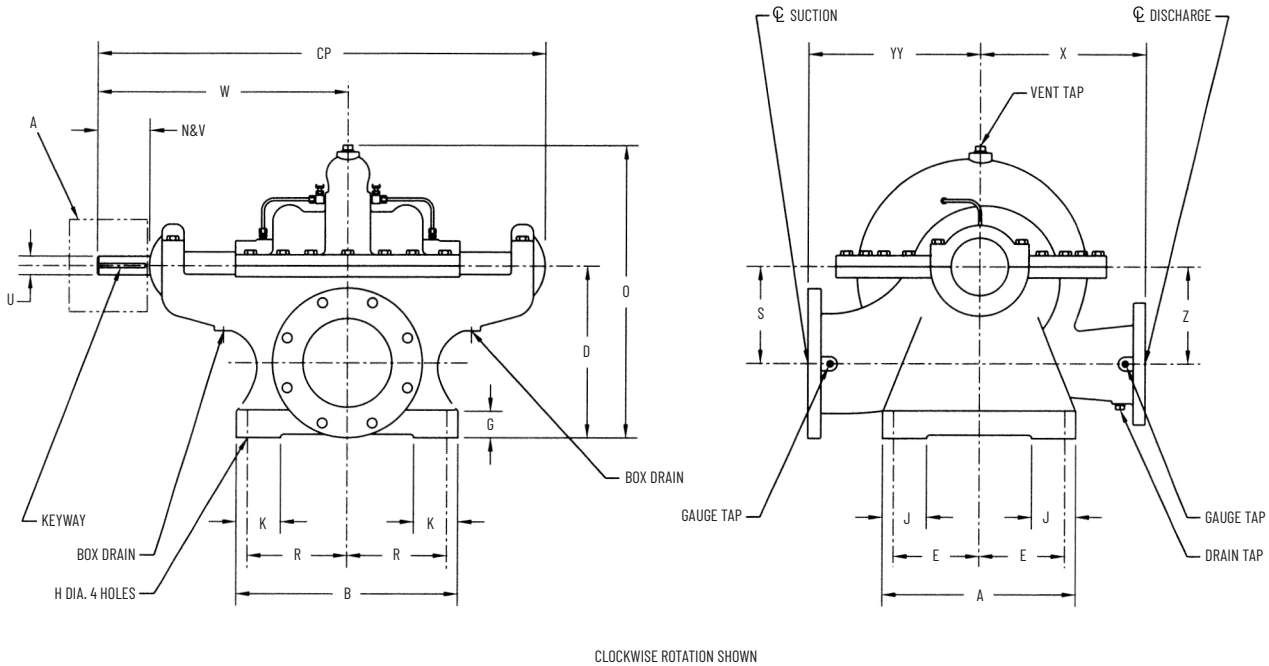
All flanges are standard 125# ANSI drilling. Optional 250# ANSI flanges are available.

All dimensions are in inches unless noted.

Rotation is always viewed from the driver end. For C.C.W. rotation, suction and discharge positions will be on opposite sides of that shown above and dimensions in the end view will be reversed.

Not for construction, installation, or application purposes unless certified. Dimensions shown may vary due to normal manufacturing tolerances.

Typical Specifications – BASIC PUMP DIMENSIONS 4" THRU 12" 5823



PUMP	SUCTION	DISCHARGE	A	B	D	E	G	H	J	K	N&V	O
4" 5823	5	4	14	15	12-1/2	6	2	7/8	3-1/2	3-1/2	3-5/8	21-3/4
5" 5823	6	5	15-1/2	17-1/2	14	6-3/4	2-1/4	1	3-3/4	3-3/4	3-5/8	24
6" 5823	8	6	17-1/2	20	15-1/2	7-3/4	2-1/2	1	4	4	4-3/16	25-3/4
8" 5823	10	8	17-1/2	20	17-1/2	7-3/4	2-1/2	1	4	4	4-13/16	28-1/8
10" 5823	12	10	26	24	20	10-1/2	1-1/4	1-1/4	5-1/2	6	5-5/16	32-3/8
12" 5823	14	12	28	34	26-1/4	11-1/2	1-1/4	1-1/4	7	7	5-3/4	43-3/8

PUMP	R	S	U	W	X	Z	CP	YY	KEYWAY
4" 5823	6-1/2	7-3/8	1-1/4	18-3/8	13-1/2	7-3/8	33-3/16	14	1/4 X 1/8 X 2-5/8
5" 5823	7-3/4	8-1/8	1-1/4	18-3/8	15	8-1/8	33-3/16	15-1/2	1/4 X 1/8 X 2-5/8
6" 5823	9	8-3/4	1-11/16	22-1/2	15	8-3/4	40-1/4	15-1/2	3/8 X 3/16 X 4-1/8
8" 5823	9	9-1/4	1-11/16	22-1/2	17	9-1/4	40-1/4	17	3/8 X 3/16 X 4-1/8
10" 5823	9-1/2	10	2	25-9/16	20	10	45-3/16	20	1/2 X 1/4 X 5
12" 5823	15	14-1/2	2-3/4	31-3/8	24	14-1/2	57	24	5/8 X 5/16 X 4-1/2

NOTES:

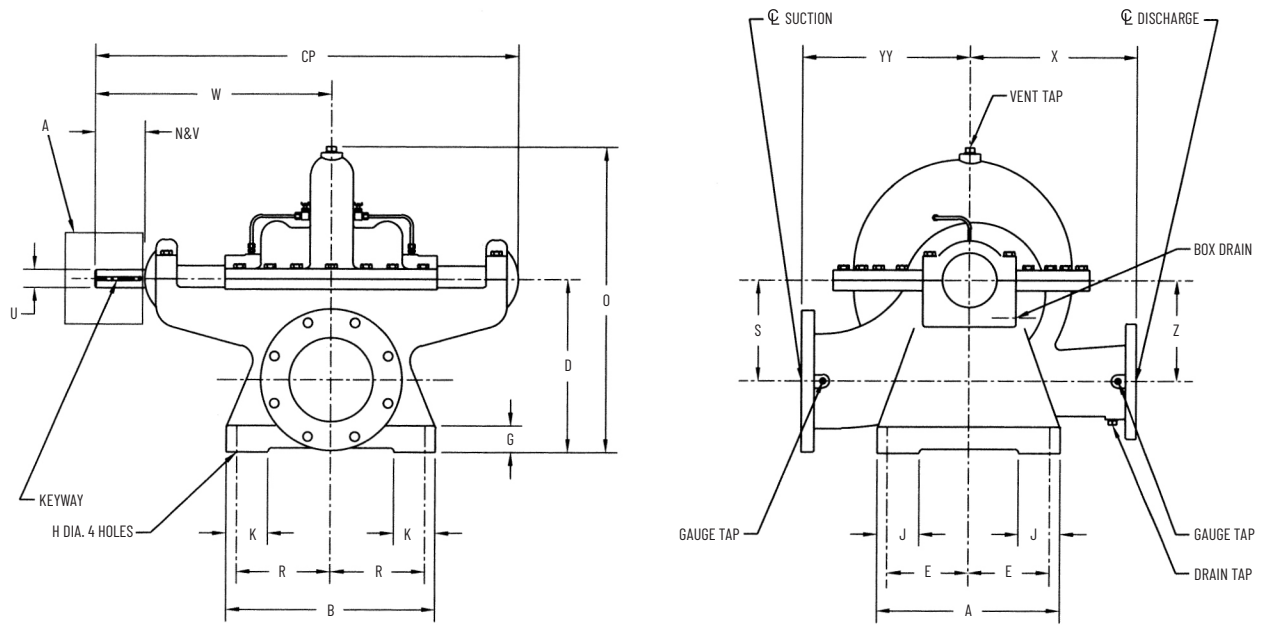
All flanges are standard 125# ANSI drilling. Optional 250# ANSI flanges are available.

All dimensions are in inches unless noted.

Rotation is always viewed from the driver end. For C.C.W. rotation, suction and discharge positions will be on opposite sides of that shown above and dimensions in the end view will be reversed.

Not for construction, installation, or application purposes unless certified. Dimensions shown may vary due to normal manufacturing tolerances.

Typical Specifications – BASIC PUMP DIMENSIONS 4" THRU 10" 5824



CLOCKWISE ROTATION SHOWN

PUMP	SUCTION	DISCHARGE	A	B	D	E	G	H	J	K	N&V	O
4" 5824	5	4	15	16	14-3/4	6-1/2	2	7/8	3-1/2	3-1/2	3-1/2	25-3/4
5" 5824	6	5	18	16	16	8	2-1/4	1	3-3/4	3-3/4	4-15/16	27-3/4
6" 5824	8	6	17-1/2	20	16-1/2	7-3/4	2-1/2	1	4	4	4-15/16	28-1/2
8" 5824	10	8	22	24	18-1/2	8-5/8	1-1/4	1-1/4	6	6	5-1/4	32-1/4
10" 5824	12	10	26	24	21-3/4	10-1/2	1-1/4	1-1/4	5-1/2	6	5-5/16	35-1/4

PUMP	R	S	U	W	X	Z	CP	YY	KEYWAY
4" 5824	7	9-1/2	1-1/4	18-3/8	14	9-1/2	33-1/4	14	1/4 X 1/8 X 2-5/8
5" 5824	7	10	1-11/16	21	14	10	37-1/8	14	3/8 X 3/16 X 4-1/8
6" 5824	9	9-5/8	1-11/16	22-1/2	16	9-5/8	40-1/8	16	3/8 X 3/16 X 4-1/8
8" 5824	10-1/2	10	2	24-3/4	18	10	44-1/4	18	1/2 X 1/4 X 5
10" 5824	9-1/2	11-1/2	2	25-9/16	21	11-1/2	45-13/16	21	1/2 X 1/4 X 5

NOTES:

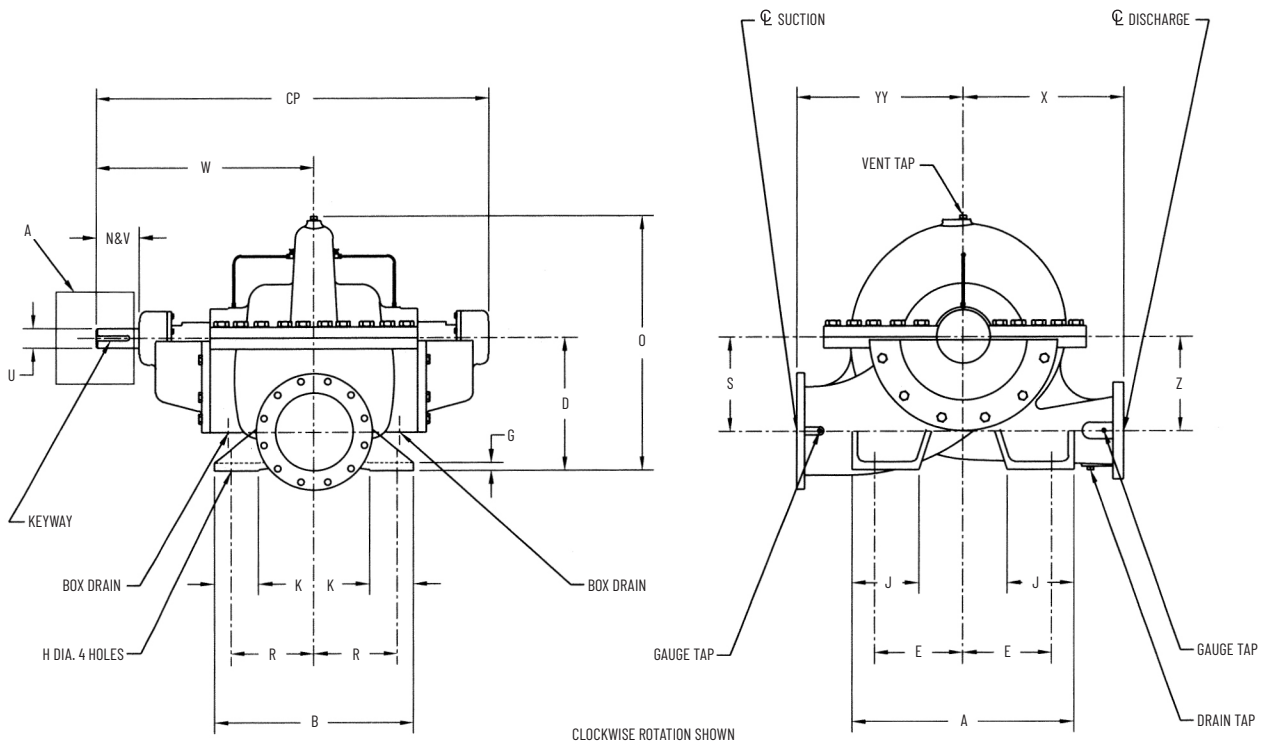
All flanges are standard 125# ANSI drilling. Optional 250# ANSI flanges are available.

All dimensions are in inches unless noted.

Rotation is always viewed from the driver end. For C.C.W. rotation, suction and discharge positions will be on opposite sides of that shown and dimensions in the end view will be reversed.

Not for construction, installation, or application purposes unless certified. Dimensions shown may vary due to normal manufacturing tolerances.

Typical Specifications – BASIC PUMP DIMENSIONS 10" 5825



PUMP	SUCTION	DISCHARGE	A	B	D	E	G	H	J	K	N&V	O
10" 5825	14	10	20	36	24	16	1-1/2	1-1/4	12	8	6-3/4	46

PUMP	R	S	U	W	X	Z	CP	YY	KEYWAY
10" 5825	15	17	3-1/2	39-3/8	29	17	71	30	7/8 X 7/16 X 5-1/2

NOTES:

All flanges are 125# ANSI drilling unless noted.

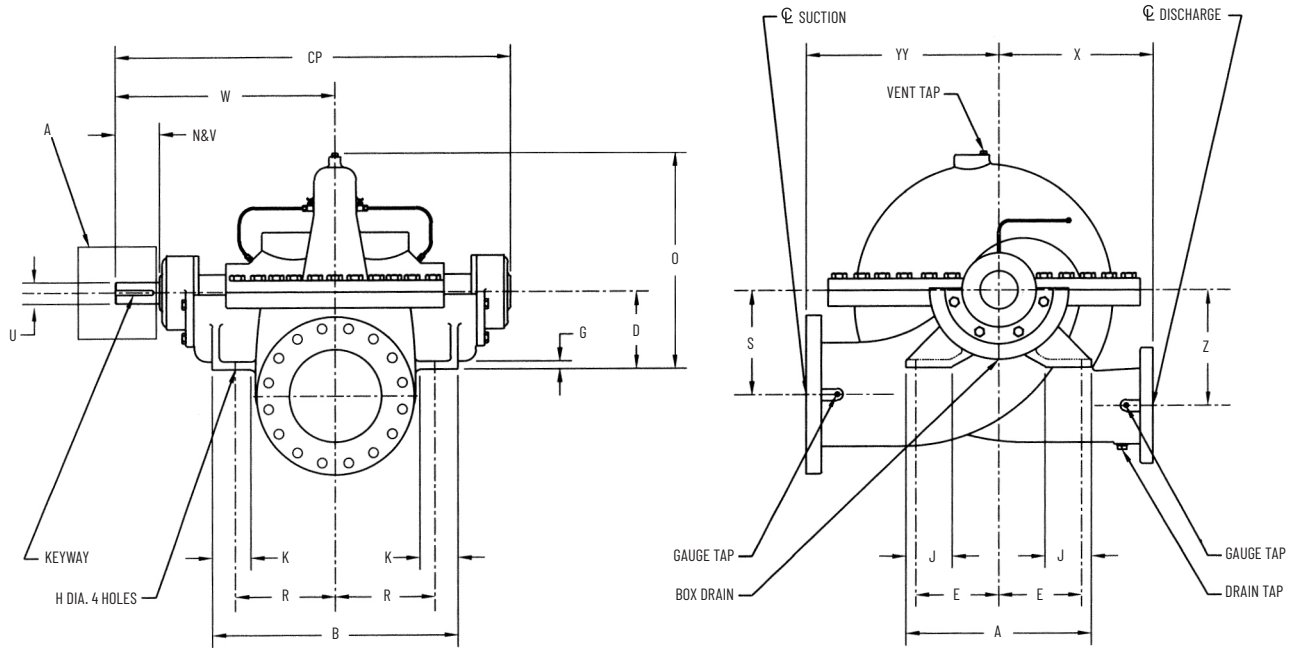
All dimensions are in inches unless noted.

Rotation is always viewed from the driver end. For C.C.W. rotation, suction and discharge positions will be on opposite sides of that shown and dimensions in the end view will be reversed.

Discharge flanges are standard 250# ANSI drilling.

Not for construction, installation, or application purposes unless certified. Dimensions shown may vary due to normal manufacturing tolerances.

Typical Specifications – BASIC PUMP DIMENSIONS 6" THRU 10" 5826



CLOCKWISE ROTATION SHOWN

PUMP	SUCTION	DISCHARGE	A	B	D	E	G	H	J	K	N&V	O
6" 5826	10	6	22-5/8	30	8	9-3/4	1	1-3/8	6	4-1/4	5-1/4	27
8" 5826	12	8	24	32	10	10-3/4	1	1-3/8	6	5	5-3/4	28
10" 5826	14	10	32	48	9	14	1-1/4	1-1/4	6	6	6-3/8	31

PUMP	R	S	U	W	X	Z	CP	YY	KEYWAY
6" 5826	12	13	2	26-5/8	21	14-1/2	48-1/4	20-3/4	1/2 X 1/4 X 5
8" 5826	13	13-1/2	2-3/4	28-5/8	20	15	51-1/2	25	5/8 X 5/16 X 4-11/16
10" 5826	21-1/2	17	3-15/16	35-1/2	22	19	64-5/8	30	1 X 1/2 X 5

NOTES:

All flanges are 250# ANSI drilling unless noted.

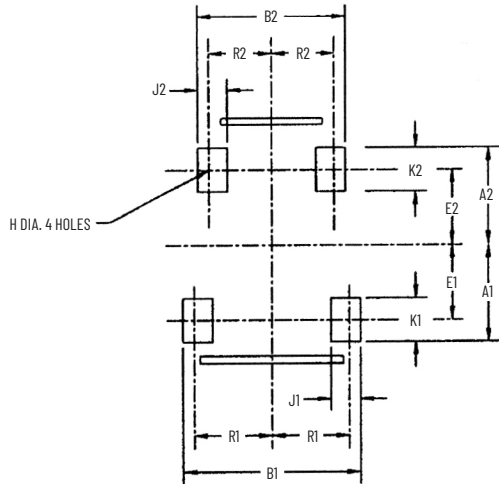
All dimensions are in inches unless noted.

Rotation is always viewed from the driver end. For C.C.W. rotation, suction and discharge positions will be on opposite sides of that shown and dimensions in the end view will be reversed.

Suction flange is 125# ANSI drilling.

Not for construction, installation, or application purposes unless certified. Dimensions shown may vary due to normal manufacturing tolerances.

Typical Specifications – BASIC PUMP DIMENSIONS 16" & LARGER



NOTES:

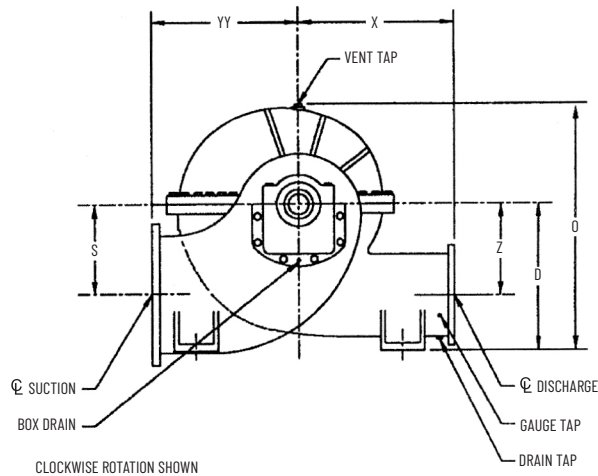
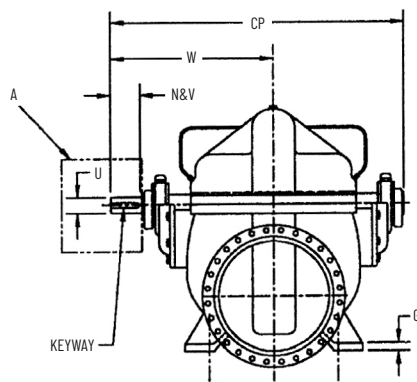
All flanges are standard 125# ANSI drilling. Optional 250# ANSI flanges are available.

All dimensions are in inches unless noted.

Dimensions reflect usable shaft length.

Rotation is always viewed from the driver end. For C.C.W. rotation, suction and discharge positions will be on opposite sides of that shown and dimensions in the end view will be reversed.

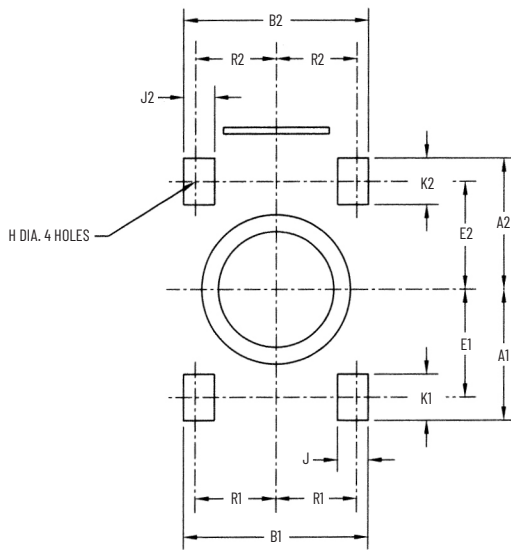
Not for construction, installation, or application purposes unless certified. Dimensions shown may vary due to normal manufacturing tolerances.



PUMP	SUCTION	DISCHARGE	A1	A2	B1	B2	D	E1	E2	G	H	J1	J2	K1
20" 5821	20	20	18	18	44	44	30	15	15	1-3/8	1-3/8	8	8	8
36" 5821	42	36	48	40	68	56	55	41	33	2-1/2	2	12	12	14
20" 5822	24	20	CONSULT FACTORY											
24" 5822	30	24	41	41	40	40	44	36	36	2	1-5/8	8	8	10
16" 5823	20	16	24	24-1/2	33	27	27	20	20-1/2	1-1/2	1-3/8	6	6	8
20" 5823	24	20	30	30	39	36	36	24-1/2	24-1/2	1-1/2	1-1/4	9-1/2	8	11
30" 5823	36	30	36	36	78	70	52	30	30	2	1-3/4	12	12	12
20" 5824	30	20	34	34	48	48	40	28	28	2	1-1/4	12	12	12
36" 5824	42	36	CONSULT FACTORY											

PUMP	K2	N&V	O	R1	R2	S	U	W	X	Z	CP	YY	KEYWAY
20" 5821	8	4-1/2	51	20	20	18	2-3/4	31-1/2	27	18	59	27	5/8 X 5/16 X 3-3/4
36" 5821	14	11-3/4	96-1/2	31	26	40	5-3/4	69-3/8	54	36	127	60	1-1/2 X 3/4 X 9-3/4
20" 5822	CONSULT FACTORY												
24" 5822	10	8-1/4	73-1/8	18	18	28	5	45	48	28	81-7/8	48	1-1/4 X 5/8 X 6
16" 5823	8	9-5/8	48-3/4	14-1/2	11-1/2	18-1/4	3-3/8	36-1/8	34	18-1/4	69-3/8	29	7/8 X 7/16 X 8
20" 5823	11	10	59-3/4	18	15-1/2	22	3-3/4	41	42	22	72	40	7/8 X 7/16 X 8
30" 5823	12	13-1/2	86-3/4	36	32	38	5-1/2	62-1/2	72	33	111-1/2	54	1-1/4 X 5/8 X 8
20" 5824	12	8-7/8	66	21-1/2	21-1/2	24-1/2	4-1/4	46	42	25	81-1/8	40	1 X 1/2 X 8
36" 5824	CONSULT FACTORY												

Typical Specifications – BASIC PUMP DIMENSIONS BOTTOM SUCTION 16" & LARGER



NOTES:

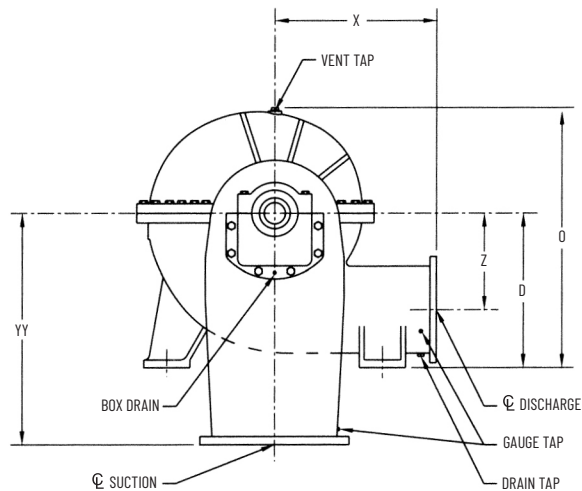
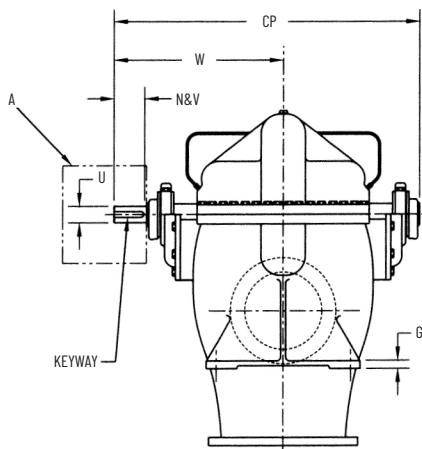
All flanges are standard 125# ANSI drilling. Optional 250# ANSI flanges are available.

All dimensions are in inches unless noted.

Dimensions reflect usable shaft length.

Rotation is always viewed from the driver end. For C.C.W. rotation, suction and discharge positions will be on opposite sides of that shown above and dimensions in the end view will be reversed.

Not for construction, installation, or application purposes unless certified. Dimensions shown may vary due to normal manufacturing tolerances.

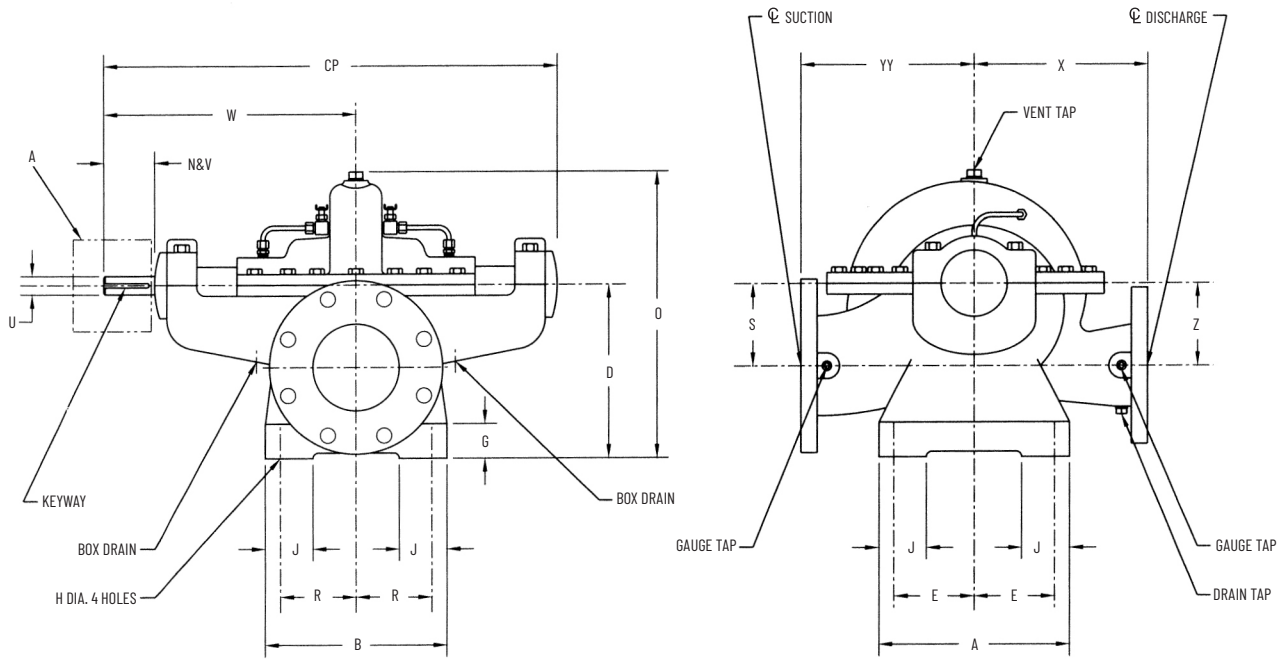


CLOCKWISE ROTATION SHOWN

PUMP	SUCTION	DISCHARGE	A1	A2	B1	B2	D	E1	E2	G	H	J1	J2
20" 5822	24	20	27-1/2	27-1/2	39	39	31	25	25	1-3/4	1-5/8	8	8
24" 5822	30	24	33-3/4	33-3/4	37	37	38	30	30	2	1-5/8	8	8
16" 5823	20	16	24	24	31-1/2	31-1/2	22-1/2	21	21	1-1/2	1-3/8	4-1/2	4-1/2
20" 5823	24	20	31-3/4	32-3/4	35	35	31-1/2	27	28	1-1/2	1-5/8	8	8
20" 5824	30	20	34	34	40	40	40	28	28	2	1-1/4	8	8
36" 5824	42	36	CONSULT FACTORY										

PUMP	K1	K2	N&V	O	R1	R2	U	W	X	Z	CP	YY	KEYWAY
20" 5822	8	8	8-3/8	54-1/2	15	17-1/2	3-3/4	45-1/4	47	21-1/2	82-1/4	44	7/8 X 7/16 X 6
24" 5822	10	10	8-1/4	65-3/4	16	16	3-3/4	47-3/8	48	24	86-3/4	52	7/8 X 7/16 X 8
16" 5823	7	7	11	44-1/4	14-1/2	14-1/2	3-3/8	38-1/2	34	18-1/4	58-1/2	38	7/8 X 7/16 X 8
20" 5823	9	11	8-3/4	54-1/2	15	15	3-3/4	45	48	20	81-1/4	44-1/2	7/8 X 7/16 X 8
20" 5824	12	12	8-7/8	66-1/2	17-1/2	17-1/2	4-1/4	45	42	25	81-1/8	60	1 X 1/2 X 8
36" 5824	CONSULT FACTORY												

Typical Specifications – BASIC PUMP DIMENSIONS 2" THRU 5" 5874



CLOCKWISE ROTATION SHOWN

PUMP	SUCTION	DISCHARGE	A	B	D	E	G	H	J	N&V	O
2" 5874	3	2	9	8	9	3-3/4	1-1/2	5/8	2-3/8	3-5/8	14-5/8
3" 5874	4	3	9	8	10	3-3/4	1-1/2	5/8	2-3/8	3-5/8	16
4" 5874	5	4	11	10-1/2	10	4-5/8	2	5/8	2-3/4	2-13/16	16-1/8
5" 5874	6	5	12	12	12-1/2	5	1-1/2	7/8	3	3-1/2	19

PUMP	R	S	U	W	X	Z	CP	YY	KEYWAY
2" 5874	3-1/4	4-3/4	7/8	13-5/8	7	4-3/4	23-5/8	8	3/16 X 3/32 X 3-3/8
3" 5874	3-1/4	5	7/8	15	8	5	26-3/8	9	3/16 X 3/32 X 3-3/8
4" 5874	4-3/8	4-3/4	1-1/16	14-9/16	10	4-3/4	26-5/16	10	1/4 X 1/8 X 2-5/8
5" 5874	5	5-1/2	1-1/4	18-1/8	11	5-1/2	32-3/4	11-1/2	1/4 X 1/8 X 2-5/8

NOTES:

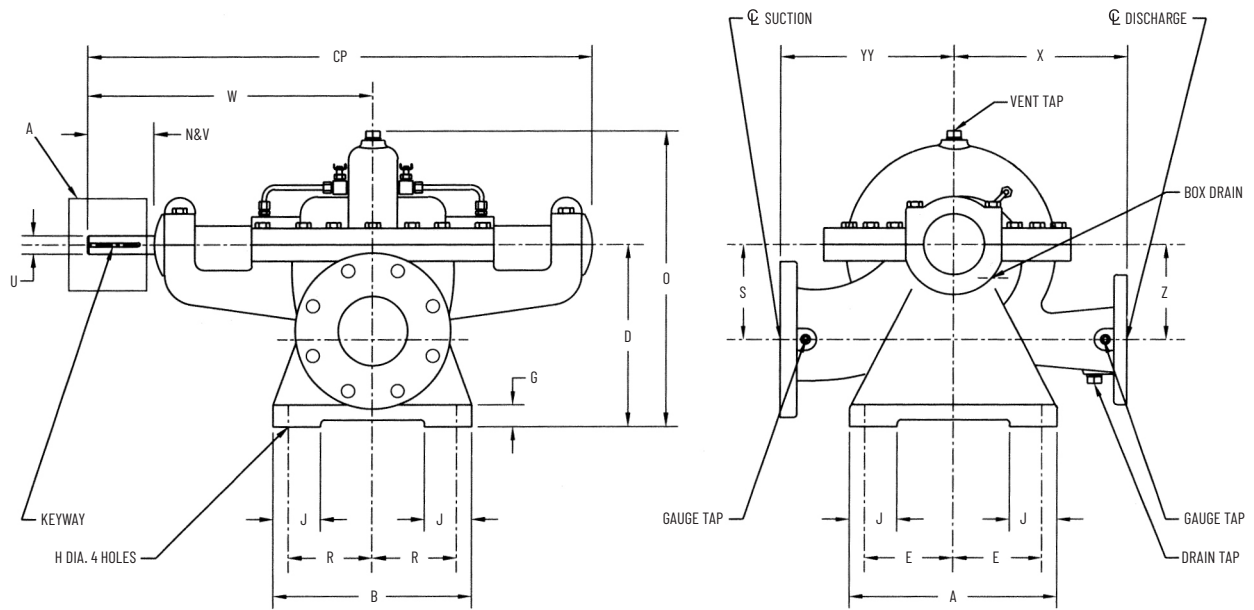
All flanges are standard 125# ANSI drilling. Optional 250# ANSI flanges are available.

All dimensions are in inches unless noted.

Rotation is always viewed from the driver end. For C.C.W. rotation, suction and discharge positions will be on opposite sides of that shown above and dimensions in the end view will be reversed.

Not for construction, installation, or application purposes unless certified. Dimensions shown may vary due to normal manufacturing tolerances.

Typical Specifications – BASIC PUMP DIMENSIONS 2" & 3" 5876



CLOCKWISE ROTATION SHOWN

PUMP	SUCTION	DISCHARGE	A	B	D	E	G	H	J	N&V	O
2" 5876	3	2	11	10	9-3/4	4-5/8	1-1/4	5/8	3	3-13/16	16
3" 5876	4	3	12	11-1/2	10-1/2	5-1/8	2	5/8	2-3/4	3-7/8	17

PUMP	R	S	U	W	X	Z	CP	YY	KEYWAY
2" 5876	4-1/8	5-1/2	7/8	15-1/4	9	5-1/2	26-3/4	9	3/16 X 3/32 X 3-3/8
3" 5876	4-7/8	5-1/2	1-1/16	16-1/2	10	5-1/2	29-3/16	10	1/4 X 1/8 X 3-3/8

NOTES:

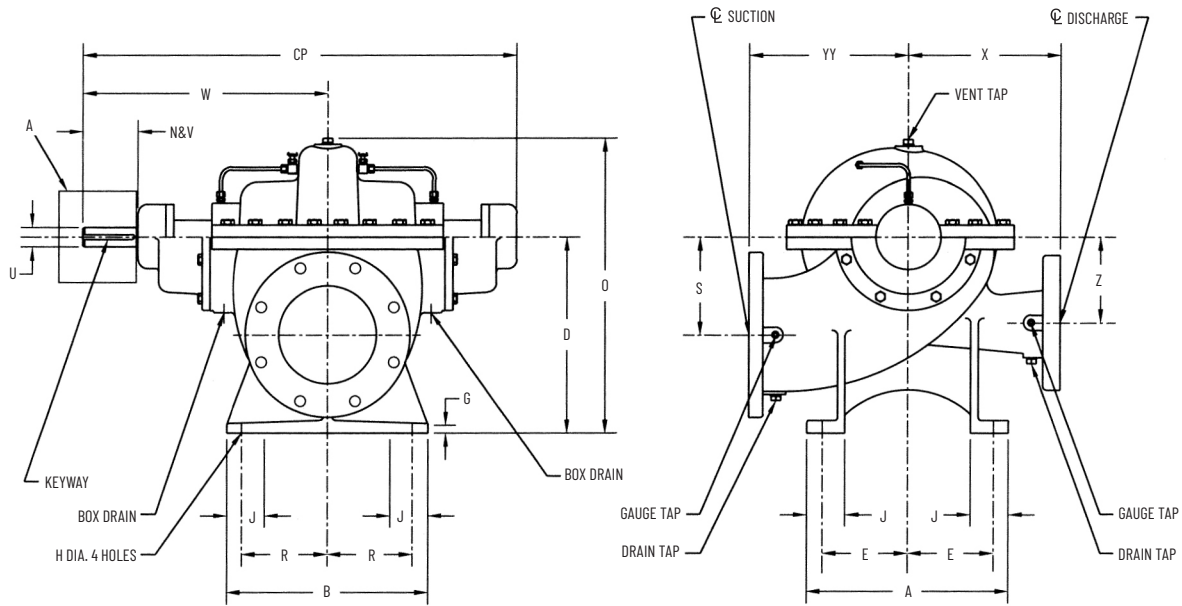
All flanges are standard 125# ANSI drilling. Optional 250# ANSI flanges are available.

All dimensions are in inches unless noted.

Rotation is always viewed from the driver end. For C.C.W. rotation, suction and discharge positions will be on opposite sides of that shown and dimensions in the end view will be reversed.

Not for construction, installation, or application purposes unless certified. Dimensions shown may vary due to normal manufacturing tolerances.

Typical Specifications – BASIC PUMP DIMENSIONS 4" THRU 6" 5876



CLOCKWISE ROTATION SHOWN

PUMP	SUCTION	DISCHARGE	A	B	D	E	G	H	J	N&V	O
4" 5876	6	4	13	14	13	5-1/2	1	7/8	2-3/4	4	20-5/16
5" 5876	8	5	16-1/2	16-1/2	16	7	1	1-1/4	3-1/8	4-5/8	23-5/8
6" 5876	10	6	16-1/2	16-1/2	18	7	3/4	1-1/4	3-1/8	4-5/8	26-7/16

PUMP	R	S	U	W	X	Z	CP	YY	KEYWAY
4" 5876	6	6-1/2	1-1/4	16-7/8	10-1/4	6-1/2	29-13/16	11	1/4 X 1/8 X 2-1/4
5" 5876	7	8	1-5/8	20	12-1/2	7	35-1/2	13	3/8 X 3/16 X 4-3/16
6" 5876	7	9	1-5/8	20-5/8	13	7-1/2	36-3/4	15	3/8 X 3/16 X 4-3/16

NOTES:

Discharge flanges are standard 250# ANSI drilling.

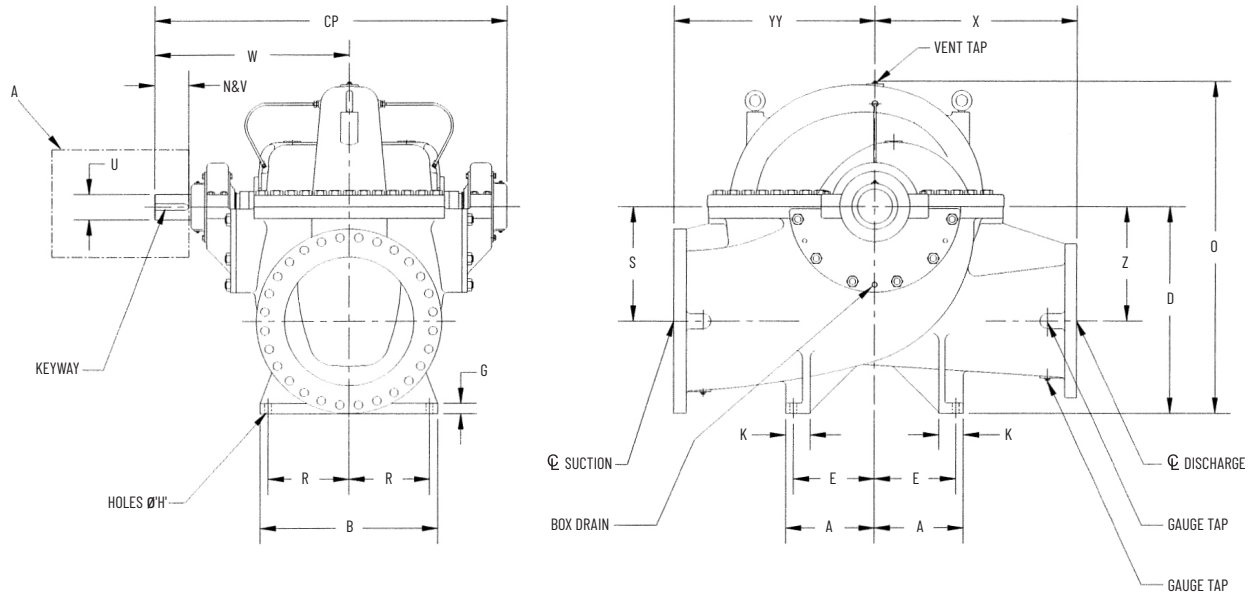
Suction flanges are standard 125# ANSI drilling. Optional 250# ANSI flanges are available.

All dimensions are in inches unless noted.

Rotation is always viewed from the driver end. For C.C.W. rotation, suction and discharge positions will be on opposite sides of that shown above and dimensions in the end view will be reversed.

Not for construction, installation, or application purposes unless certified. Dimensions shown may vary due to normal manufacturing tolerances.

Typical Specifications – BASIC PUMP DIMENSIONS 20" & LARGER



CLOCKWISE ROTATION SHOWN

PUMP	SUCTION	DISCHARGE	A	B	D	E	G	H	K	N&V	O
20" 5826A	24	20	16.5	33.0	39.0	15.0	1.8	1.50	4.63	6.0	62.0
24" 5826A	30	24	20.6	41.2	48.3	18.7	2.0	1.63	5.75	7.0	77.0
30" 5826A	36	30	23.0	46.0	54.0	21.0	2.3	1.63	6.50	8.0	87.0
36" 5826A	42	36	26.3	52.6	61.7	23.9	2.5	1.75	7.34	9.0	98.3

PUMP	SUCTION	DISCHARGE	R	S	U	W	X	CP	YY	Z	KEYWAY
20" 5826A	24	20	15.0	21.4	4.875	36.0	38.0	66.0	38.0	21.4	1.25 X .063
24" 5826A	30	24	18.7	26.7	5.875	45.0	47.0	83.0	47.0	26.7	1.5 X 0.75
30" 5826A	36	30	21.0	30.0	6.875	51.0	53.0	93.0	53.0	30.0	1.5 X 0.75
36" 5826A	42	36	23.9	34.0	7.750	57.5	60.0	106.0	60.0	34.0	1.75 X 0.875

NOTES:

All flanges are standard 125# ANSI drilling. Optional 250# ANSI flanges are available.

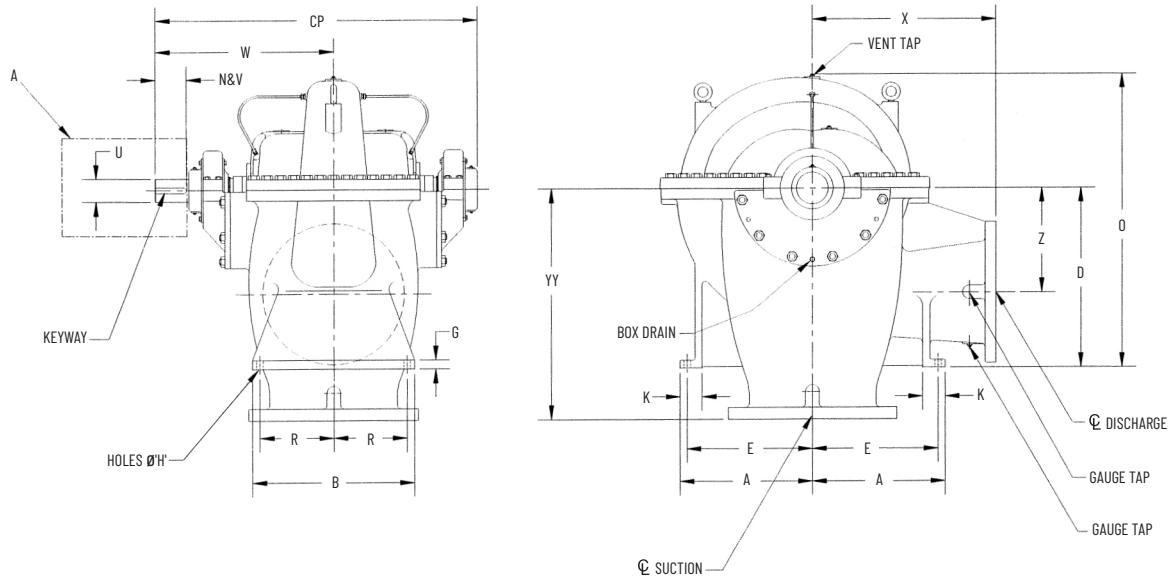
All dimensions are in inches unless noted.

Dimensions reflect usable shaft length.

Rotation is always viewed from the driver end. For C.C.W. rotation, suction and discharge positions will be on opposite sides of that shown and the dimensions in the end view will be reversed.

Not for construction, installation, or application purposes unless certified. Dimensions shown may vary due to normal manufacturing tolerances.

Typical Specifications – BASIC PUMP DIMENSIONS 20" & LARGER



CLOCKWISE ROTATION SHOWN

PUMP	SUCTION	DISCHARGE	A	B	D	E	G	H	K	N&V	O
20" 5826A	24	20	27.2	33.0	37.0	25.5	1.8	1.50	4.63	6.0	60.2
24" 5826A	30	24	34.0	41.2	46.0	32.0	2.0	1.63	5.75	7.0	75.2
30" 5826A	36	30	38.0	46.0	51.5	36.0	2.3	1.63	6.50	8.0	84.2
36" 5826A	42	36	43.4	52.6	58.7	41.1	2.5	1.75	7.34	9.0	96.0

PUMP	SUCTION	DISCHARGE	R	U	W	X	Z	CP	YY	KEYWAY
20" 5826A	24	20	15.0	4.875	36.0	38.0	21.4	66.0	47.2	1.25 X .063
24" 5826A	30	24	18.7	5.875	45.0	47.0	26.7	83.0	59.0	1.5 X 0.75
30" 5826A	36	30	21.0	6.875	51.0	53.0	30.0	93.0	66.0	1.5 X 0.75
36" 5826A	42	36	23.9	7.750	57.5	60.0	34.0	106.0	75.3	1.75 X 0.875

NOTES:

All flanges are standard 125# ANSI drilling. Optional 250# ANSI flanges are available.

All dimensions are in inches unless noted.

Dimensions reflect usable shaft length.

Rotation is always viewed from the driver end. For C.C.W. rotation, suction and discharge positions will be on opposite sides of that shown and the dimensions in the end view will be reversed.

Not for construction, installation, or application purposes unless certified. Dimensions shown may vary due to normal manufacturing tolerances.