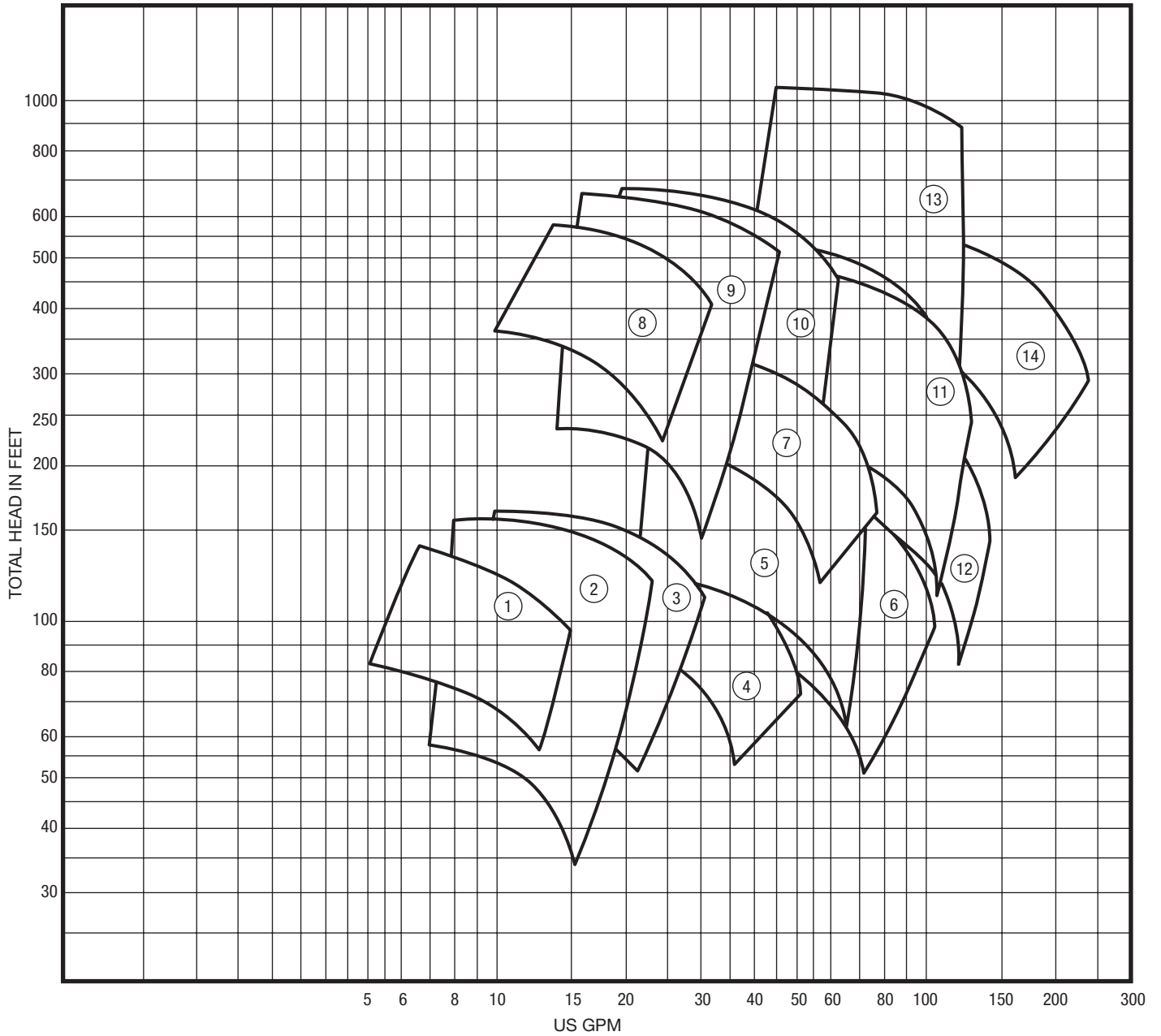


Hydraulic Coverage Chart – 5900 Multi-Stage Horizontal Split Case Pumps Performance



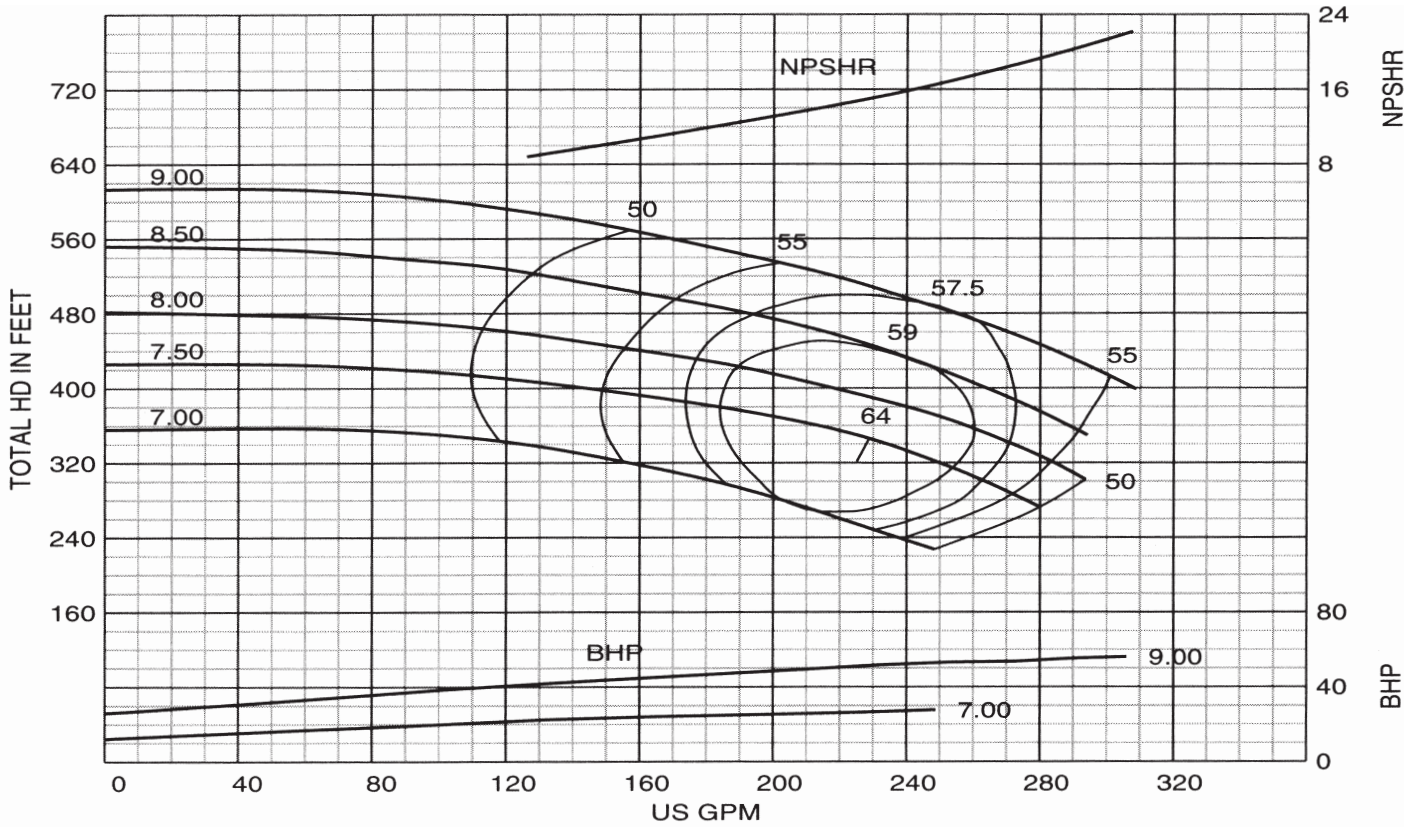
No.	Pump	RPM
1	2" 5972	1750
2	2-1/2" 5972	1760
3	3" 5972	1760
4	3" 5922	1175
5	5" 5972	1775
6	5" 5922	1185
7	3" 5922	1780

No.	Pump	RPM
8	2" 5972	3570
9	2-1/2" 5972	3570
10	3" 5972	3570
11	11" 5922	1785
12	6" 5922	1185
13	5" 5972	3570
14	6" 5922	1785

Performance Curve - 2" 5972

RPM: **3570** SOLIDS: **7/32"**

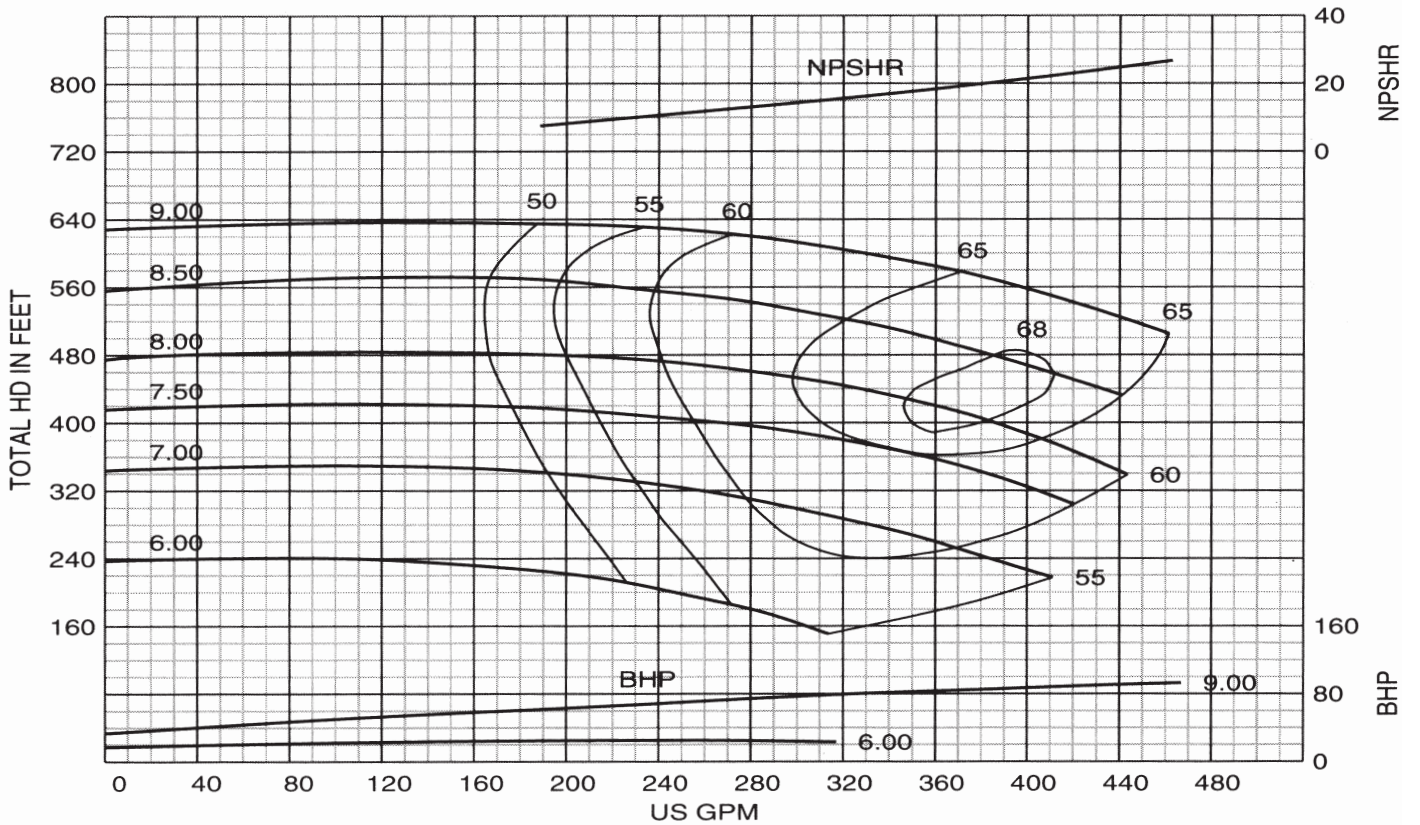
IMPELLER: **K2M1A&B** SUCTION: **3"** INLET: **5.9 in²**



Performance Curve - 2-1/2" 5972

RPM: **3570** SOLIDS: **5/16"**

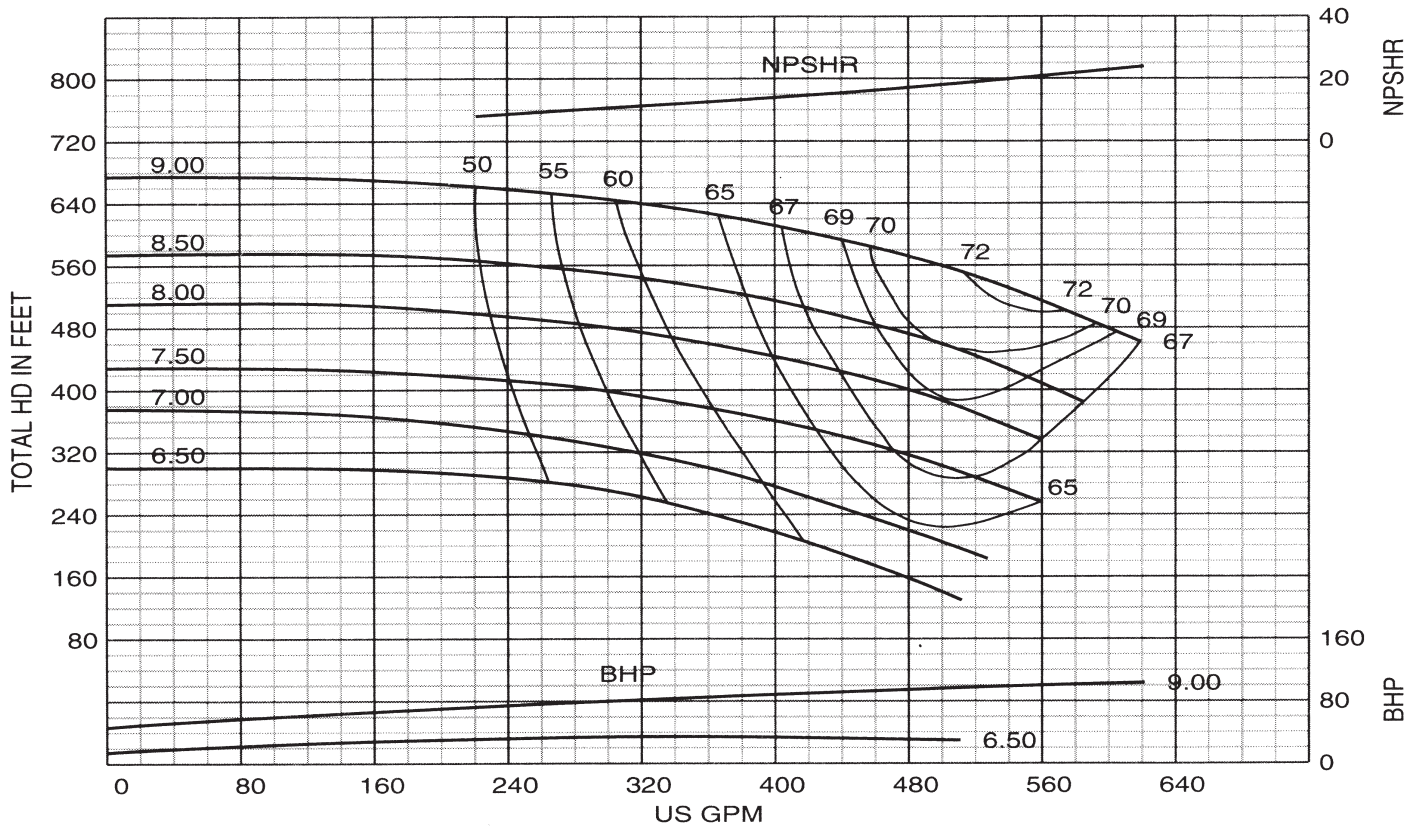
IMPELLER: **K2-1/2M1A&B**, SUCTION: **3"** INLET: **8.6 in²**



Performance Curve – 3" 5972

RPM: **3570** SOLIDS: **1/2"**

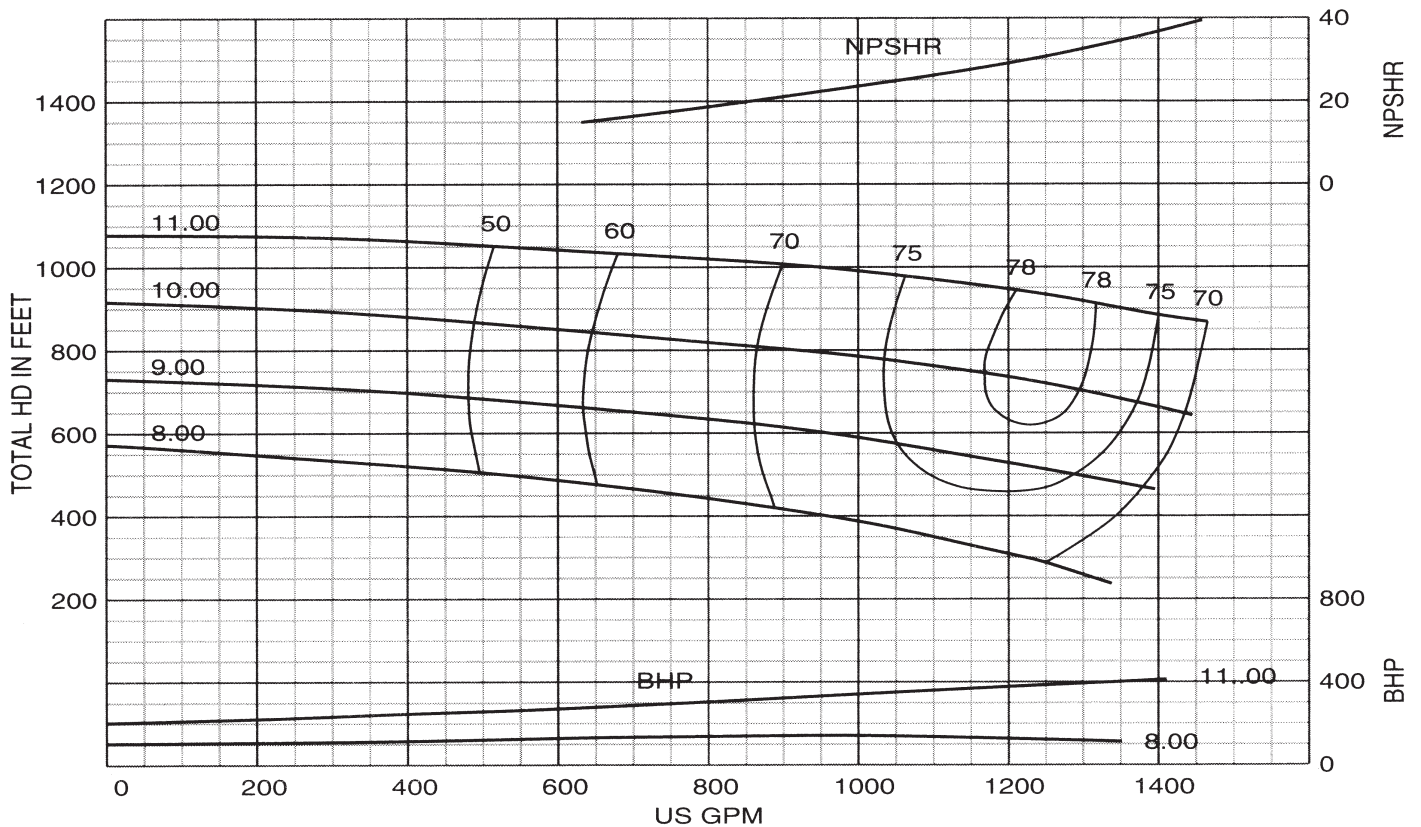
IMPELLER: **K3M1A&B** SUCTION: **4"** INLET: **9.8 in²**



Performance Curve – 5" 5972

RPM: **3570** SOLIDS: **5/8"**

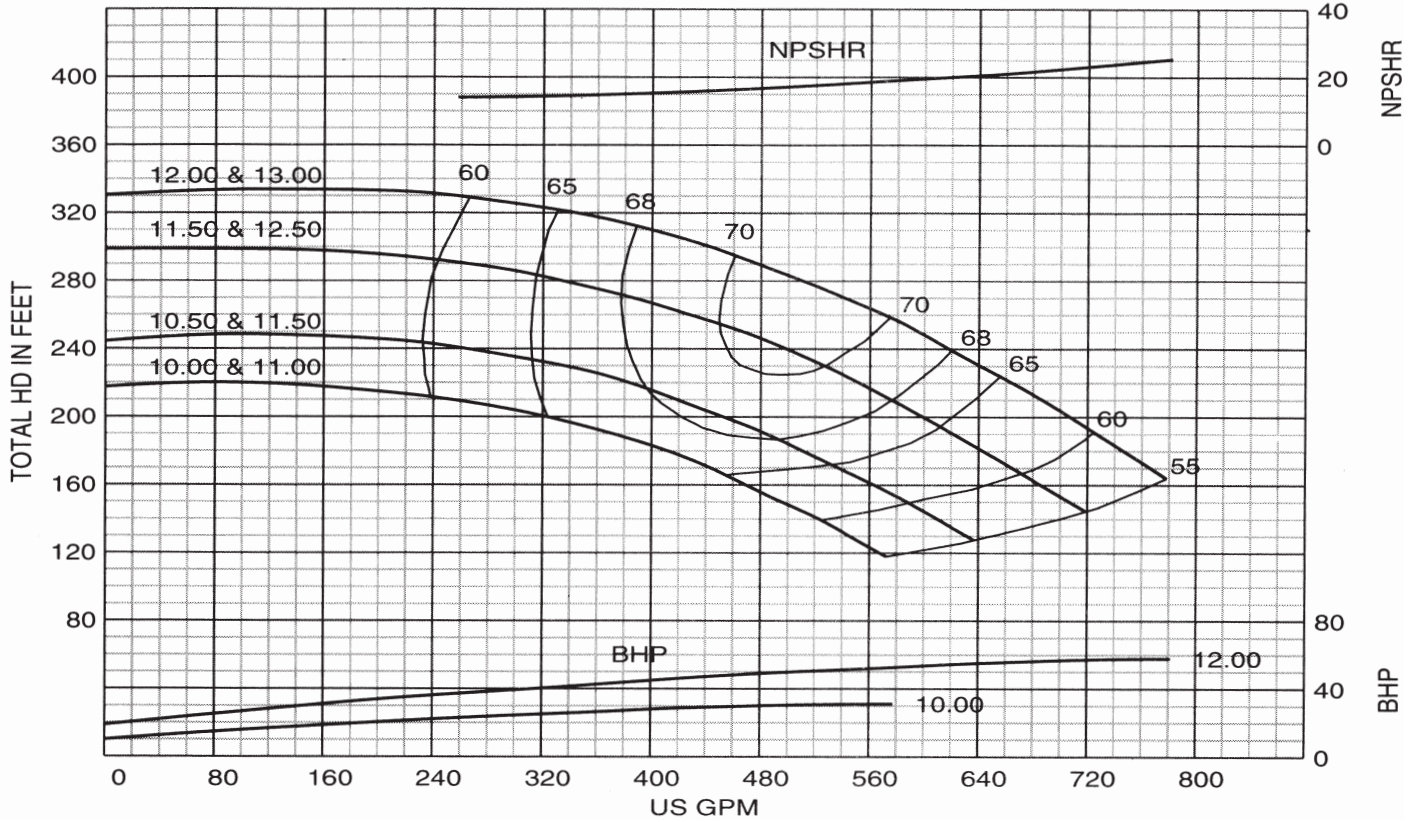
IMPELLER: **K5M1C&D** SUCTION: **8"** INLET: **24.2 in²**



Performance Curve - 3" 5922

RPM: 1780 SOLIDS: 15/32"

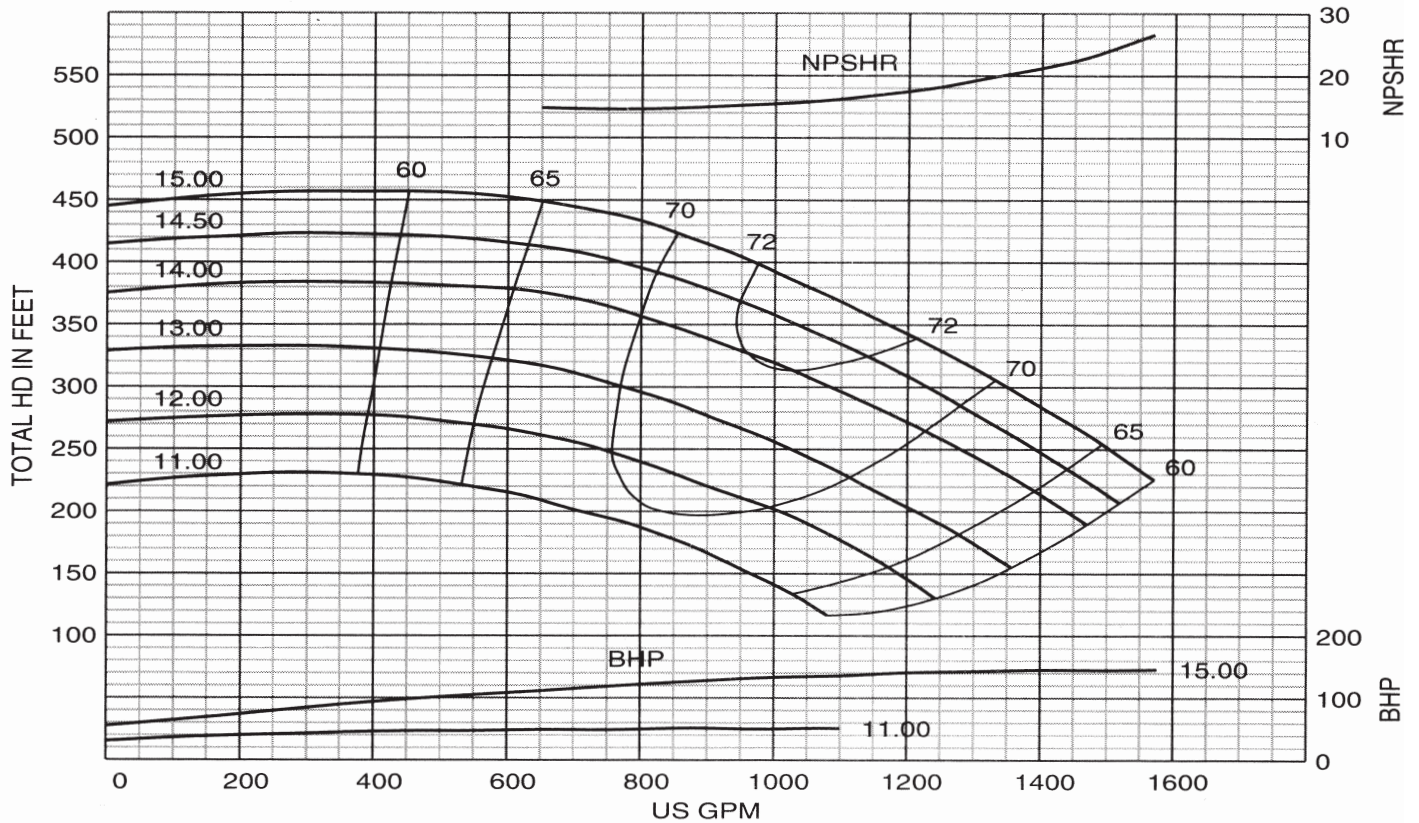
IMPELLER: K3T1A&C SUCTION: 4" INLET: 14.0 in²



Performance Curve - 5" 5922

RPM: 1785 SOLIDS: 5/8"

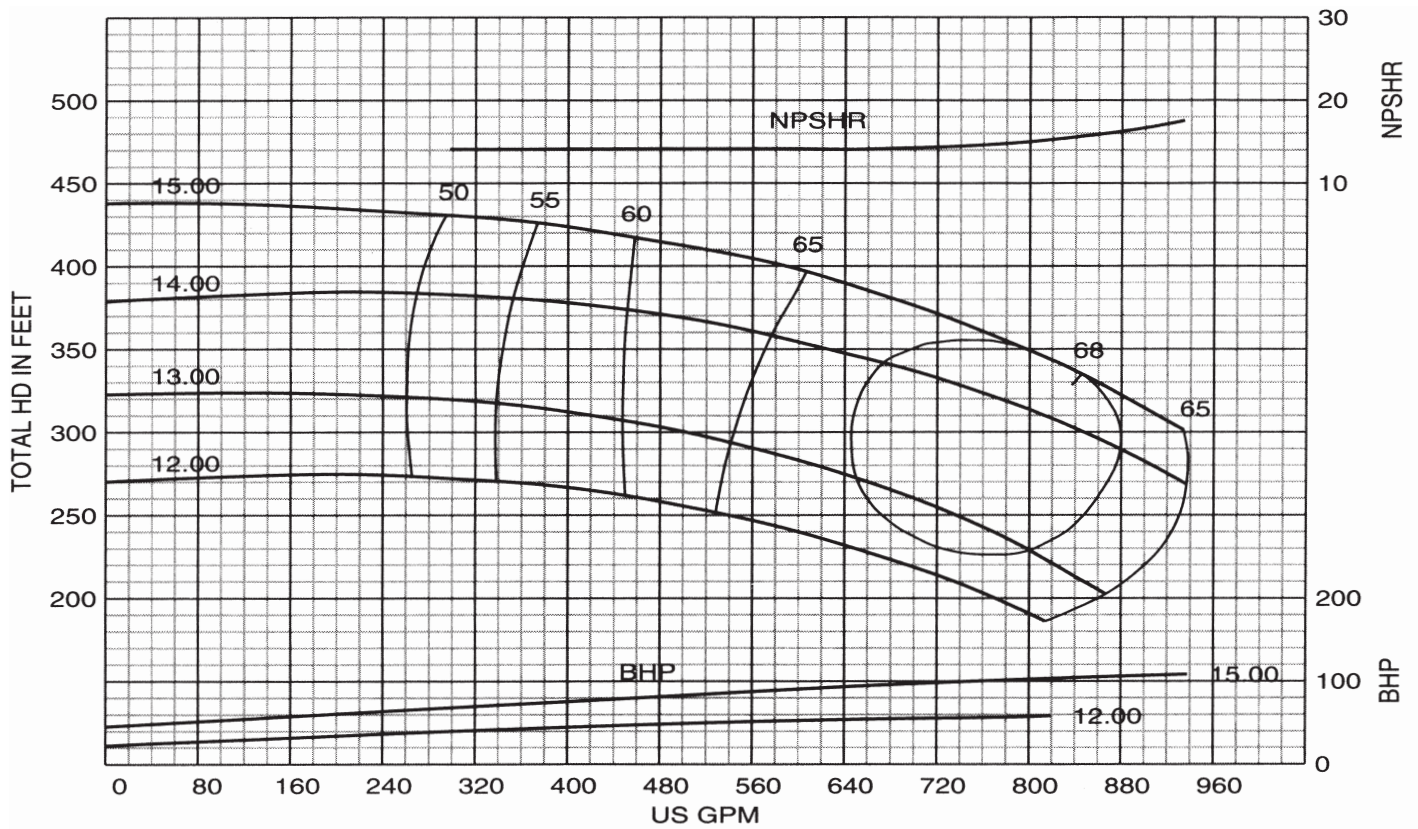
IMPELLER: K5T1A&B SUCTION: 6" INLET: 18.9 in²



Performance Curve – 5" 5922

IMPELLER: K5T1C&D SUCTION: 6" INLET: 24.6 in²

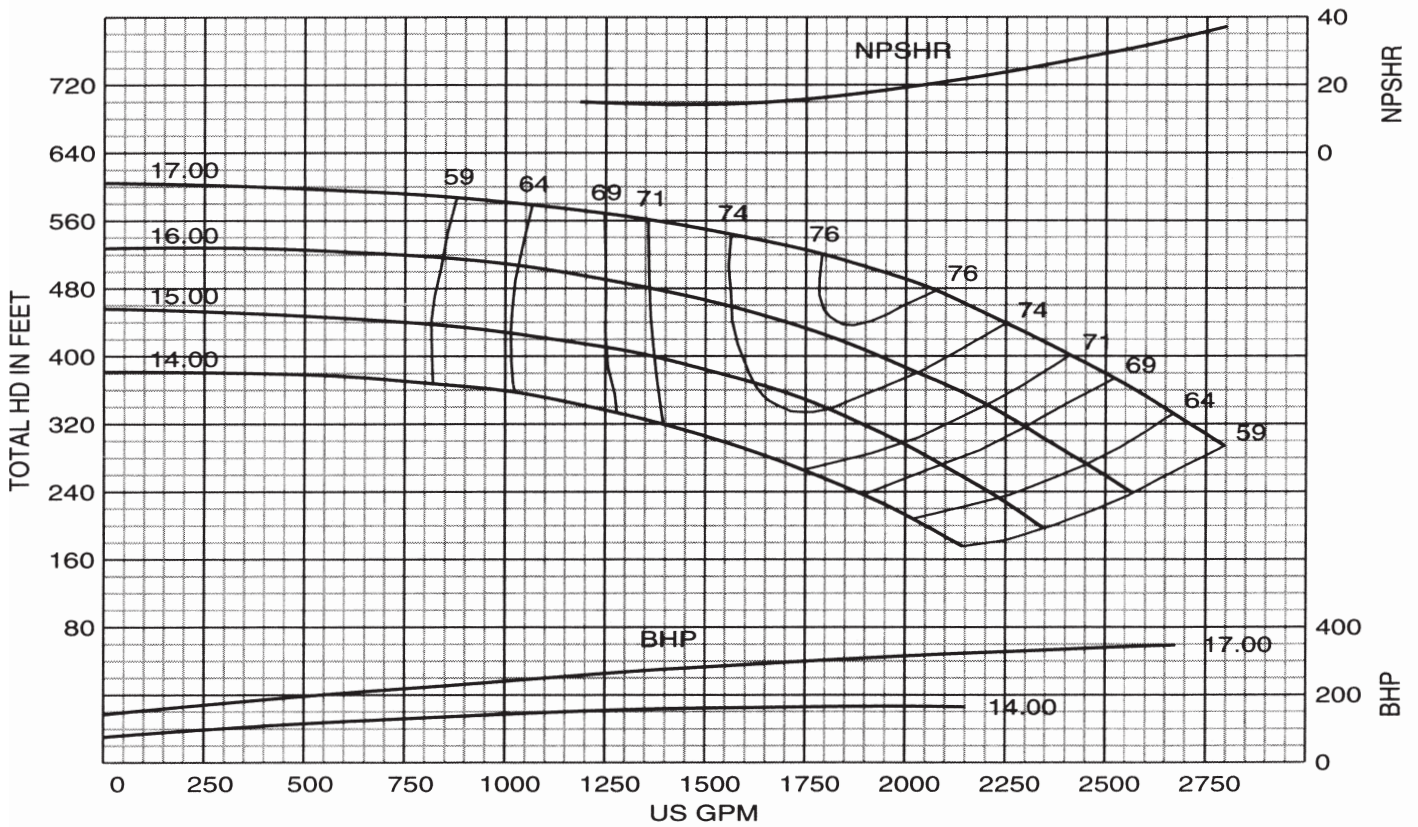
RPM: 1785 SOLIDS: 13/32"



Performance Curve – 6" 5922

IMPELLER: K6T1A&B SUCTION: 8" INLET: 40.6 in²

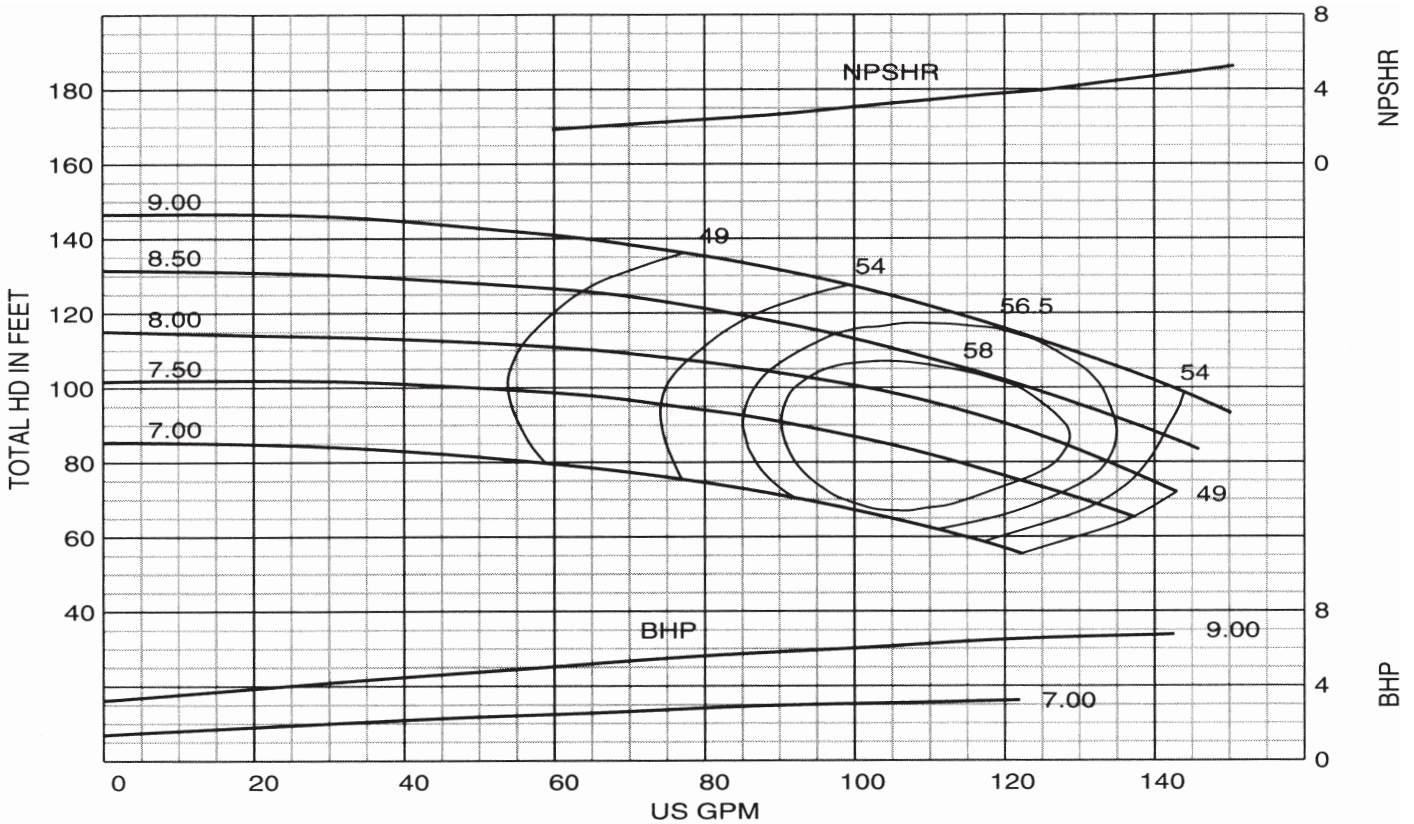
RPM: 1785 SOLIDS: 15/16"



Performance Curve - 2" 5972

IMPELLER: K2M1A&B SUCTION: 3" INLET: 5.9 in²

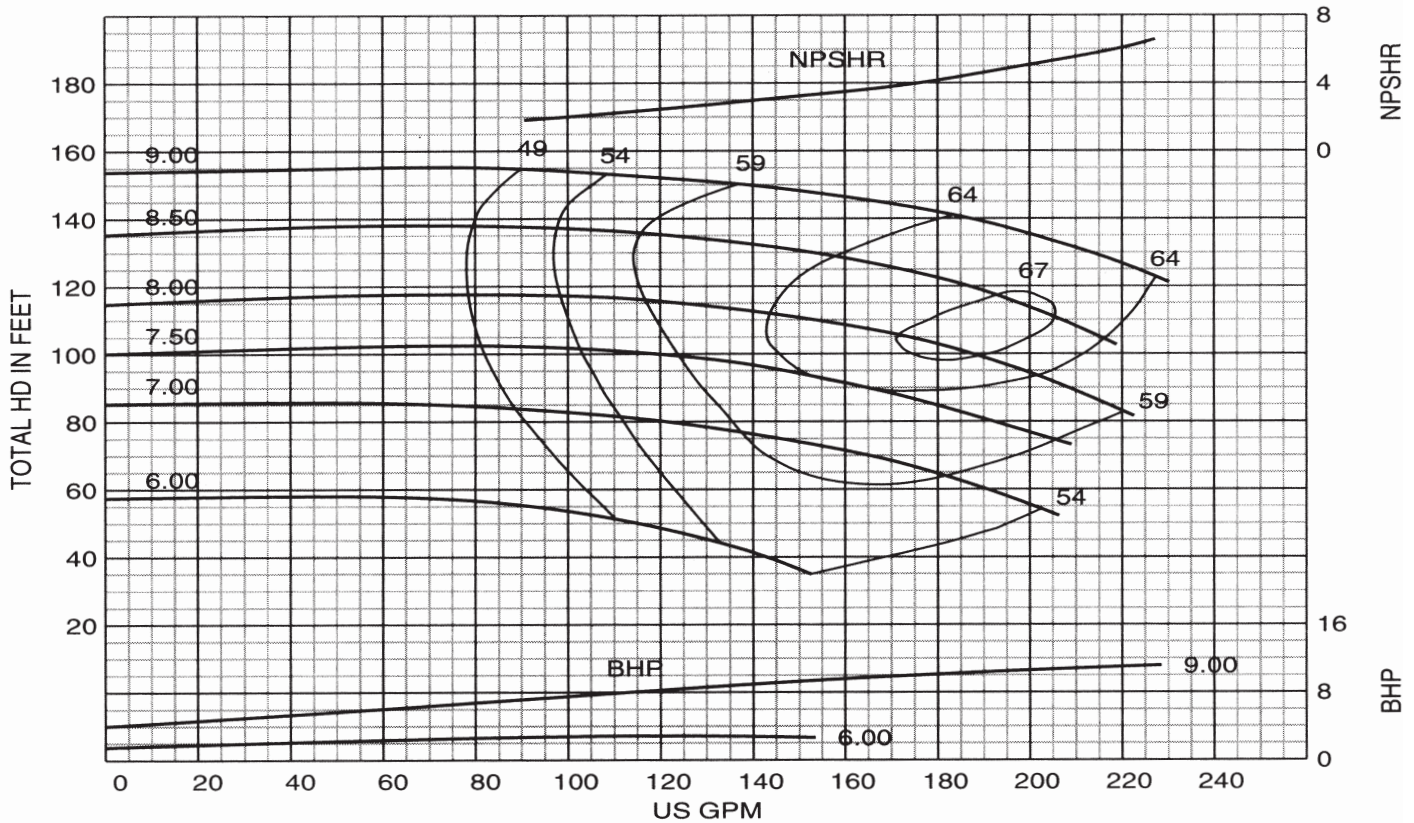
RPM: 1750 SOLIDS: 7/32"



Performance Curve - 2-1/2" 5972

IMPELLER: K2-1/2M1A&B SUCTION: 3" INLET: 8.6 in²

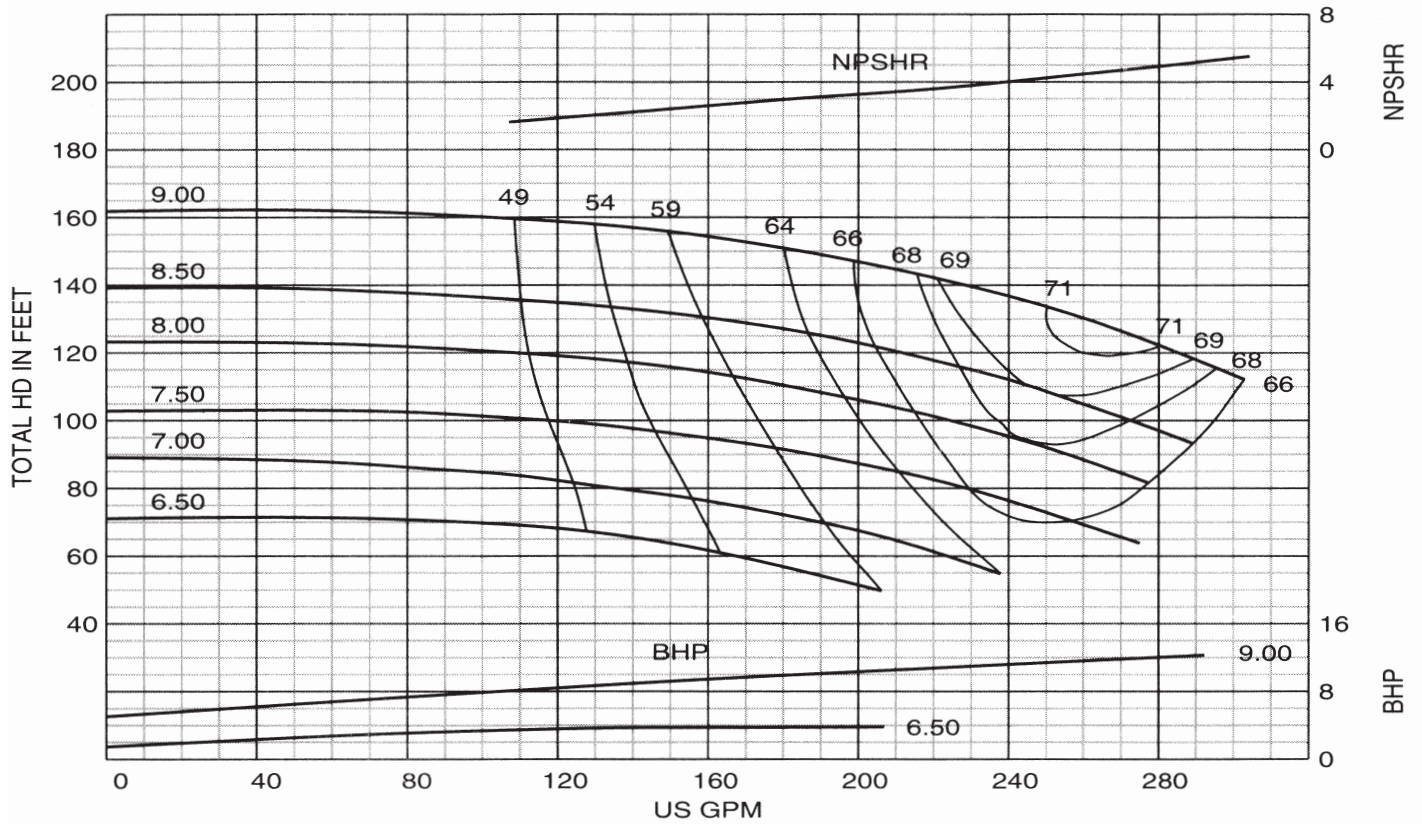
RPM: 1760 SOLIDS: 5/16"



Performance Curve – 3" 5972

IMPELLER: **K3M1A&B** SUCTION: **4"** INLET: **9.8 in²**

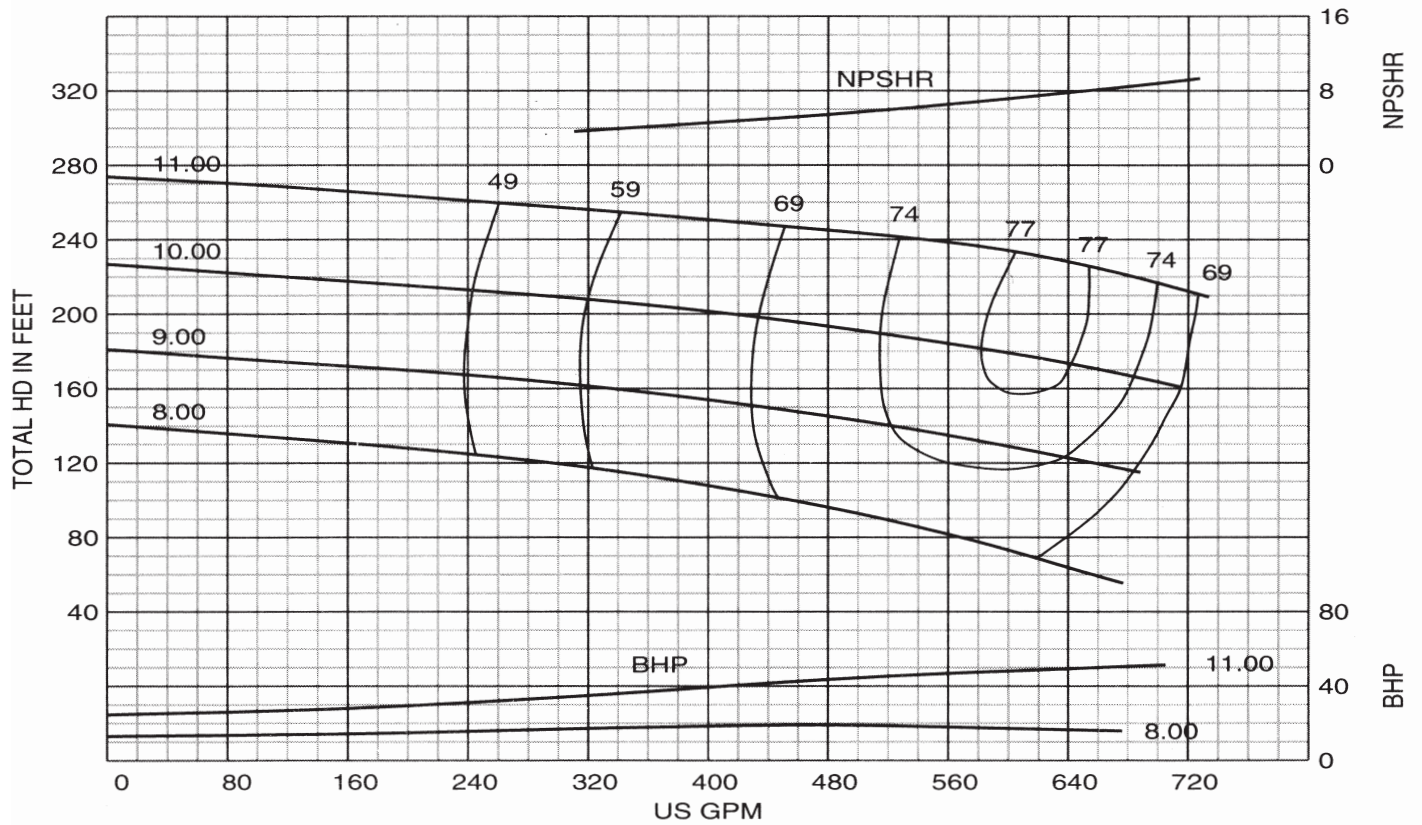
RPM: **1760** SOLIDS: **1/2"**



Performance Curve – 5" 5972

IMPELLER: **K5M1C&D** SUCTION: **8"** INLET: **24.2 in²**

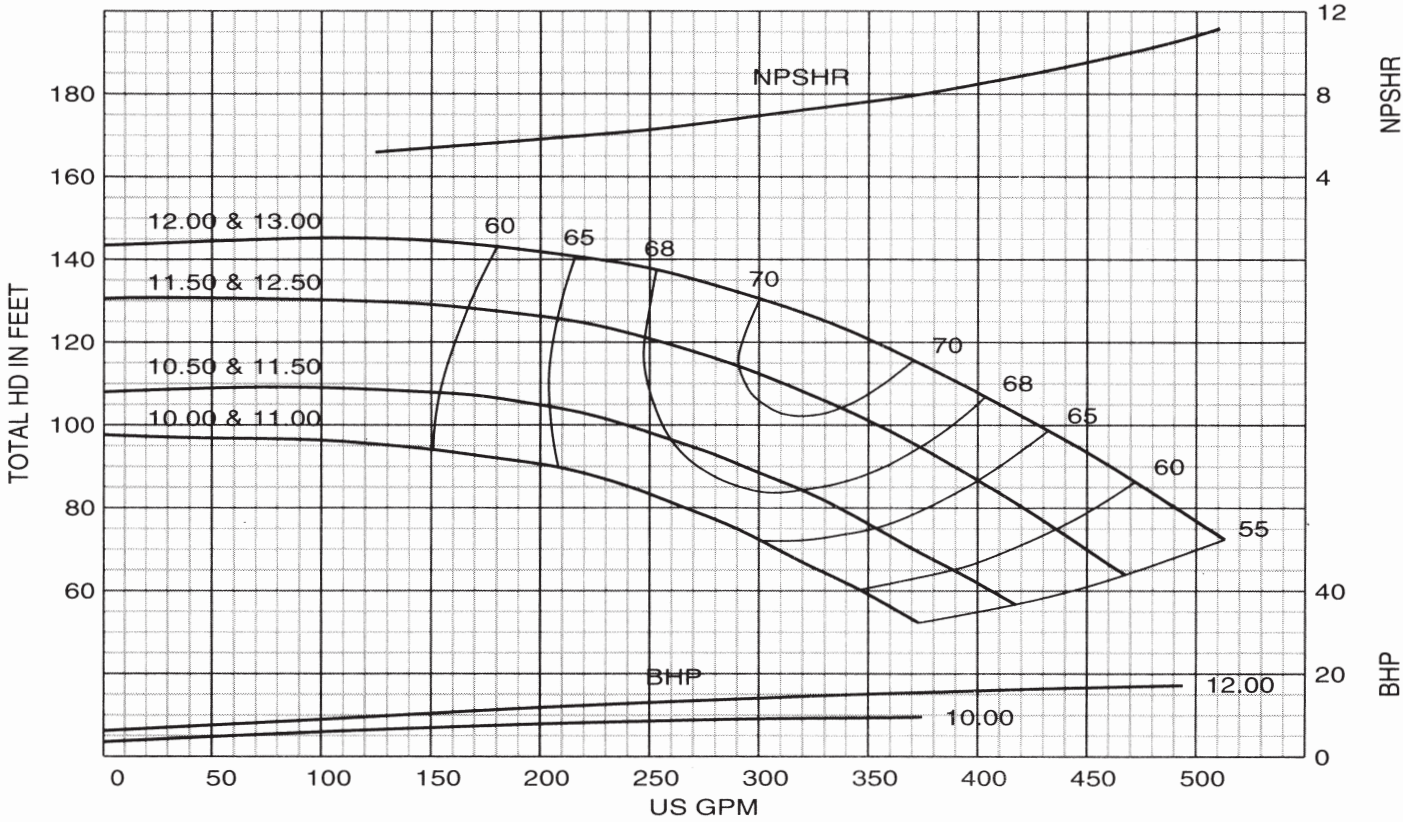
RPM: **1775** SOLIDS: **5/8"**



Performance Curve - 3" 5922

RPM: 1175 SOLIDS: 15/32"

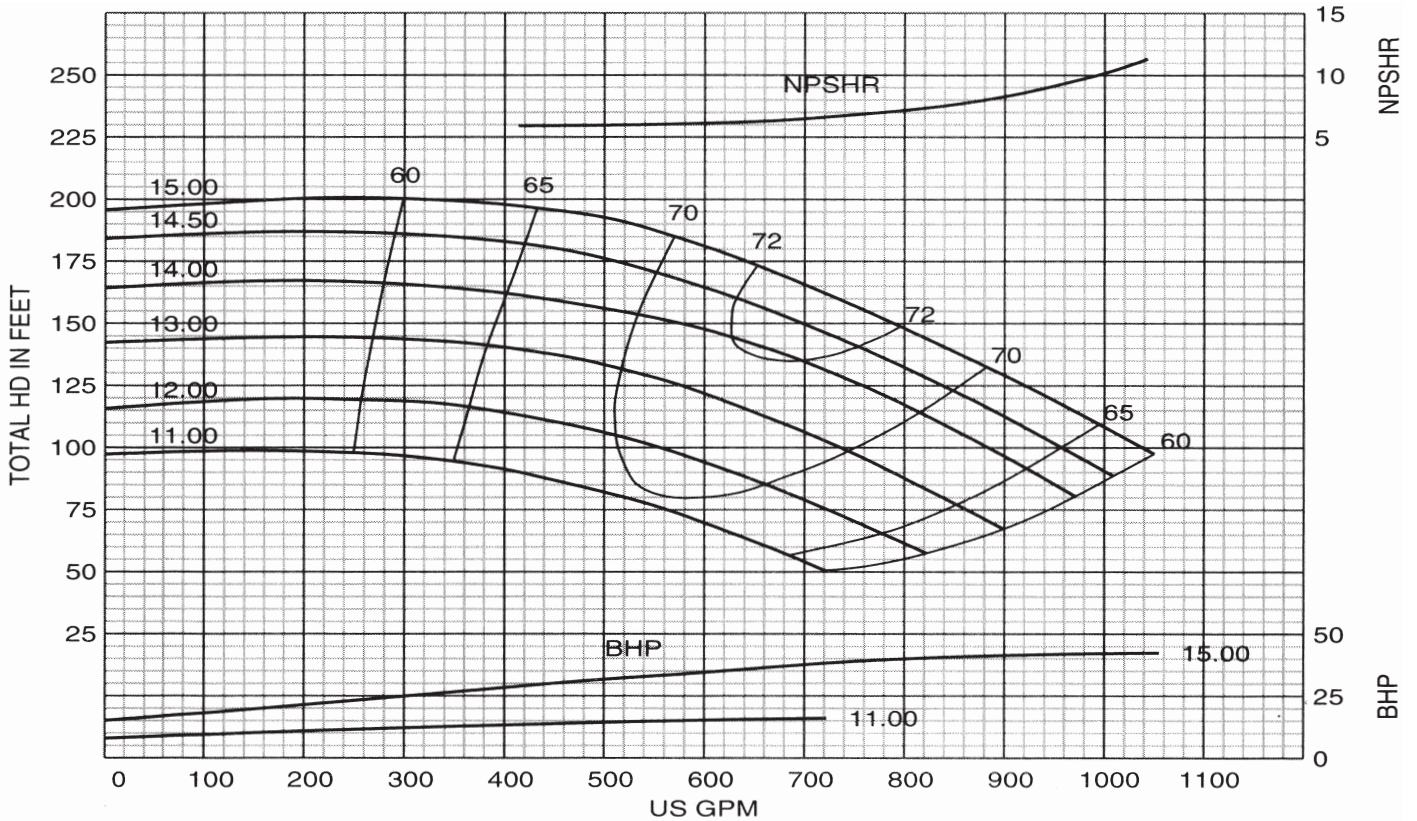
IMPELLER: K3T1A&C SUCTION: 4" INLET: 14.0 in²



Performance Curve - 5" 5922

RPM: 1185 SOLIDS: 5/8"

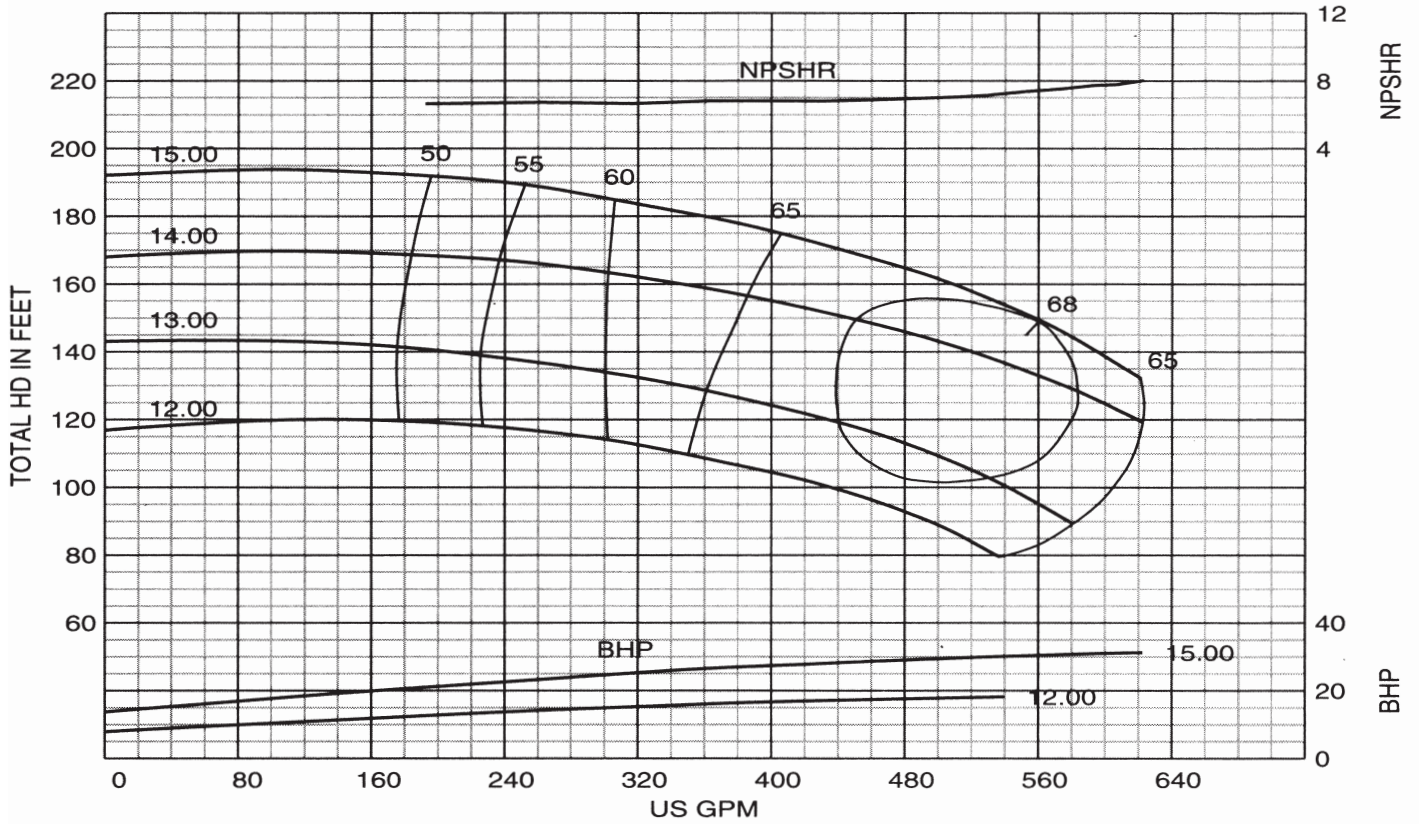
IMPELLER: K5T1A&B SUCTION: 6" INLET: 18.9 in²



Performance Curve – 5" 5922

RPM: 1180 SOLIDS: 13/32"

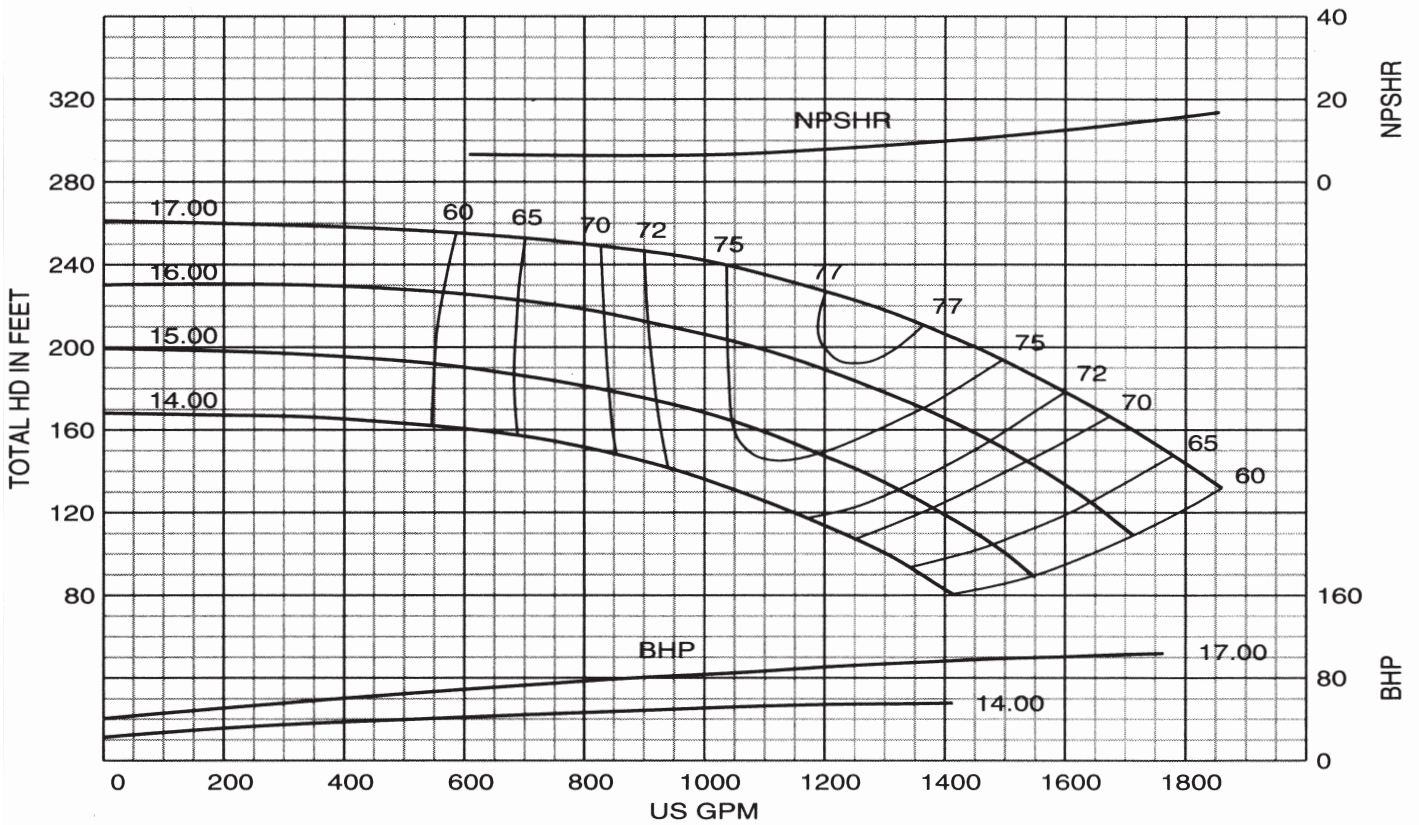
IMPELLER: K5T1C&D SUCTION: 6" INLET: 24.6 in²



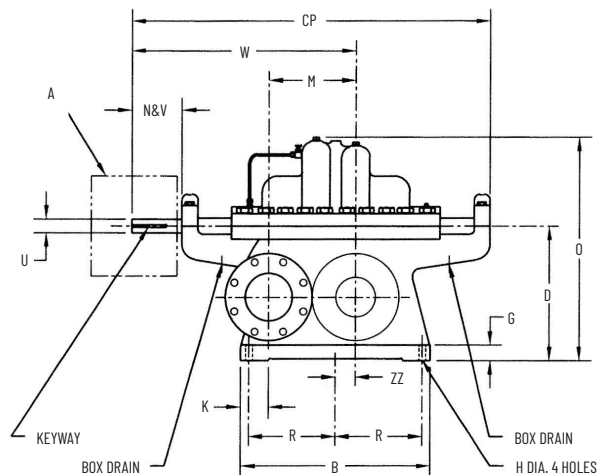
Performance Curve – 6" 5922

RPM: 1185 SOLIDS: 15/16"

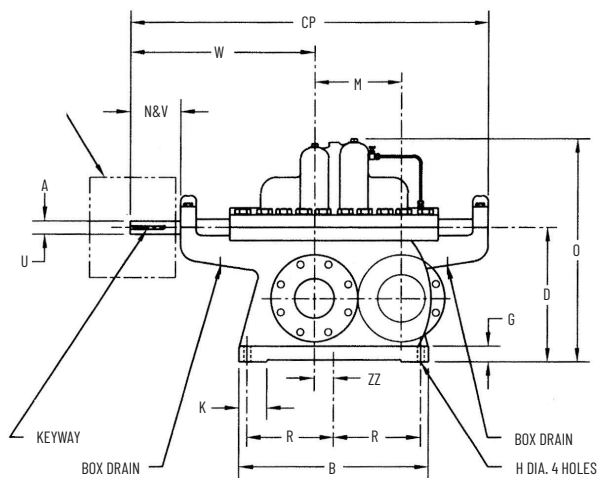
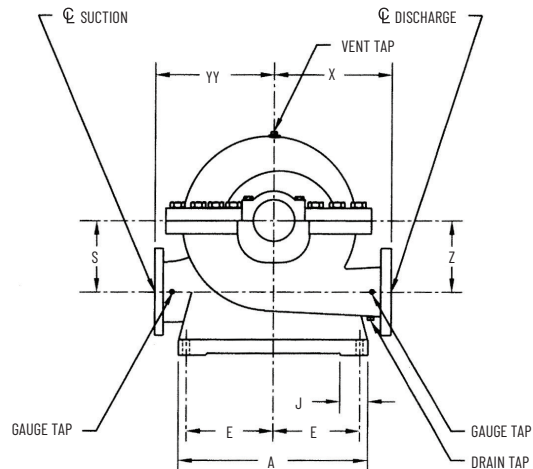
IMPELLER: K6T1A&B SUCTION: 8" INLET: 40.6 in²



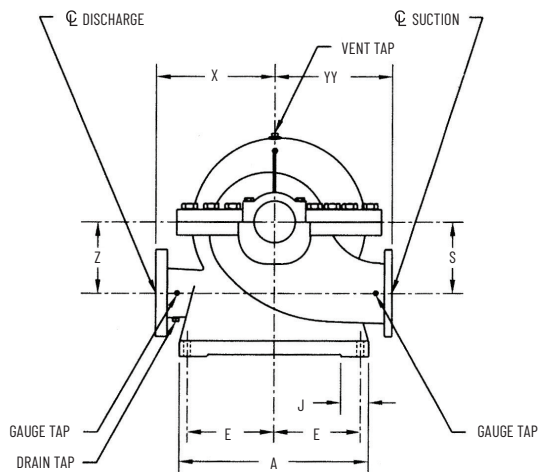
Dimensional Data – BASIC PUMP DIMENSIONS 5922



CLOCKWISE



COUNTERCLOCKWISE



PUMP	SUCTION	DISCH	A	B	D	E	G	H	J	K	M	N & V	O	R	S	U	W (CW)	W (CCW)	X	Z	CP	YY	ZZ	KEYWAY
3" 5922	4	3	16	20	13	7	1-3/4	7/8	3-1/4	3-1/4	8-5/8	3-5/8	21-3/4	9	7-7/16	1-1/4	21-3/4	18	11	7-7/16	37-5/16	13	1-7/8	3/8 X 3/16
5" 5922	6	5	20	24	17	9	2	7/8	3-1/2	3-1/2	11	5-7/16	27-3/4	11	9	1-11/16	28-3/8	23-3/8	15	9	46-7/8	15	2-1/2	3/8 X 3/16
6" 5922	8	6	22	27	17-1/2	9-3/4	2-1/2	1-1/8	3	4-1/2	13	4-5/8	35-3/8	12	9	2-1/4	31-5/8	25-1/8	16-1/2	10-1/2	52-1/2	16-1/2	3-1/4	1/2 X 1/4

NOTES:

Suction flanges are standard 125# ANSI drilling. Optional 250# ANSI flanges are available.

Discharge flanges are standard 250# ANSI drilling.

All dimensions are in inches unless noted.

Rotation is always viewed from the driver end. For C.C.W. rotation, suction and discharge positions will be on opposite sides of that shown and dimensions in the end view will be reversed.

Not for construction, installation, or application purposes unless certified. Dimensions shown may vary due to normal manufacturing tolerances.