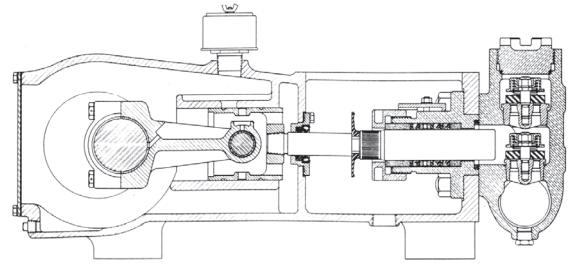


APLEX SERIES TRIPLEX PLUNGER PUMP

SC-95



INTERMITTENT DUTY ONLY

| | |
|----------------------------|---------------------|
| NO. OF PLUNGERS | 3 |
| MAXIMUM RATED SPEED | 550 RPM |
| STROKE LENGTH | 3.00 in (76.2 mm) |
| MAXIMUM RATED POWER | 132 HP (98.3 KW) |
| MAXIMUM ROD LOAD | 9,504 lb (42.19 kN) |
| WEIGHT | 920 lbs. |

ENGLISH UNITS SC-95

| PLUNGER SIZE IN. | STUFFING BOX BORE IN. | MAX PSI. | * GALLON PER/REV. | 200 RPM US GPM | 250 RPM US GPM | 350 RPM US GPM | 450 RPM US GPM | 550 RPM US GPM |
|---------------------|-----------------------|----------|-------------------|----------------|----------------|----------------|----------------|----------------|
| 2.500 | 3.250 | 1936 | 0.191 | 38.2 | 47.8 | 66.9 | 86.1 | 105.2 |
| 2.375 | 3.250 | 2145 | 0.173 | 34.5 | 43.2 | 60.4 | 77.7 | 94.9 |
| 2.250 | 3.250 | 2390 | 0.155 | 31.0 | 38.7 | 54.2 | 69.7 | 85.2 |
| 2.125 | 2.875 | 2680 | 0.138 | 27.6 | 34.5 | 48.4 | 62.2 | 76.0 |
| 2.000 | 2.875 | 3025 | 0.122 | 24.5 | 30.6 | 42.8 | 55.1 | 67.3 |
| 1.875 | 2.875 | 3441 | 0.108 | 21.5 | 26.9 | 37.7 | 48.4 | 59.2 |
| HP REQUIRED @ RPM** | | | | 48.0 | 60.0 | 84.0 | 108.1 | 132.0 |

METRIC UNITS SC-95

| PLUNGER SIZE MM | STUFFING BOX BORE MM | MAX PRESS. BAR | *LITER PER/REV. | 200 RPM LPM | 250 RPM LPM | 350 RPM LPM | 450 RPM LPM | 550 RPM LPM |
|---------------------|----------------------|----------------|-----------------|-------------|-------------|-------------|-------------|-------------|
| 63.5 | 82.6 | 133.5 | 0.724 | 144.8 | 181.0 | 253.4 | 325.8 | 398.3 |
| 60.3 | 82.6 | 147.9 | 0.653 | 130.7 | 163.3 | 228.7 | 294.0 | 359.4 |
| 57.2 | 82.6 | 164.8 | 0.586 | 117.3 | 146.6 | 205.2 | 263.9 | 322.5 |
| 54.0 | 73.0 | 184.8 | 0.523 | 104.6 | 130.8 | 183.1 | 235.4 | 287.7 |
| 50.8 | 73.0 | 208.6 | 0.463 | 92.7 | 115.8 | 162.2 | 208.5 | 254.8 |
| 47.6 | 73.0 | 237.2 | 0.407 | 81.5 | 101.8 | 142.6 | 183.3 | 224.0 |
| KW REQUIRED @ RPM** | | | | 35.8 | 44.7 | 62.6 | 80.6 | 98.4 |

*Displacement based on 100% Volumetric Efficiency

Power based on 90% Mechanical Efficiency

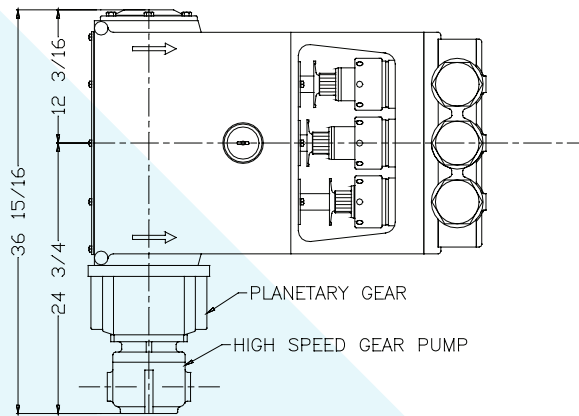
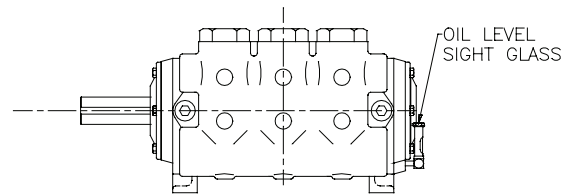
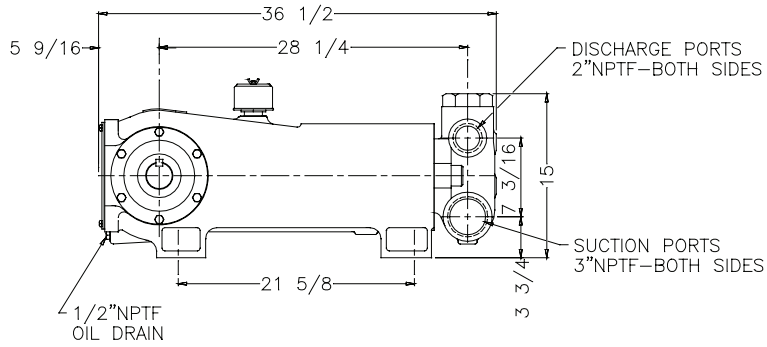
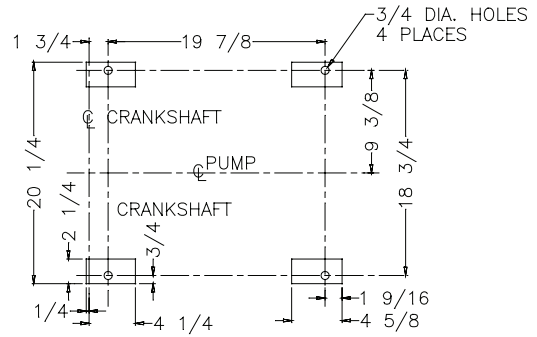
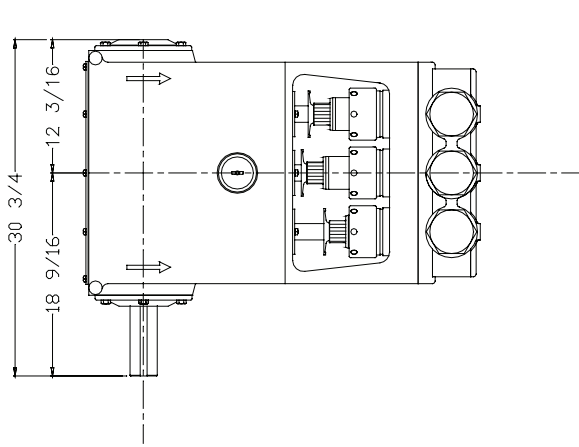
$$I_{hp} = \frac{USGPM \times (\text{Discharge psig} - 1/2 \text{ Suction psig})}{1542}$$

$$I_{kW} = \frac{M^3/HR \times (\text{Discharge Bar} - 1/2 \text{ Suction Bar})}{32.4}$$

$$PUMP \text{ RPM} = \frac{USGPM \text{ Desired}}{USGPM \text{ per Revolution of Selected Plunger}}$$

$$PUMP \text{ RPM} = \frac{M^3/HR \text{ Desired}}{M^3 \text{ per Revolution of Selected Plunger}}$$

SC-95 TRIPLEX PUMP



ENGINEERING DATA SC-95 TRIPLEX PUMP

POWER END ENGINEERING DATA

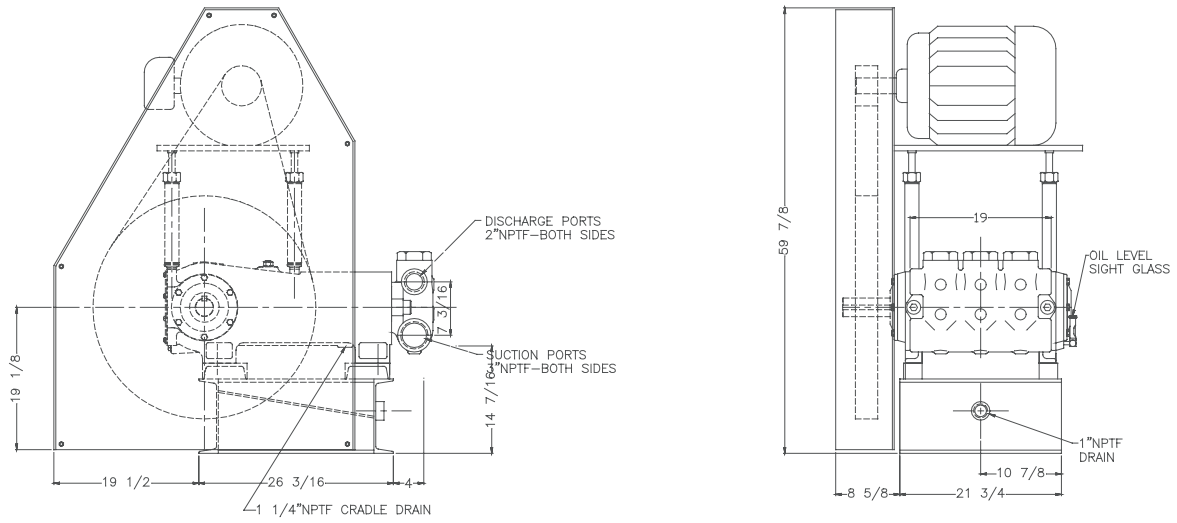
| | |
|---|------------------------|
| Max. Input Power @ Speed | 132 HP @ 550 rpm |
| Rated Plunger Load | 9,504 lb. |
| Minimum Speed | 100 rpm |
| Oil Capacity | 9 U.S. Qrts |
| Power End Oiling System | Splash |
| Power Frame, One-Piece | Cast Iron |
| Crosshead, Full Cylindrical | Cast Iron |
| Crosshead, Dia. x Length | 4 3/4 x 5 in. |
| Crankshaft | Ductile Iron |
| Crankshaft Diameters: | |
| At Tapered Roller Bearings | 2 5/8 in. |
| At Crankpin Bearings, Dia. x Length..... | 3 1/2 x 3 in. |
| Crosshead (Wrist) Pin, Case-Hardened and Ground | AISI 8620 [®] |
| Main Bearings, Tapered Roller | Timken [®] |
| Crankpin Bearings, Precision Automotive | Babbitt-Lined |
| Extension (Pony) Rod | 17-4 PH S.ST. |
| Connecting Rod, Automotive Type | Ductile Iron |
| Average Crosshead Speed @ 550 rpm | 275 fpm |
| Minimum Life Expectancy, Main Bearings, L ₁₀ | 18,000+ hr. |

LIQUID END ENGINEERING DATA

| | |
|--|--|
| Max. Working Pressure | 3,500 psi |
| Hydrostatic Test | 5,250 psi |
| Liquid End Materials, A.S.T.M. | |
| Ductile Iron | A536 80-55-06 |
| Nickel Aluminum Bronze | B148 C955 |
| Carbon Steel | Various Grades |
| Stainless Steel..... | Various Grades |
| Plunger Type Rokide [®] (Chromium Oxide-Coated) | Tungsten Carbide, ceramic and other types also available |
| Stuffing boxes, Field-Removable and Replaceable..... | carbon steel, stainless steel, Aluminum Bronze |
| Packing Types Available: | |
| Gland-loaded, Non-Adjustable..... | Style 838 |
| Spring-loaded, Braided Teflon [®] & Kevlar [®] | Style 0140, 0141, 8921K |
| Spring-loaded, cup-type | Style 120X |
| Valve Cover and Cyl. Head Plugs | same as fluid end |
| Seals, Stuffing Boxes, Valve Covers | Nitrile |
| Valve Type, Abrasion Resistant Wing Guided | 17-4PH S.ST. |
| Disc Style | 17-4PH SST, Acetal [®] |
| Valve Spring Material | Inconel [®] |
| Valve Seat, Liquid Passage Area | 2.40 sq.in. |
| Avg. Liquid Velocity, with 2 1/2" plunger @ 550 RPM | |
| thru Valve..... | 9.4 fps |
| thru Suction Manifold | 4.8 fps |
| thru Discharge Manifold..... | 10.7 fps |

MYERS APLEX SERIES SC-95 TRIPLEX PLUNGER PUMP

SC-95 TRIPLEX PUMP



1101 MYERS PARKWAY,
ASHLAND, OH 44805
USA
Ph: 855-274-8948
Orders Fax: 888-606-5484

490 Pinebush Road, Unit 4
Cambridge, Ontario N1T 0A5
Canada
Ph: 800.363.7867
Orders Fax: 888-606-5484

pentair.com

All indicated Pentair trademarks and logos are property of Pentair. Third party registered and unregistered trademarks and logos are the property of their respective owners. Because we are continuously improving our products and services, Pentair reserves the right to change specifications without prior notice. Pentair is an equal opportunity employer.

Inconel® is a registered trademark of the Special Metals family of companies.

Timken® is a registered trademark of The Timken Company. Rokide® is a registered trademark of Saint-Gobain Abrasives, Inc.

©2021 Pentair. All Rights Reserved.

MA3009 (10/01/2021)