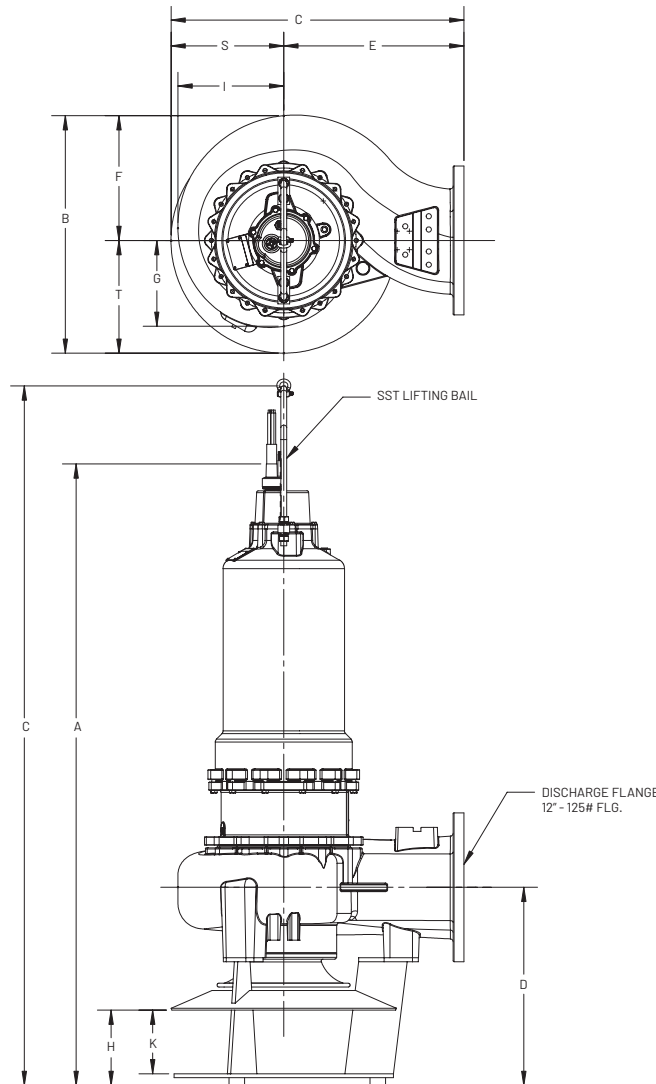


SUBMERSIBLE SOLIDS HANDLING PUMPS

12VL(X)P FRAME SIZE: 320



MODEL	A	B	C	D	E	F	G	H	I	J	K	S	T
12VL(X)P	79-3/8	30-1/16	37	25-5/16	23	16-1/16	11-3/16	9-5/8	13-9/16	89-3/8	8-1/8	14	14

All measurements in inches.

NOTE: CASTING DIMENSIONS MAY VARY ± 1/8"

1101 Myers Parkway
Ashland, OH 44805
Ph: 855.274.8947
Fx: 800.426.9446

490 Pinebush Rd., Unit 4
Cambridge, Ontario N1T 0A5, Canada
Ph: 800.363.7867
Fx: 888.606.5484

pentair.com