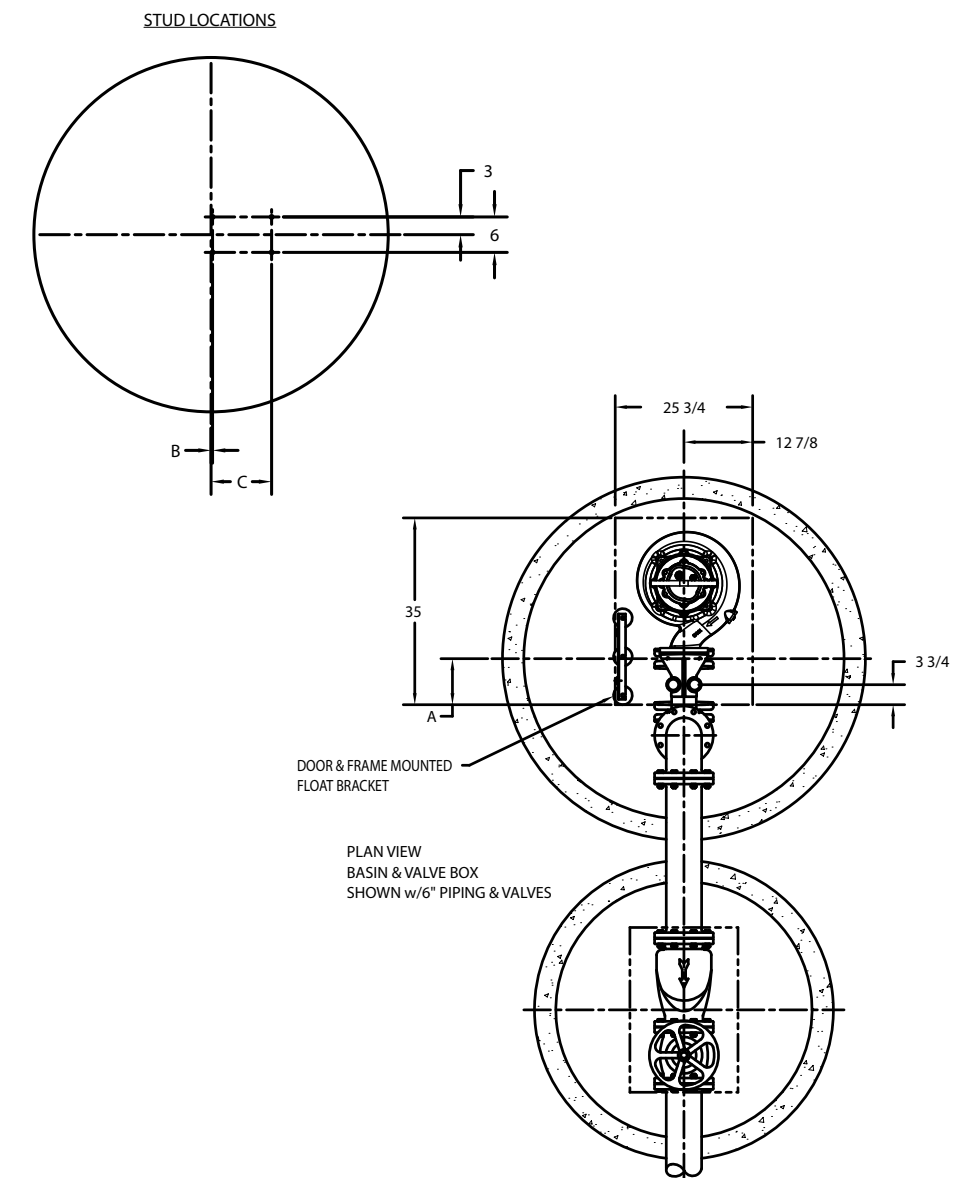
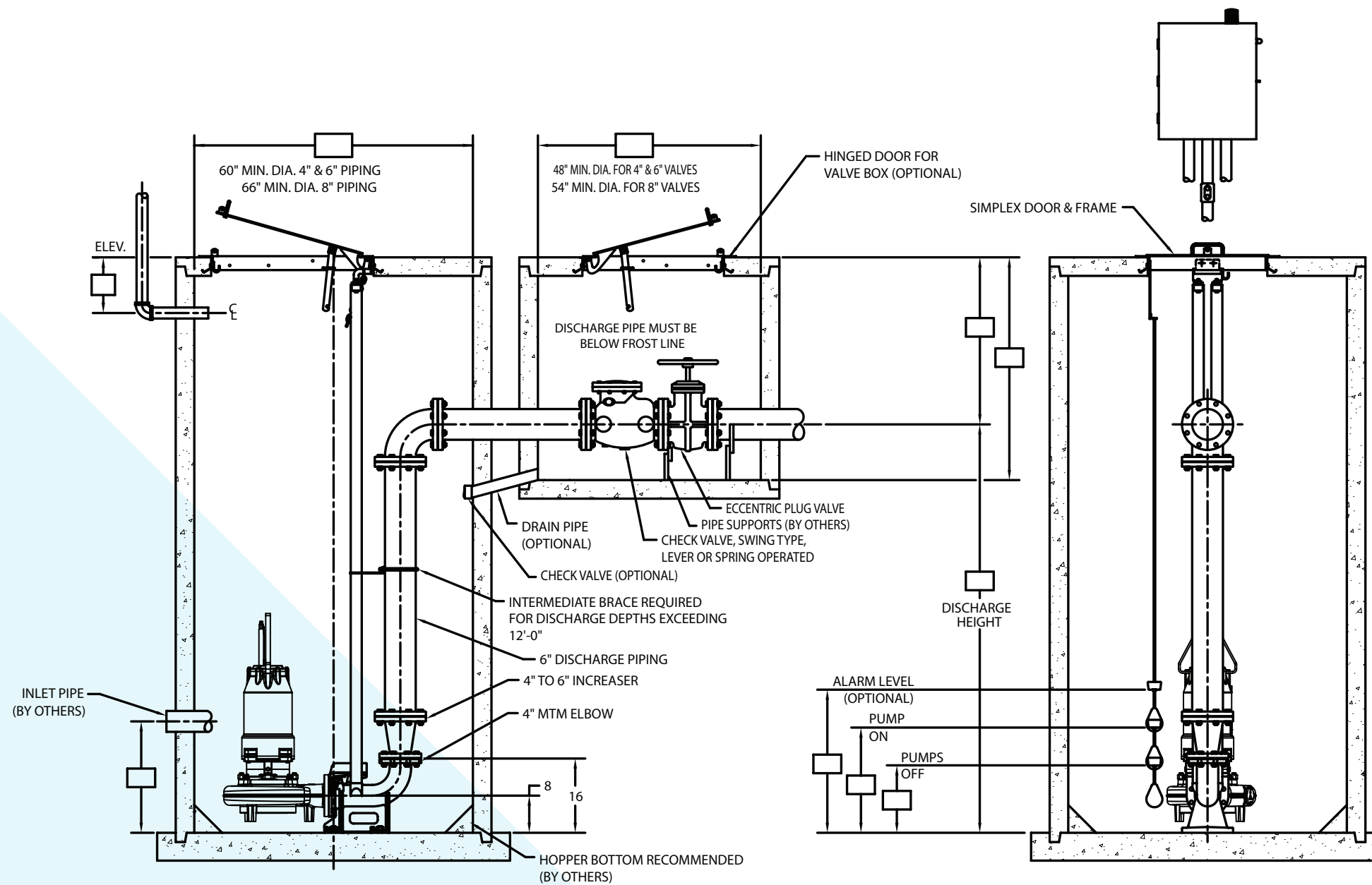


SUBMERSIBLE SOLIDS HANDLING PUMP

SIMPLEX 4" MTM(X)



FOR MODELS: *3SC, 4HC, 4SD, AND 4HD

MIN. SUMP DIA.	MIN. VALVE BOX DIA.	PIPING SIZE	A	B	C
5' - 0"	4' - 0"	4"	8-5/8	0"	10"
5' - 0"	4' - 0"	6"	8-5/8	0"	10"
5' - 6"	4' - 6"	8"	8-5/8	0"	10"

* 3SC requires a 3" X 4" adapter.

1101 Myers Parkway
Ashland, OH 44805
Ph: 855.274.8948
Fx: 800.426.9446

490 Pinebush Rd., Unit 4
Cambridge, Ontario N1T 0A5, Canada
Ph: 800.363.7867
Fx: 888.606.5484

pentair.com/myers

All indicated Pentair trademarks and logos are property of Pentair. Third party registered and unregistered trademarks and logos are the property of their respective owners.

©2024 Pentair. All Rights Reserved.

MY12701 (01-08-24)