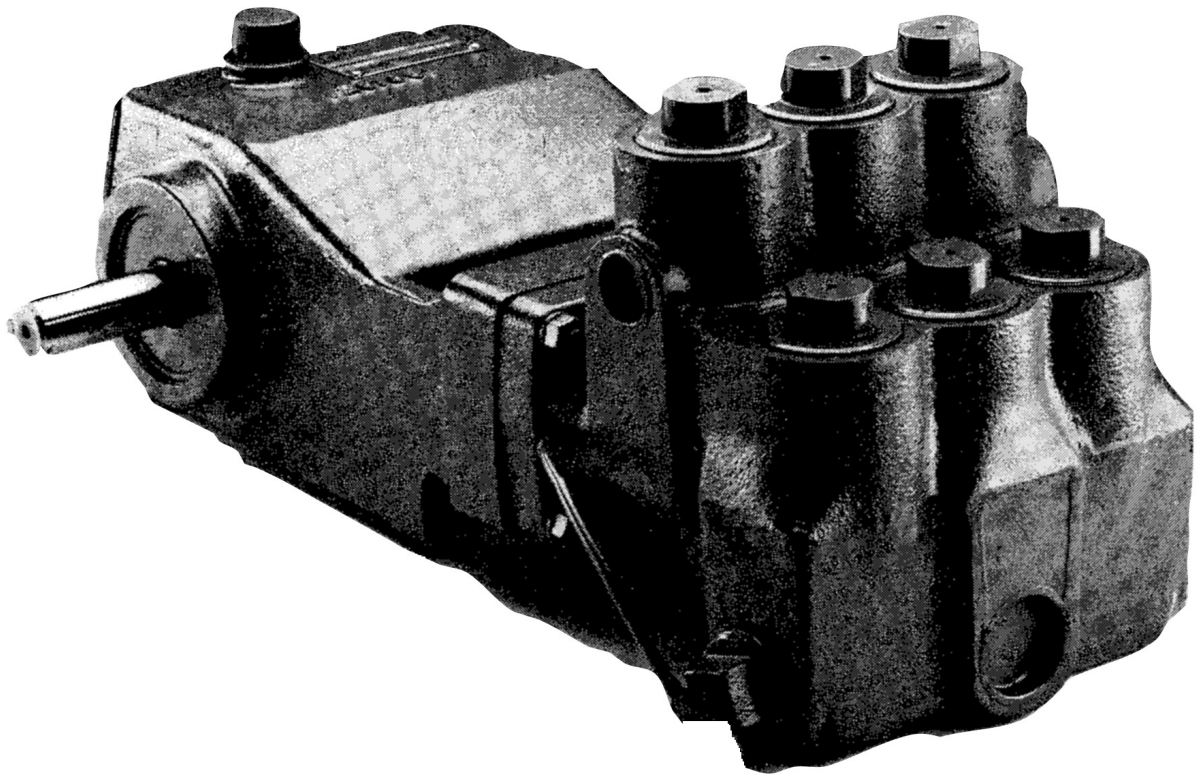




MYERS®



CX SERIES

INDUSTRIAL PUMPS

INSTRUCTIONS AND SERVICE MANUAL

NOTE! To the installer: Please make sure you provide this manual to the owner of the equipment or to the responsible party who maintains the system.

Reciprocating pumps of both the plunger and piston type are positive displacement in principle. Due to positive displacement characteristics, problems may arise through improper installation or application. When new or unusual installations are planned, or the material to be pumped is a liquid other than cold water, the customer should consult the “Myers® Reciprocating Pump Manual” or factory for additional information.

CAUTION

Positive displacement pumps must have a proper size and operable type of pressure regulating valve or pressure relief valve piped into the discharge line. This is mandatory to prevent damage to pump and piping or possible injury to personnel. Do not install any valves or shutoff devices in the bypass line from pressure regulator to tank or supply.

CAUTION

All pumps should be installed level. For mobile applications the maximum angle of intermittent operation should be no more than 5 degrees in any one direction.

CALIFORNIA PROPOSITION 65 WARNING:

▲ WARNING This product and related accessories contain chemicals known to the State of California to cause cancer, birth defects or other reproductive harm.

INSTALLATION (Customer mounted pump)

If possible, install suction piping one pipe size larger than suction tapping in pump. Reduce piping size at pump with a reducer coupling as shown on installation drawings. A suction surge arrester will assure smoother operation. When level of liquid supply is below that of the pump either the bottom opening or both side openings must be connected to the supply. Keep suction piping as short and simple as possible with a minimum of lift. Avoid any high points in suction line.

Suction piping must not have any air leaks. Check suction piping assembly for leaks by using 20-80 psi air pressure and soap bubbles or submerging assembly under water.

Use suction strainer and screen of adequate size to avoid restriction of pump suction. Strainer mesh should be sufficiently small to prevent passage of trash which may lodge under pump valves. Keep screen clean with a regular maintenance schedule to avoid starving of pump suction. A starved suction condition is usually indicated by excessive pump shock and noise. Many pump problems and most plunger or packing problems are directly traceable to a starved suction condition.

When pumping liquids that are heated, reduce pump speed to avoid suction problems. Consult “Myers Reciprocating Pump Manual” or factory for temperature and speed limitations.

Make sure that drive is adequate for horsepower required and that drive is properly aligned and tensioned. With belt drives, pulleys on both motor and pump should be located as closely as possible to bearing to reduce bearing and shaft bending loads.

CAUTION: Be sure that pump belts and pulleys are properly protected by guards according to industrial code within state of application.

Make sure that all bolts, nuts, set screws and keys are properly tightened. Be sure that the discharge line is properly protected by means of a pressure regulating valve and a discharge surge arrester of proper size, capacity and pressure rating. The discharge line should be of comparable size to discharge tapping in pump.

Nozzle capacity or demand should not exceed 90% of pump capacity for satisfactory regulating valve operation. Nozzling in excess of this capacity may cause unstable pressure regulator operation. It is also preferred to nozzle in excess of 50% of pump capacity to reduce rate of erosion or wear on regulating valve and seat.

When lower system demands (than rated pump capacity) are required in an installation, the pump speed should be reduced by changing drive ratios. This will reflect savings in power consumption, reduce regulating valve wear and extend pump life.

Where line shock or water hammer is encountered a second surge arrester should be installed in the discharge line adjacent to spray gun or nozzles. Under some conditions it may also be desirable to isolate pump from piping with suitable high pressure hose. This will eliminate transmission of line vibration to the pump, with a resulting possible failure of piping, pipe threads, and/or pump casting.

Never pipe the bypass from a pressure regulating valve back into the pump suction. When discharge line is shut off, the complete bypass is circulated back into pump suction with a resulting rapid temperature rise which will destroy the plunger seal/piston packing.

It is permissible to pipe the bypass from an unloader valve into the suction because the pump pressure is unloaded when discharge is shut off.

STARTING PUMP

Read all instructions carefully. Fill pump crankcase with recommended oil to the level mark on oil saber. Oil recommendations are covered in the lubrication section of pump instructions. Replace all drain plugs in pump and piping. Inspect tank to be sure that no foreign material is in the tank or suction line. Fill tank at least half full or connect suction to water supply. Open valve (if present) in suction line. If pumping from a pit, make sure that the suction line is completely submerged. Make sure all valves, including spray gun or nozzles, are open in discharge line. Spray gun may be anchored to discharge back into tank. Completely back off pressure adjusting screw on pressure regulating valve.

CAUTION: When pumping from a pit or under a suction lift condition, if pump does not prime in a short period, fill the discharge side of the fluid end with water to seal discharge valves. If pump still does not prime, remove suction hose and fill pump with water. Dry operation will cause heating and wear on plunger seal. Be sure that an operating pressure gauge is located on the discharge line.

STARTING THE UNIT

After starting, close discharge valve or spray gun slowly while watching pressure gauge to make sure relief valve or unloader is operating properly. Adjust relief valve to desired pressure. See regulator instructions. Cycle nozzles, or gun, on and off to be sure that pressure adjustment and regulator operation is satisfactory.

LUBRICATION AND SERVICE

LUBRICATION

Pump- Crankcase must be filled with 2 to 2-1/2 pints of S.A.E. 30 oil unless ambient temperature exceeds 90°F, when S.A.E. 40 should be used. Use only quality oils with API designation MS, SC, or SD; maintain level at mark on dipstick. Foaming and yellow discoloration of oil is an indication of water; oil should be changed immediately to preclude possible damage to power and components.

NOTE - Drain oil from crankcase after first 30 hours of operation. It is best to always drain the oil when it is still hot. Refill with new oil as mentioned above. Run pump at full speed under no pressure for 2 or 3 minutes before returning to operation. Therefore change oil every 300 hours or immediately if water droplets are found on dipstick. Check oil level regularly and add oil as needed.

Avoid freezing by draining all water from pump and system in cold weather. This can be done by breaking suction connections, removing pipe plug from front

face of pump and turning crankshaft over 4 or 5 times, or the fluid end can be removed to completely drain cylinders and fluid end.

SERVICE

Disconnect electrical leads to motor, or remove spark plug leads on engine.

PLUNGER SEAL SERVICE - CXP SERIES

Removal: Remove eight nuts holding fluid end to power end and pull straight forward. Use care with ceramic plunger pumps. Unscrew plunger from top opening and pull plunger out. Use screwdriver to pry the seal housing out. May take use of the crosshead to push seal housing out by inserting a block between crosshead and seal housing.

When replacing the plunger seal, clean all plungers, replace and lubricate O-rings. Ceramic plungers should be cleaned by soaking in muriatic acid to remove all build-up of packing material. **Caution! Avoid direct contact with muriatic acid. Wear protective gloves and eye protection. If exposed, flush exposed area with water. Consult a physician for treatment of muriatic acid burns.** Clean bore and lubricate O-rings and plunger seal with a quality waterproof grease before replacing seal housing and plunger. The plunger should be inserted into crosshead. Hand turn all the way until it stops. Use wrench to finish. Torque to 45 ft/lbs. When the seal housing is seated properly, the plunger fastened to the crosshead and with all internal parts in place in fluid end, the fluid end can be replaced. Be sure to install flange gasket between fluid end and power end when reassembling.

Insert all nuts and lock washers in place and pull fluid end down tight. Do not cock fluid end while tightening, pull down evenly by alternately tightening to final torque 25-30 ft/lbs.

CYLINDER & PACKING SERVICE-CX10-20 SERIES

Removal: Remove eight cap screws holding fluid end to power end, and pull straight forward. Use care with ceramic liner pumps. Do not cock water end or drop liner. Valve seat valve spacer and spring should remain in fluid end. Loosen stem and piston assembly can be removed with a socket wrench through cylinder opening. If cylinders have corroded in place, they may be removed. Grease the O.D. when replacing.

When replacing packing, clean all piston parts, replace and lubricate O-rings. Ceramic cylinders should be cleaned by soaking in muriatic acid to remove all build-up of packing material. **Caution! Avoid direct contact with muriatic acid. Wear protective gloves**

and eye protection. If exposed, flush exposed area with water. Consult a physician for treatment of muriatic acid burns. Clean bore and lubricate O-rings and cylinder with a quality waterproof grease before replacing cylinder and piston assembly. The piston assembly should be inserted into the opening. Care should be used to assure proper seating of the cylinder into the machined opening at the rear of the bore. When the cylinder is seated properly, and the piston assembly adjusted and locked in place, with all internal parts in place in fluid end, the fluid end can be replaced. Care should be taken in reassembly so that the large end of suction spring seats against cylinder and not between the cylinder and spacer. Be sure to install a nylon gasket between the cylinder and spacer when reassembling.

VALVE SERVICE-CXP SERIES

Remove the stainless steel shoulder screw which serves as a valve guide and spring retainer. The shoulder screw can be removed with a socket. Remove shoulder screw, spring retainer, spring and valve from the pump fluid end.

Assemble stud, retainer and three screws and insert screw heads through holes in valve seat. Rotate retainer to the right until heads catch and secure in place by screwing down stud firmly by hand. Place plate over stud and screw on nut. Torque slowly with wrench until seat breaks loose.

Both valve seats are identical and can be serviced the same way. Valve seats are usually distorted and cannot be reused unless the face is reground to flat conditions.

VALVE SERVICE-CX10-20 SERIES

To remove discharge valve or spring, remove water end and pull valve seat with a 3/4-16 UNF threaded rod or cap screw.

Suction valves will show a wear pattern on seating side but need not be replaced unless cranked or erosion is present on seating face. To replace valve seat, first clean both bores with sandpaper or emery cloth to remove all corrosion. Replace discharge valve and spring. O-rings on valve seat should be replaced and lubricated. Insert valve seat into bore, if resistance is met as O-rings enter bores, place a flat piece of wood on seat and tap into place with hammer.

SERVICING CRANKCASE PARTS

To remove the crankshaft, the plungers or pistons and fluid end or cylinders must first be removed. Drain oil from crankcase and remove rear cover. Remove retainer ring from bearing bore. The connecting link caps should be taken off and the free links

pushed toward the water end as far as possible. Before removal, be sure to note the markings on the connecting links and caps. These parts are not interchangeable and must be reassembled in their original positions. The crankshaft bearings and bearing cap can now be removed by tapping with a hammer against a block of wood on one end of the crankshaft. The crankshaft should be supported so that as the bearings leave the bores the crank does not drop and damage a crank pin. Do not remove bearing from crankshaft unless replacement is necessary. After removing crankshaft, the links and crosshead can be pulled out the crankcase opening.

SERVICING CONNECTING LINKS

The connecting rod link is furnished with replaceable split sleeve bearing inserts at the crank throw and a steel backed bushing at the crosshead end. When new replacement links are obtained, these bushings are reamed to the proper size for immediate installation. If the bushing only is removed from an old link, it may be necessary to ream the replaced bushing to the proper inside diameter after it is pressed into the link. When placing the bushing in the link be sure that the oil holes in the bushing and link will be in line after the bushing is pressed into position.

The connecting links should be checked for bearing wear only if the pump shows signs, which might be due to a failing link, or during a general overhaul.

Unnecessary inspections may upset smooth operation and ultimately cause failure. If it becomes necessary to replace a link or crosshead, this can be done by driving out the link pin. When replacing the pin an arbor press should be used and care should be taken so that the link is not bent. As the pin is pressed in, occasionally the two sides of the crosshead will give enough to grip the link so that it will not operate freely. If this occurs, rotate the link and crosshead 180 degrees and tap the pin sharply in the opposite direction.

Always be sure that the proper side of the link is placed upward when attaching it to the crankshaft. The upper side contains three oil holes. These oil holes must be up to allow proper oil feeding.

It is never practical to attempt to re-fit connecting links to the crankshaft by filing or grinding the face of the link cap where it contacts the link. Torque for link bolts not to exceed 65-75 inch/lbs or 6 ft/lbs. Under normal conditions a crosshead will not wear, nor will the bore of the crankcase wear to the extent that oversize crossheads will be required. If extreme wear does occur, it will be due to severe damage from the lack of oil or a fairly large metal object scoring the crosshead bore. A clearance of .002" to .004" is standard for the crosshead. The parts can wear until considerably more clearance than this exists before harmful operation will occur.

RECONDITIONING CRANKSHAFTS

When crank pins are slightly damaged, they can sometimes be reconditioned for further use. This can be done with emery cloth and polishing until all ridges are completely removed. The final polishing operation should be performed by using a very fine emery cloth. This procedure can only be followed where the amount of sanding does not reduce the normal diameter of the crank pin.

Worn or corroded crank pins can be ground and polished down to .030" under the size when the cranks were new. The undersize connecting links are made especially for turned down crankshafts.

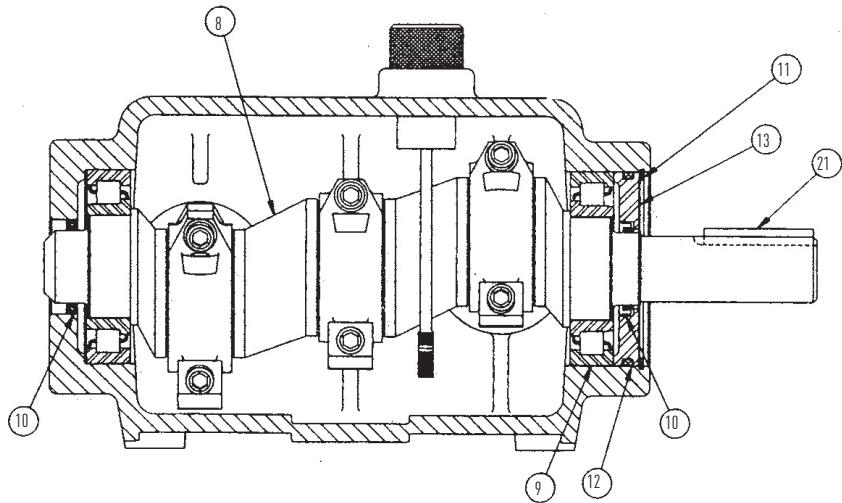
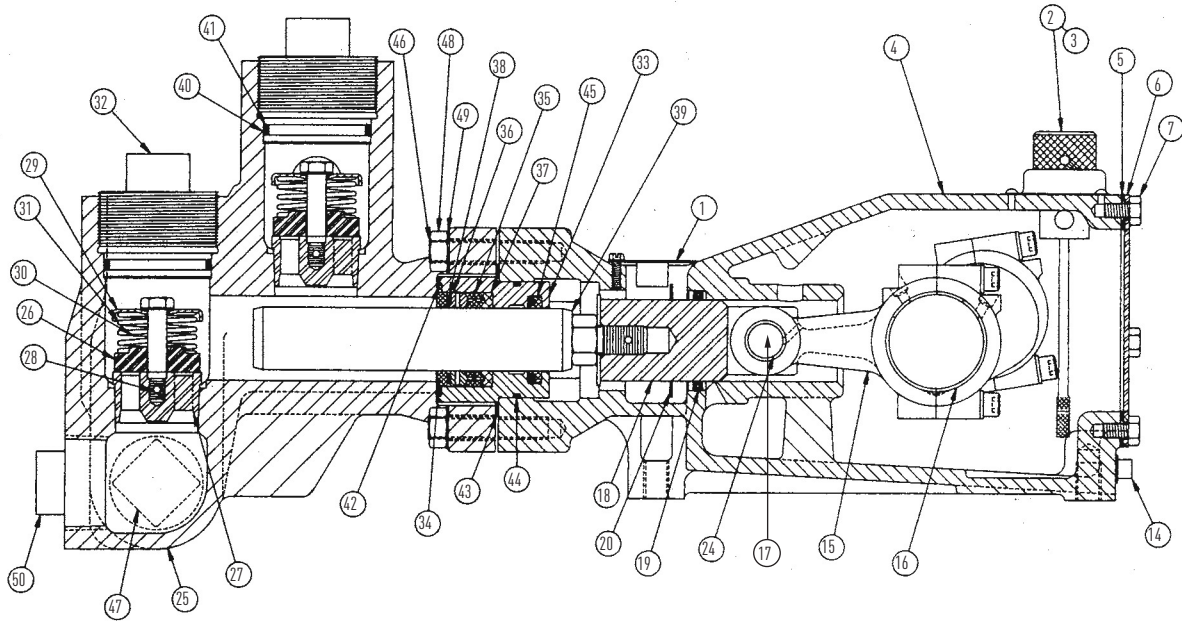
If the surface is badly damaged, the crankshaft can often be salvaged by "metallizing" the crank pins, regrinding and polishing to the original diameter.

REPLACING CROSSHEAD SEALS

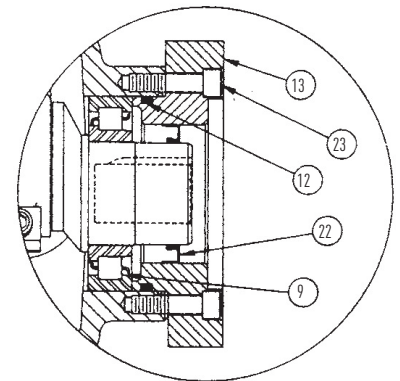
With the crankshaft and crossheads removed, the worn seals can be pried out. When installing new seals be sure to place them with the lip facing the power end and the metal face toward the water end. After cleaning the cavity and wiping with oil, the seal can be pressed into place with an arbor press or by tapping lightly with a hammer against a block of wood. When returning crossheads through new seals care should be taken not to turn back or damage the lip of the seal. An assembly thimble can be very helpful in this operation.

After replacing the crossheads and links, they should be pushed all the way forward; then the crankshaft can be replaced just as it was removed. All link caps should be tightened in place and free operation of the crank assured before replacing bearing cap and retainer ring. When replacing bearing cap, an assembly thimble is helpful. The thimble should be machined from high carbon steel and polished on the exterior to reduce possibility of seal lip damage. Clean and lubricate all seals and O-rings before replacing.

CXP Series Industrial Pumps Parts



Hydraulic Drive



CXP Series Industrial Pumps Parts List

Power End Parts (All 7 Models)

| Item | Description | Qty. | Eng. No. |
|------|------------------------------|------|------------|
| 1 | Cover | 1 | 19324A000 |
| 2 | Oil Gauge | 1 | 20360A000 |
| 3 | O-Ring | 1 | 05876A074 |
| 4 | Crankcase (Shaft Drive) | 1 | 19313E001 |
| | Crankcase (Hyd. Drive) | 1 | 19313E014 |
| 5 | Gasket | 1 | 19314B000 |
| 6 | Cover | 1 | 19315B000 |
| 7 | Screw | 8 | 19100A001 |
| 8 | Crankshaft (Shaft Drive) | 1 | 18451C002K |
| | Crankshaft (Hyd. Drive) | 1 | 18451C003 |
| 9 | Roller Bearing | 2 | 06114A003 |
| 10 | Oil Seal (Shaft Drive) | 2 | 14383A004K |
| | Oil Seal (Hyd. Drive) | 1 | 14383A004K |
| 11 | Retaining Ring (Shaft Drive) | 1 | 10848A016 |

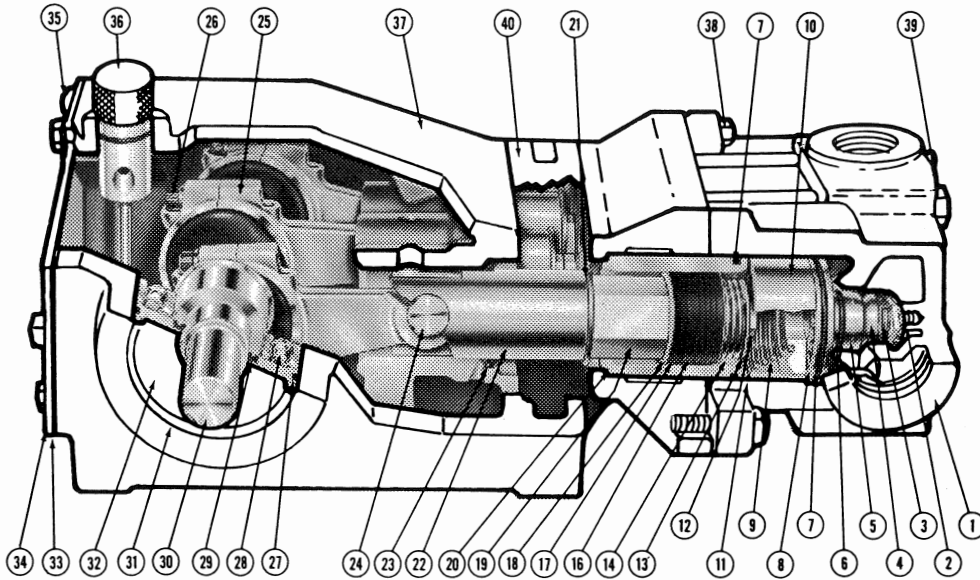
| Item | Description | Qty. | Eng. No. |
|------|---------------------------|------|------------|
| 12 | O-Ring | 1 | 05876A035 |
| 13 | Bearing Cap (Shaft Drive) | 1 | 18452A000 |
| | Hydraulic Adapter | 1 | 26368B000 |
| 14 | Pipe Plug | 1 | 05022A009 |
| 15 | Link | 3 | 18836B000 |
| 16 | Bearing Pair | 3 | 18837A100K |
| 17 | Wrist Pin | 3 | 18448A000 |
| 18 | Crosshead | 3 | 18449B001 |
| 19 | Oil Seal | 3 | 14383A003K |
| 20 | Washer, Splash | 3 | 05030A198 |
| 21 | Key (Shaft Drive) | 1 | 05818A003 |
| 22 | Oil Seal (Hyd. Drive) | 1 | 05710A045 |
| 23 | Screw (Hyd. Drive) | 8 | 06106A047 |
| 24 | Wrist Pin Bushing | 3 | 27877A000K |

Fluid End Parts

| Item | Description | Qty. | Eng. No. | Model |
|------|-------------------------|------|-----------|--|
| 25 | Body, Fluid End Ductile | 1 | 24889E000 | ALL MODELS |
| 26 | Valve, Acetal | 6 | 18834A000 | ALL MODELS |
| 27 | Seat, Valve | 6 | 18835A000 | CXP30-12 CXP26-14 CXP22-16 |
| | | 6 | 18835A005 | CXP18-20 CXP14-24 |
| | | 6 | 18835A006 | CXP7-30 CXP5-35 |
| 28 | Screw Cap | 6 | 18832A000 | ALL MODELS |
| 29 | Retainer, Spring | 6 | 18833A001 | ALL MODELS |
| 30 | Spring, Valve | 6 | 11829A000 | ALL MODELS |
| 31 | Spring, Valve | 3 | 18462A000 | ALL MODELS EXCEPT CXP7-30, CXP5-35 |
| 32 | Cap, Valve Iron | 6 | 24893A001 | ALL MODELS |
| 33 | Plate, Seal | 3 | 24895B000 | CXP30-12 |
| | | 3 | 24895B001 | CXP26-14 |
| | | 3 | 24895B002 | CXP22-16 |
| | | 3 | 24895B003 | CXP18-20 |
| | | 3 | 24895B004 | CXP14-24 |
| | | 3 | 24895B005 | CXP7-30 |
| | | 3 | 24895B006 | CXP5-35 |
| 34 | Washer, Seal | 3 | 24894A000 | CXP30-12 |
| | | 3 | 24894A001 | CXP26-14 |
| | | 3 | 24894A002 | CXP22-16 |
| | | 3 | 24894A003 | CXP18-20 |
| | | 3 | 24894A004 | CXP14-24 |
| | | 3 | 24894A005 | CXP7-30 |
| | | 3 | 24894A006 | CXP5-35 |
| 35 | Seal, High Pressure | 6 | 24897A001 | CXP30-12 (Use for both high and low pressure seal) |
| | | 3 | 24899A011 | CXP26-14 |
| | | 6 | 27287A001 | CXP22-16 |
| | | 6 | 27287A002 | CXP18-20 |
| | | 6 | 27287A003 | CXP14-24 |
| | | 6 | 27287A004 | CXP7-30 |
| | | 6 | 27287A005 | CXP5-35 |

| Item | Description | Qty. | Eng. No. | Model |
|------|--|------|-----------|------------------|
| 36 | Male Adapter | 3 | 27286A000 | CXP22-16 |
| | | 3 | 27286A001 | CXP18-20 |
| | | 3 | 27286A002 | CXP14-24 |
| | | 3 | 27286A003 | CXP7-30 |
| | | 3 | 27286A004 | CXP5-35 |
| 37 | Female Adapter | 3 | 24794A000 | CXP22-16 |
| | | 3 | 24794A001 | CXP18-20 |
| | | 3 | 24794A002 | CXP14-24 |
| | | 3 | 24794A003 | CXP7-30 |
| | | 3 | 24794A004 | CXP5-35 |
| 38 | O-Ring | 3 | 05876A160 | CXP22-16 |
| | | 3 | 05876A159 | CXP18-20 |
| | | 3 | 05876A161 | CXP14-24 |
| | | 3 | 05876A162 | CXP7-30 |
| | | 3 | 05876A163 | CXP5-35 |
| 39 | Plunger, Tungsten Carbide Plunger, Ceramic* | 3 | 24896B010 | CXP30-12 (1 1/2) |
| | | 3 | 24896B001 | CXP26-14 (1 1/2) |
| | | 3 | 24896B002 | CXP22-16 (1 1/2) |
| | | 3 | 24896B003 | CXP18-20 (1 1/2) |
| | | 3 | 24896B004 | CXP14-24 (1 1/2) |
| | | 3 | 24896B005 | CXP7-30 (1) |
| | | 3 | 24896B006 | CXP5-35 (7/8) |
| 40 | O-Ring | 6 | 05876A030 | All Models |
| 41 | Ring, Back-Up | 3 | 24898A001 | CXP30-12 |
| | | 3 | 24898A002 | CXP26-14 |
| | | 6 | 18753A004 | All Models |
| 42 | O-Ring | 3 | 05876A158 | All Models |
| 43 | Gasket, Flange | 1 | 24792B000 | All Models |
| 44 | O-Ring | 3 | 05876A092 | All Models |
| 45 | Seal, Low Pressure | 3 | 24899A002 | CXP26-14 |
| | | 3 | 24899A003 | CXP22-16 |
| | | 3 | 24899A004 | CXP18-20 |
| | | 3 | 24899A005 | CXP14-24 |
| | | 3 | 24899A006 | CXP7-30 |
| | | 3 | 24899A007 | CXP5-35 |
| | Fitting Straight | 1 | 10519A002 | All Models |
| | Fitting 90° | 1 | 23188A001 | All Models |
| | Tube | 1 | 10649A128 | All Models |
| 46 | Studs | 8 | 05659A116 | All Models |
| 47 | Plug, Pipe 1-1/2" for Fitting | 1 | 05022A076 | All Models |
| 48 | Nut, Hex | 8 | 19109A026 | All Models |
| 49 | Washer, Lock | 8 | 05454A005 | All Models |
| 50 | Plug, Pipe 1-1/2" | 1 | 05022A016 | All Models |
| | Plug, Pipe 1 | 1 | 05022A043 | All Models |

CX10-15 & CX20-10
CX10-15 AVAB & CX20-10 AVAB
Industrial Pumps Parts List



| Catalog Number of Industrial Pumps (w/ceramic liners) | | | CX10-15 | CX20-10 |
|--|---|--------|--------------------------|--------------------------|
| Item | Description | Qty. | Eng. No. | Eng. No. |
| 1 | Body, Liquid End, w/Spring Guide Ductile Iron Cast Aluminum Bronze (AB) | 1 1 | 19319D012K 19319D007K | 19319D012K 19319D007K |
| 2 | Spring Guide | 3 | 20488A000 | 20488A000 |
| 3 | Spring, Discharge | 3 | 18318A000 | 18318A000 |
| 4 | Valve, Discharge Valve, Discharge, 316 SST | 3 3 | 18317A000K 18317A001K | 18317A000K 18317A001K |
| 5 | Valve Seat Valve Seat, 316 SST | 3 3 | 19320A000K 19320A002 | 19320A000K 19320A002 |
| 6 | O-Ring, 15/16" I.D., 1-1/8" O.D., 3/32" Dia. | 3 | 05876A203 | 05876A203 |
| 7 | O-Ring, 2-1/8" I.D., 2-5/16" O.D., 3/32" Dia. | 6 | 05876A092 | 05876A092 |
| 8 | Valve, Suction | 3 | 19321A000 | 19321A000 |
| 9 | Spring, Suction | 3 | 19322A000 | 19322A000 |
| 10 | Spacer, Cylinder Liner to Seat | 3 | 19323A000 | 19323A000 |
| 11 | Gasket, Nylon, 2" I.D., 2-19/64" O.D., .040" Dia., Spacer to Ceramic Liner | 3 | 05059A398 | 05059A398 |
| 12 | Cap Screw, Plunger to Plunger Stem | 3 | 17050A001 | 17050A001 |
| 13 | Washer, Cap Screw to Packing Washer, Cap Screw to Packing, 316 SST | 3 3 | 05030A146 05030A204 | 05030A147 05030A205 |
| 14 | Spring, Spacer, Plunger | 3 | 19605A000 | 19606A000 |
| 15 | Washer, Packing, Plunger Washer, Packing, Plunger, 316 SST | 3 3 | 05030A141 05030A202 | 05030A145 05030A203 |
| 16 | "V" Packing, for Plunger | 3 | 18922A001K | 18922A002K |
| 17 | Follower, Plunger | 3 | 19327A000 | 19328A000 |
| 18 | Washer, Plunger, Stainless Steel Washer, Plunger, 316 SST | 3 3 | 05030A142 05030A200 | 05030A143 05030A201 |
| 19 | Stem, Plunger Stem, Plunger, 316 SST | 3 3 | 19325A000 19325A010 | 19326A000 19326A010 |
| 20 | Cylinder Liner, Ceramic | 3 | 19346A000K | 19346A001K |
| 21 | Washer, Splash, .575" I.D., 1-13/16" O.D., .064" Thick | 3 | 05030A141 | 05030A141 |

| Catalog Number of Industrial Pumps (w/ceramic liners) | | | CX10-15 | CX20-10 |
|--|--|------------------|--|--|
| Item | Description | Qty. | Eng. No. | Eng. No. |
| 22 | Crosshead Washer, Splash, Nylon 1-5/8" I.D., 2-1/4" O.D., .040" Thick | 3 3 | 18449B001 05030A198 | 18449B001 05030A198 |
| 23 | Oil Seal, Crosshead to Crankcase | 3 | 14383A003K | 14383A003K |
| 24 | Pin, Link to Crosshead | 3 | 18448A000 | 18448A000 |
| 25 | Link Complete Bushing Washer | 3 3 6 | 18836B000 27877A000K 05030A092 | 18836B000 27877A000K 05030A092 |
| 25A | Bearing Halves, pair | 3 | 18837A100K | 18837A100K |
| 26 | Cap Screw for Link | 6 | 06106A016 | 06106A016 |
| 27 | O-Ring, 3" I.D., 3-1/4" O.D., 1/8" Dia. for Bearing Cap | 1 | 05876A035 | 05876A035 |
| 28 | Bearing, Ball, Crankshaft Bearing, Roller, Crankshaft | 2 2 | 08565A011K - | - 06114A003 |
| 29 | Oil Seal, Crankshaft to Crankcase | 2 | 14383A004K | 14383A004K |
| 30 | Crankshaft | 1 | 18451C002K | 18451C002K |
| 31 | Retaining Ring, Bearing Cap to Crankcase | 1 | 10848A016 | 10848A016 |
| 32 | Cap, Bearing, for Crankshaft | 1 | 18452A000 | 18452A000 |
| 33 | Gasket, Rear Cover to Crankcase | 1 | 19314B000 | 19314B000 |
| 34 | Cover, Rear, Crankcase | 1 | 19315B000 | 19315B000 |
| 35 | Cap, Screw, Rear Cover to Crankcase | 8 | 19100A001 | 19100A001 |
| 36 | Oil Gauge with O-Ring 05876A074 | 1 | 20360A010K | 20360A010K |
| 37 | Crankcase and Cylinder Body | 1 | 19313E001 | 19313E001 |
| 38 | Cap Screw, Liquid Body to Cylinder Body Lockwasher, 7/16" (for cap screw ref nos. 38 & 39) | 4 8 | 19102A014 05454A005 | 19102A014 05454A005 |
| 39 | Cap Screw, Liquid Body to Cylinder Body Plug, Drain, 1/4" NPT Plug, Pipe, 1/4" NPT Plug, Pipe, 1-1/4" NPT | 4 1 2 2 | 19102A015 05022A009 05022A092 05022A041 | 19102A015 05022A009 05022A092 05022A041 |
| 40 | Plunger Cover | 1 | 19324A000 | 19324A000 |

THE PUMP MUST BE INSTALLED WITH A PRESSURE RELIEF VALVE IN DISCHARGE LINE

TROUBLESHOOTING

| | | | | | | | | | |
|---|---|---|---|--|--|---|---|---|---|
| Pump fails to build pressure with discharge closed | | | | | | | | | |
| Failure to hold pressure with discharge open | | | | | | | | | |
| Pump is noisy | | | | | | | | | |
| Pump gets hot | | | | | | | | | |
| Pressure gauge shows abnormal fluctuation | | | | | | | | | |
| Regulator chatter | | | | | | | | | |
| POSSIBLE CAUSE OF PROBLEM | | | | | | | | | |
| 1. Pump not primed | | | | | | | | | X |
| 2. Valve closed in suction line | | | | | | | X | | X |
| 3. Suction line or sediment chamber clogged | | | | | | | X | X | X |
| 4. Air leak in suction line | | | | | | | X | X | X |
| 5. Pressure regulator valve badly worn or not properly adjusted | | | | | | | | X | X |
| 6. Pump plunger cups or valves badly worn | | | X | | | | X | X | |
| 7. Pump cylinder body cracked | | | | | | | X | X | X |
| 8. Holes in discs are too large | | | | | | | | X | |
| 9. Need suction surge arrester | | | | | | | X | | |
| 10. Water in crankcase | | | | | | X | | | |
| 11. Worn connecting link bearings | | | | | | X | X | | |
| 12. Lack of oil in crankcase | | | | | | X | X | | |
| 13. Foaming mixture | | | X | | | | X | X | |
| 14. Regulator plunger sticking | | | X | | | | | | |
| 15. Unloader stuffing box nut too tight | | | X | | | | | | |
| 16. Foreign matter under pump valve | | | X | | | | X | X | |
| 17. Discharge surge arrester inoperative | X | X | | | | | | | |
| 18. Loose plunger rod | | | | | | | X | | |
| 19. Improper preload of crankshaft bearings | | | | | | X | X | | |

Explanation of the Service Chart

1. Pump priming is usually not necessary when the pump is installed correctly. However, there are certain conditions which may make it necessary to prime the pump to get the pumping action started. Priming will be required when it is impossible for the plunger to displace the air in the pump and replace it with water. This can be caused by a high suction lift, the valves being stuck on the seat or by valves sticking due to extreme corrosion. A pump will not prime readily if someone has tampered with the valve springs causing them to exert undue pressure of the valve plates against the valve seats.
2. A gate valve is sometimes installed in the suction line between a tank or pressure line and the pump sediment chamber. It will shut off the supply source in order to clean the sediment chamber or to perform pump repairs. If this valve is partially or fully closed, it will interfere with the flow of water to the pump suction. This may cause severe knocking and vibration of the pump because the water cannot flow into the cylinder cavities fast enough.
3. A sediment chamber should be installed in the suction line between the gate valve and the pump suction. The strainers in the sediment chambers are sufficient to allow a free flow of liquid to the pump. If the strainers become severely clogged, they will completely stop the flow of liquid to the pump.
4. Any plunger pump operating at a high pressure will not perform properly nor quietly if a mixture of air and water is allowed to enter the pump suction. A small air leak in the suction line will cause the pump to knock and vibrate excessively by allowing the pump to draw a certain amount of water mixed with air on each stroke of the plunger. A large air leak will cause the pump to lose prime after which it cannot be reprimed until the air leak is stopped. Air leaks may occur at the joints of the suction line piping, at the gate valve in the suction line, at the gasket sealing the cap on the sediment chamber, by a crack in the suction wall of the cylinder body or by air drawing past the plunger cups on the suction stroke if the plunger cups are badly worn.

5. If the pressure regulator unloading valve is worn, it will allow too much of the pump capacity to be bypassed and recirculated back to the tank. By examining the flow from this valve with the discharge turned on, it can be determined whether or not the valve is worn. If a heavy flow continues when the discharge is turned on, it is usually a good indication of a worn valve and should be replaced.
6. Worn plunger cups, valves or valve seats will cause a severe drop in pump capacity pressure. Worn plunger cups are detected by water leakage past the cups and immediately should be replaced. Water getting into the pump crankcase will cause severe corrosion of the bearings. Worn valves can only be detected by visual examination of each valve assembly. Abrasive liquid will cause wire cuts which begin as a very small groove, but increase rapidly once the valve starts to leak through this groove. If the valve plates are replaced as soon as they start to show this cutting action, it will prevent the valve seat from becoming cut in a similar manner.
7. Pump cylinder bodies withstand an extreme amount of shock and pulsation while in operation, but if the pump is allowed to freeze, by not being drained, the freezing may crack the cylinder body walls in almost any location. If the crack occurs on the suction valve or cylinder portion of the body, it may allow a small amount of air to enter on the suction stroke and cause noisy operation or a decrease in pumping capacity. If the crack develops in the walls between the cylinder cavities or discharge valve cavity, it may allow the water to flow from one cavity to the adjacent cavity and cause uneven displacement.
8. The holes in the gun or nozzle discs are continually subject to wear because of the high velocity of the liquid through the holes. If the holes become worn, they may allow a higher rate of discharge than the pump is able to provide, then a drop in pressure will be noticed. This can quickly be checked by reducing the number of nozzles or guns while watching the amount of overflow from the pressure regulator. If there is considerable overflow, it is an indication that the regulator valve is worn rather than the gun or nozzle disc.
9. Suction surge arresters should be installed on the suction line of reciprocating pumps, 1-1/2" or 2" can be used. A standing height of 12"-15" will be sufficient with the top end closed by an ordinary pipe cap.
10. Water may accumulate in the pump crankcase from two sources; leakage of the plunger cups or an accumulation of condensation/moisture inside the crankcase due to changes in weather or the repeated heating and cooling of the pump. Pumps used consistently, running for a considerable period of time to heat the oil and other working parts, will not normally accumulate water by condensation. Replace the plunger cups as soon as they start to leak.
11. Worn connecting link bearings are caused by unusual or adverse operating conditions and are seriously affected by corrosion if water is present in the crankcase. They will wear out from overheating if adequate oil is not provided in the crankcase. It is recommended to drain, clean and refill with new oil prior to any storage period. Replace bearings as soon as any damage is discovered to avoid possible damage to crankshaft.
12. Low oil in the crankcase can quickly cause failure of the pump's power end and result in extensive repairs. Oil level should be checked periodically during normal operation and during all maintenance work.
13. A foaming mixture will sometimes have the same effect as a small air leak in the suction line. This is because various quantities of the foam are drawn through the suction line into the pump disrupting the normal flow of water.
14. Pressure regulators and unloading valves may become sluggish in action due to the plunger sticking or fitting too tightly in its cylinder. This may happen by an accumulation of chemicals collecting in and around the plunger or due to excessive corrosion of the plunger parts. To check this condition, remove and clean the plunger and cover the parts with a waterproof grease before assembling.
15. The stuffing box nut on the unloading valve lifting post should not be tightened to severely grip or bind the packing on the post. Tighten this nut just enough to prevent leakage and chatter. The pressure regulator and unloading valves may chatter or vibrate excessively due to an unstable operation from nozzling in the high or low capacity range of the regulator or unloader. The range should be at least 50% to 90% of pump capacity. With unloader valves, nozzle capacity should be at least 20% and not exceed 90% of pump capacity.
16. If foreign matter becomes lodged between the pump valve and valve seat, a drastic drop in capacity and considerable surge or pulsation will occur in the discharge line. Examine each valve if this occurs.
17. When a pump is used for a long period of time, a waterlogged discharge surge could cause pulsation at the discharge. The suction should be opened into the atmosphere to allow air to be drawn through the pump to recharge the surge arrester. Do this with the pressure release valve open so the pump operates at no pressure.

18. Noisy pump operation can be caused by a loose plunger rod in the crosshead. This noise usually has a regular cadence timed with each stroke of the plunger. When this occurs, always replace both the rod and the crosshead.
19. Increased preload to the crankshaft bearings will reduce bearing life, require more power and generate more heat, while insufficient preload may cause a knock, timed with the crankshaft rotation. Check for loose bolts on the crankshaft end caps or adjust shims to obtain proper bearing preload.

STANDARD LIMITED WARRANTY CENTRIFUGAL & RECIPROCATING PUMPS

Pentair Myers® warrants its products against defects in material and workmanship for a period of 12 months from the date of shipment from Pentair Myers or 18 months from the manufacturing date, whichever occurs first – provided that such products are used in compliance with the requirements of the Pentair Myers catalog and technical manuals.

During the warranty period and subject to the conditions set forth, Pentair Myers, at its discretion, will repair or replace to the original user, the parts that prove defective in materials and workmanship. Pentair Myers reserves the right to change or improve its products or any portions thereof without being obligated to provide such a change or improvement for prior sold and/or shipped units.

Seals, piston cups, packing, plungers, liners and valves used for handling clear, fresh, nonaerated water at a temperature not exceeding 120°F are warranted for ninety days from date of shipment. All other applications are subject to a thirty day warranty. Accessories such as motors, engines and auxiliary equipment are warranted by the respective manufacturer and are excluded in this standard warranty. Under no circumstance will Pentair Myers be responsible for the cost of field labor, travel expenses, rented equipment, removal/reinstallation costs or freight expenses to and from the factory or an authorized Pentair Myers service facility.

This limited warranty will not apply: (a) to defects or malfunctions resulting from failure to properly install, operate or maintain the unit in accordance with the printed instructions provided; (b) to failures resulting from abuse, accident or negligence; (c) to normal maintenance services and parts used in connection with such service; (d) to units that are not installed in accordance with applicable local codes, ordinances and good trade practices; (e) if the unit is moved from its original installation location; (f) if unit is used for purposes other than for what it is designed and manufactured; (g) to any unit that has been repaired or altered by anyone other than Pentair Myers or an authorized Pentair Myers service provider; (h) to any unit that has been repaired using non factory specified/OEM parts.

Warranty Exclusions: PENTAIR MYERS MAKES NO EXPRESS OR IMPLIED WARRANTIES THAT EXTEND BEYOND THE DESCRIPTION ON THE FACE HEREOF. PENTAIR MYERS SPECIFICALLY DISCLAIMS THE IMPLIED WARRANTIES OF MERCHANTABILITY AND FITNESS FOR ANY PARTICULAR PURPOSE.

Liability Limitation: IN NO EVENT SHALL PENTAIR MYERS BE LIABLE OR RESPONSIBLE FOR CONSEQUENTIAL, INCIDENTAL OR SPECIAL DAMAGES RESULTING FROM OR RELATED IN ANY MANNER TO ANY PENTAIR MYERS PRODUCT OR PARTS THEREOF. PERSONAL INJURY AND/OR PROPERTY DAMAGE MAY RESULT FROM IMPROPER INSTALLATION. PENTAIR MYERS DISCLAIMS ALL LIABILITY, INCLUDING LIABILITY UNDER THIS WARRANTY, FOR IMPROPER INSTALLATION. PENTAIR MYERS RECOMMENDS INSTALLATION BY PROFESSIONALS.

Some states do not permit some or all of the above warranty limitations or the exclusion or limitation of incidental or consequential damages and therefore such limitations may not apply to you. No warranties or representations at any time made by any representatives of Pentair Myers shall vary or expand the provision hereof.



MYERS®
MYERS® APLEX SERIES

1101 MYERS PARKWAY
ASHLAND, OHIO, USA 44805
855-274-8948

WWW.FEMYERS.COM

Warranty Rev. 12/13