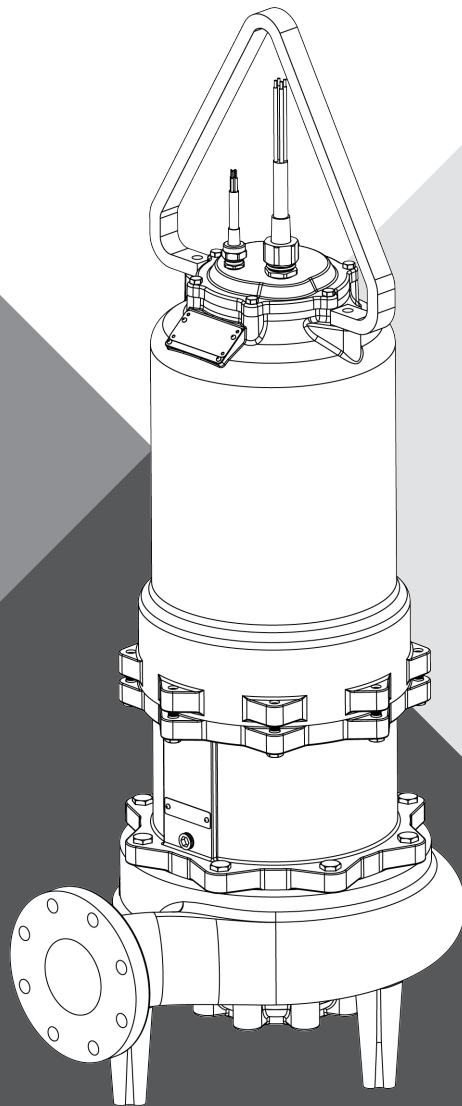




# SUBMERSIBLE SOLIDS HANDLING PUMP

4VL(X\*)P, 8SM(X\*)P, 8VL(X\*)P, 12VL(X\*)P

\*(CLASS I, DIVISION 1, GROUPS C & D): FM



(\*Hazardous Location Motor End)

## OWNER'S MANUAL

[pentair.com](http://pentair.com)

©2023 Pentair. All Rights Reserved.


# TABLE OF CONTENTS


---


SAFETY INSTRUCTIONS.....	3
GENERAL INFORMATION .....	4
INSTALLATION.....	5
OPERATIONS & MAINTENANCE .....	6
TROUBLESHOOTING.....	7
PARTS INDEX.....	8
WIRING DIAGRAM.....	14
WARRANTY .....	15


# SAFETY INFORMATION

## SAFETY SYMBOLS

 This is the safety alert symbol. When you see this symbol on your pump or in this manual, look for one of the following signal words and be alert to the potential for personal injury:


 **DANGER** warns about hazards that will cause serious personal injury, death or major property damage if ignored.

 **WARNING** warns about hazards that can cause serious personal injury, death or major property damage if ignored.



 **CAUTION** warns about hazards that will or can cause minor personal injury or property damage if ignored.



The word **NOTICE**: indicates special instructions that are important but not related to hazards.

## CALIFORNIA PROPOSITION 65 WARNING


 **WARNING** This product and related accessories contain chemicals known to the State of California to cause cancer, birth defects or other reproductive harm.


## GENERAL SAFETY


- ◆  **CAUTION** Do not touch an operating motor. Modern motors can operate at high temperatures. To avoid burns when servicing pump, allow it to cool for 30 minutes after shutdown before handling.
- ◆ Follow all applicable local and state codes and regulations.
- ◆ Submersible pumps are not approved for and should not be used in swimming pools, recreational water installations, decorative fountains or any installation where human contact with the pump fluid is common. Pump is designed for municipal and commercial wastewater applications.
- ◆ Keep safety labels in good condition, replacing any missing or damaged labels.
- ◆ **DO NOT** run the pump dry. Dry running can overheat the pump, (causing burns to anyone handling it) and will void the warranty.
- ◆ The pump is permanently lubricated. No oiling or greasing is required in normal operation.
- ◆ Periodically inspect pump and system components.
- ◆ Wear safety glasses at all times when working on pumps.
- ◆ Keep work area clean, uncluttered and properly lighted. Store all unused tools and equipment.
- ◆ **DO NOT** use to pump flammable liquids.
- ◆  **DANGER RISK OF FIRE OR EXPLOSION.** Can cause severe personal injury, property damage or death. Do not smoke or use open flames in or around this system.

- ◆  **DANGER RISK OF ASPHYXIATION.** Installer(s) and/or service personnel must use proper Personal Protective Equipment and follow OSHA 29 CFR 1910.146 or OSHA 29 CFR 1926. Pump may be installed in a location classified as a confined space.
- ◆  **DANGER BIOHAZARD RISK.** Once wastewater source has been connected to system, Biohazard Risk exists. Installer(s) and/or service personnel must use proper personal Protective Equipment and follow handling procedures per OSHA 29 CFR 1910.1030 when handling equipment after wastewater source has been connected to system.
- ◆ **NOTICE:** FM rated models are only to be used in 60hz applications.

## ELECTRICAL SAFETY

 **DANGER HAZARDOUS VOLTAGE. CAN SHOCK, BURN, OR KILL.** When installing, operating, or servicing this pump, follow the safety instructions listed below.

- ◆  **DANGER ELECTROCUTION HAZARD:** Must be installed by a qualified professional. Disconnect all electrical power before attempting service.
- ◆ **DO NOT** modify the cord. When wiring to a system control, connect ground lead to the system ground.
- ◆ **DO NOT** splice the electrical power cord.
- ◆ **DO NOT** allow the power leads on the end of the electrical cords to be submerged.
- ◆ **DO NOT** handle or service the pump while it is connected to the power supply.

 **WARNING** A water test must be taken before installation of any water treatment equipment. The water quality can significantly influence the life of your system. You should test for corrosive elements, acidity, total solids and other relevant contaminants, including chlorine and treat your water appropriately to ensure satisfactory performance and prevent premature failure.

## GENERAL INFORMATION

---

This manual contains important safety information regarding the use of this product. This product should only be installed and serviced by a qualified professional. Carefully read and follow all safety instructions in this manual and on the unit itself before installing or operating pump. Keep this manual for future reference.

Reasonable care and safe methods should be practiced. Check local codes and requirements before installation.

### UNPACKING PUMP

**▲ WARNING** **LIFTING HAZARD.** Unassisted lifting of pump can cause injury. Mechanical assistance required.

**DO NOT** lift pump by power cord.

When unpacking unit, check for damage. Claims for damage must be made at the receiving end through the delivery carrier. Damage cannot be processed from the factory.

**▲ DANGER** **RISK OF FIRE OR EXPLOSION.** Before handling these pumps and controls, always disconnect the power first. Do not smoke or use sparkable electrical devices or flames in a septic (gaseous) or possible septic sump. Do not pump flammable liquids with this pump.

### PUMPS IN STORAGE OR NOT OPERATING

Pumps with silicon/carbide seals must have impellers manually rotated (6 revolutions) after setting non-operational for 3 months or longer and prior to electrical start-up.

Pumps with tungsten carbide seals must have impellers manually rotated (6 revolutions) after setting non-operational for 3 weeks or longer and prior to electrical start-up.

### SEAL FAILURE PROBES

#### HAZARDOUS DUTY RATED PUMPS:

All submersible pumps have two factory installed moisture detectors (seal failure probes). They should have a resistance of around 330K ohms for the series circuit in the seal chamber. Under normal operating conditions, the circuit remains around 330K ohm. If the circuit shows open the circuit is not complete indicating a broken wire, corroded wire, or loose connection. If the lower seal leaks and moisture enters this chamber, the moisture would settle to the bottom of the chamber and will complete (significantly less than 330K ohms) the circuit between the moisture detectors.

#### NON-HAZARDOUS DUTY RATED PUMPS:

For all non-hazardous duty rated pumps the resistance (ohm) readings between the seal probe wires should be open in normal operating conditions. A lower resistance indicates water intrusion.

This circuit must be connected to a sensing unit and signaling device. This is supplied in a manufacturer built control panel. Failure to install such a device negates all warranties.

### HEAT SENSORS

All motors in this family have heat sensors on or embedded in the motor winding to detect excessive heat. This prevents damage to the motor. If sensor trips due to excessive winding temperature, the starter in the panel interrupts power to the pump. **The sensors are set to trip at 150°C.**

Failure to install such circuitry would negate FM approvals and all warranties.

### POWER CORDS

The power cord and heat sensor seal failure cord are potted into the cord cap. The cords must not be spliced.

Each cable has a green lead. This is the ground wire and must be grounded properly per NEC and/or local codes. Cords should be inspected for abnormal wear and replaced accordingly.

### OVERLOAD HEATERS

If the electrical panel is not used, starters with 3 leg overload relay must be supplied on 3 phase pumps. Each leg is to have an identical heater sized in accordance with the nameplate amps on the motor housing. The amp draw on these submersible motors is slightly higher than a corresponding horsepower surface motor, so heaters must be sized by the nameplate rating.

### INSTALLING SUMP LEVEL CONTROLS FLOAT CONTROLS

In all systems, the lower or turn-off control is to be set to maintain a minimum level in the sump. This level shall be no more than 3-1/4" from the top of the motor housing down to the surface of the sewage.

The second or turn-on control is set above the lower turn-off control. The exact distance between the two floats must be a compromise between a frequent pumping cycle (15 starts per hour max) to control septicity, solids and a slower cycle for energy economy. This distance should be determined by the engineer or consulting engineer, depending on the conditions of the application.

### INSTALLING PUMP IN SUMP

Before installing the pump in the sump, lay it on its side and rotate impeller. Impeller may be slightly stuck due to factory test water. The impeller should turn freely. **DO NOT** connect the power until after this test.

Clean all debris from sump and connect pump to piping. A check valve must be installed on each pump and a gate or plug valve in each pump discharge is highly recommended. This valve should be installed on the discharge side of the check valve so if it becomes necessary to service the check valve, the line pressure can be cut off. Single pump systems are sometimes installed without a check valve where it is desirable to self-drain the discharge line to prevent freezing. This can be done only with short discharge lines; otherwise water will return to the sump and cause short cycling of the pump.

# INSTALLATION

## MAKING ELECTRICAL CONNECTIONS

All electrical wiring must be in accordance with local codes, and only competent electricians should make the installations. Complete wiring diagrams are glued to the inside cover of the panel. It is VERY IMPORTANT to check all wires for grounds with an ohmmeter or Megger meter after the connections are made **as one grounded wire can cause considerable trouble.**

**NOTICE** If equipment is not properly wired and protected as recommended, the warranty is void.

**CAUTION** The 230 volt 3 phase pump has a dual marked nameplate. For ordinary location pumps, voltage may be rewired by qualified personnel. For hazardous location pumps, voltage may be rewired by the manufacturer or a Class I, Div I equipment qualified electrician. Once the voltage is changed, the factory cord tag indicating 230 volt 3 phase must be removed.

For record keeping purposes, we suggest the pump be marked externally with the new voltage and qualified personnel that performed the change. Pumps shipped from the factory as 460 volt 3 phase cannot be rewired to any other voltage.

## TO RE-WIRE THE PUMP FROM 230V TO 460V 3 PHASE

Only a 230V pump from the factory is considered dual voltage, a cord label clearly states the factory wound voltage.

1. Remove all six (#7) cap screws then raise the cord cap assembly enough to slip a prying instrument on opposite sides between the cord cap casting and the motor housing. Take care to not damage the o-ring or the machined surfaces of the castings. Doing so could void FM agency certifications.
2. While prying evenly on both sides; separate the cord cap casting from the motor housing, the assembly is airtight and will have a vacuum effect when disassembling.
3. Once separated, the cord cap can be inverted and rotated to the outside of the pump assembly, and a bolt can be re-used to secure the upside down cord cap to the motor housing for ease of rewiring.

Refer to the wiring diagram within this manual for wiring details. Once all electrical connections are finished and secure (a crimped electrical connector is best to prevent issues due to vibration if required), the cord cap should be re-attached reversing the steps above. Ensure the o-ring is in place and perform a hi-pot test for safety once everything is complete.

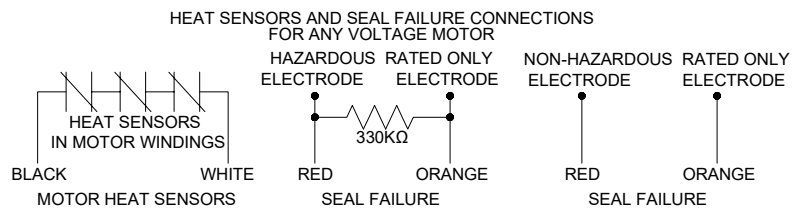
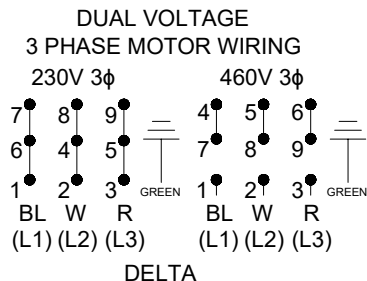
## HEAT SENSORS AND SEAL FAILURE CONNECTIONS

Be sure heat sensor wires are connected in series with the starter coil. Connections are provided on the terminal strip.

## NUMBER OF CONDUCTORS REQUIRED BETWEEN CONTROL PANEL AND NEMA 4 JUNCTION BOX

Power lines and control wires can be carried in conduit or can be underground buried cable

SYSTEM TYPE	NUMBER OF CONTROL WIRE	NUMBER OF POWER LINE	NUMBER OF GROUND WIRES #8	HEAT SENSOR & SEAL FAILURE	
				NUMBER OF SENSOR WIRES	NUMBER OF GROUND WIRES
Simplex	4	3	1	3	1
Simplex with Alarm	6	3	1	3	1
Duplex	6	6	2	6	2
Duplex with Alarm	8	6	2	6	2



# OPERATIONS & MAINTENANCE

---

## PUMP OPERATIONS STARTING SYSTEM

1. Double check all wire connections.
2. Turn pumps to Off position on H-O-A switches.
3. Turn on breakers.
4. Connect amprobe to pump power cord and turn pump on. The pump will show high amp draw momentarily, then as pump comes off start wirings, amps will drop to normal nameplate amps.
5. When using three phase pumps (208/230/460/575), turn the H-O-A switch to Hand position on one pump and notice operation. If pump is noisy and vibrates, rotation is wrong. To change rotation, interchange any two line leads to pump. Do not interchange main incoming lines. Check rotation of all pumps in this same manner.
6. Now set both H-O-A switches to Auto position and allow water to rise in sump until one pump starts. Allow pump to operate until the level drops to turn-off point.
7. Allow sump level to rise to start other pump(s). Notice run lights in panel. Pumps should alternate on each successive cycle of operation.
8. Turn both H-O-A switches to Off position and allow sump to fill to the override control level(s).
9. Turn switches to Auto position, and pumps should start and operate together until level drops to turn-off point.
10. Repeat this operation and cycle several times before leaving the job.
11. Check voltage when pumps are operating and check the amp draw of each pump. Check amps on each pump conductor as sometimes a high leg will exist. For excessive voltage on one leg, the electric utility company should be consulted.

## PUMP MAINTENANCE

As the motors are oil filled, no lubrication or other maintenance is required.

If the heat sensor and seal failure are hooked up properly, no attention is necessary as long as the seal failure indicator light does not come on. To ensure continuity of the seal sensor leads, a test light is provided on intrinsically safe panels as standard equipment.

**⚠ WARNING** Before handling these pumps and controls, always disconnect the power first. Do not smoke, use flames or devices that can produce electrical discharge or sparks in a septic (gaseous) or possible septic sump.

### FIELD SERVICE ON ORDINARY LOCATION PUMPS

Ordinary location submersible motors that are out of warranty can be serviced in the field by any reliable motor service shop.

Any pump that is in warranty must be returned to the factory for service or repaired at an authorized service center. Charges will not be allowed if (in warranty) pump is not taken to an authorized service center. When field service is performed on a pump, these instructions should be carefully followed.

### FIELD SERVICE ON HAZARDOUS LOCATION PUMPS

Hazardous location pumps must be returned to the factory for electrical and motor service. Any repair not at an authorized service center will void the Factory Mutual (FM) listing. This will ensure the integrity of the hazardous location rating of the pump and comply with our warranty requirements.

The upper seal, lower seal, volute, and impeller components may be repaired or replaced by an authorized service facility without compromising the hazardous location rating to the pump.

For any repairs in which the oil is drained, the pump must be re-filled with an approved oil. The motor chamber cannot be disassembled, during repairs as this will result in loss of agency rating.

Any time a seal is disturbed, it must be replaced.

Check the pump for proper rotation before returning to service.

# TROUBLESHOOTING

---

## PUMP TROUBLESHOOTING

Below is a list of common problems and the probable causes.

### PUMP WILL NOT START

1. No power to the motor. Check for blown fuse or open circuit breaker.
2. Selector switch may be in the Off position.
3. Control circuit transformer fuse may be blown.
4. Overload heater on starter may be tripped. Push to reset.

### PUMP WILL NOT START AND OVERLOAD HEATERS TRIP

1. Turn off power and check motor leads with Megger or ohmmeter for possible ground.
2. Check resistance of motor windings. All 3 phases should exhibit the same reading.
3. If no grounds exist and the motor windings check OK, remove pump from sump and check for clogged or blocked impeller.

### PUMP OPERATES WITH SELECTOR SWITCH IN HAND POSITION BUT WILL NOT OPERATE IN AUTO POSITION

1. This indicates trouble in the float level control or the alternator relay.
2. Check control panel for trouble.

### PUMP RUNS BUT WILL NOT SHUT OFF

1. Pump may be air locked. Turn pump off and let set for several minutes, then restart.
2. Lower float control may be hung-up in the closed position. Check in sump to be sure control is free.
3. Selector switch may be in the Hand position.

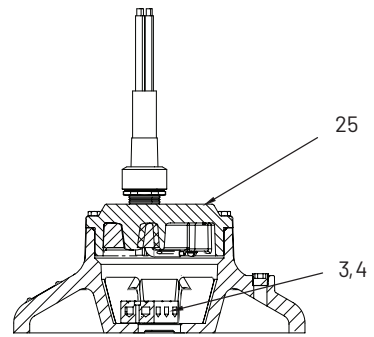
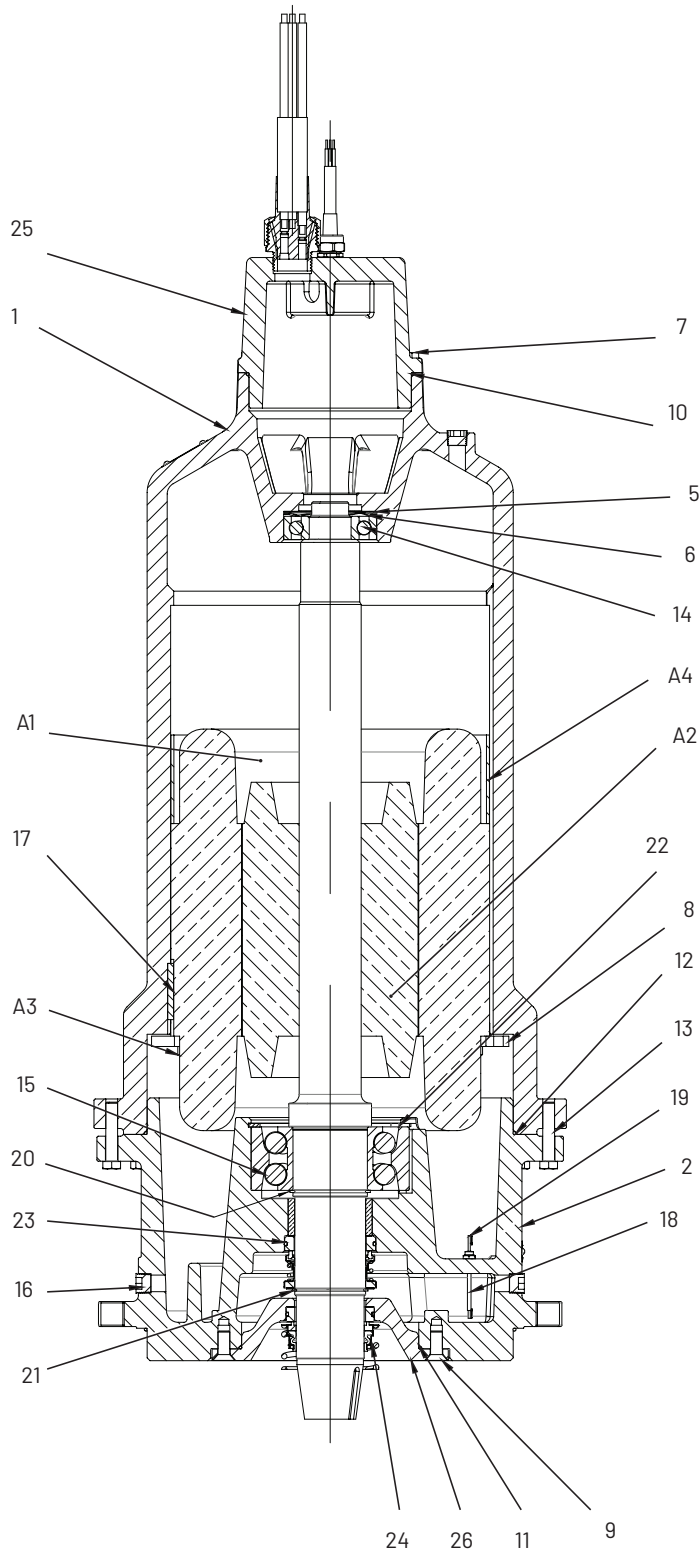
## PUMP DOES NOT DELIVER PROPER CAPACITY

1. Discharge gate valve may be partially closed or partially clogged.
2. Check valve may be partially clogged. Raise level up and down to clear.
3. Pump may be running in wrong direction. Low speed pumps can operate in reverse direction without much noise or vibration.
4. Discharge head may be too high. Check total head with gauge when pump is operating. Total head is discharge gauge pressure converted to feet plus vertical height from water level in sump to center line of pressure gauge in discharge line. Gauge should be installed on pump side of all valves. Multiply gauge pressure in pounds by 2.31 to get head in feet.
5. If pump has been in service for some time and capacity falls off, remove pump and check for wear or clogged impeller.

## MOTOR STOPS AND THEN RESTARTS AFTER SHORT PERIOD BUT OVERLOAD HEATERS IN STARTER DO NOT TRIP

1. This indicates heat sensors in the motor are tripping due to excessive heat. Impeller may be partially clogged giving a sustained overload but not high enough to trip overload heater switch.
2. Motor may be operating out of liquid due to a failed level control.
3. Pump may be operating on a short cycle due to sump being too small or from water returning to sump due to a leaking check valve.

**PARTS INDEX - MODELS 4VL(X)P, 8SM(X)P, 8VL(X)P, 12VL(X)P**



10-4, 8-4, 6-4  
& 4-4 CORD CAP

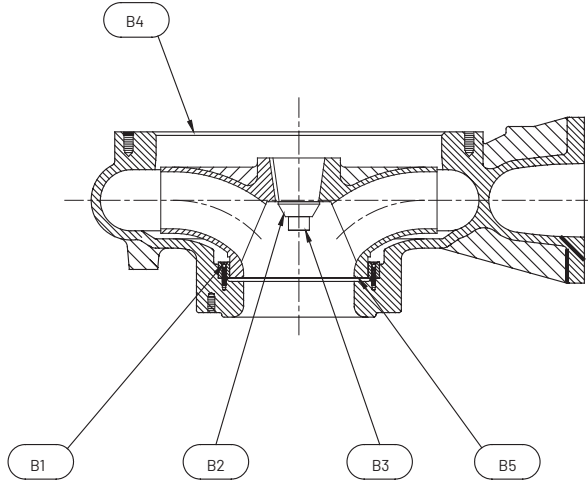


# PARTS INDEX

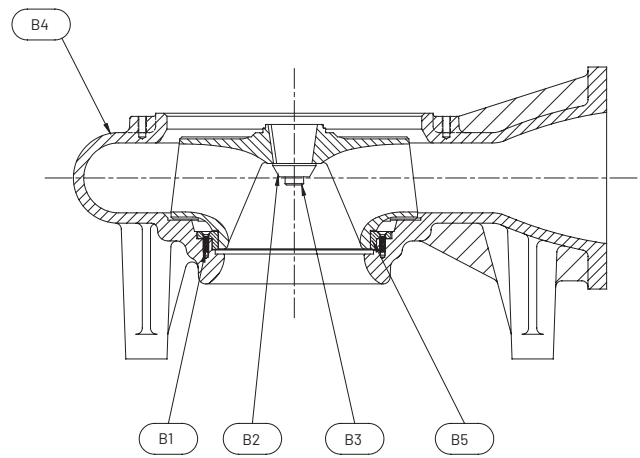
ITEM	320 FRAME PUMPS		QTY	360 FRAME PUMPS	
	ENG. NO.	DESCRIPTION		ENG. NO.	DESCRIPTION
1	28013D000	Housing - Motor 30 hp - 75 hp	1	28014D000	Housing - Motor 150 hp
	28013D001	Housing - Motor 20 hp - 25 hp	1	28014D001	Housing - Motor 40 hp - 125 hp
2	27977D010	Housing - Bearing	1	27990D010	Housing - Bearing
3	27882A009	Terminal Block (8 Awg and Smaller)	1	27882A009	Terminal Block (8 Awg and Smaller)
4	06106A069	Screw - Cap SKT HD Terminal Block	2	06106A069	Screw - Cap SKT HD Terminal Block
5	110650043	Screen	1	110650053	Screen
6	19331A009	Washer - Spring	1	000640111	Washer - Spring
7	19101A017	Screw - Cap	6	19101A017	Screw - Cap
8	083540003	Stator Ring	1	083543603	Stator Ring
9	029210011	Screw - Cap Flat HD Seal Plate	4	029210011	Screw - Cap Flat HD Seal Plate
10	001500191	O-Ring, Cord Cap	1	001500191	O-Ring, Cord Cap
11	001500201	O-Ring, Seal Plate	1	001500201	O-Ring, Seal Plate
12	001500381	O-Ring, Motor Housing	1	001500351	O-Ring, Motor Housing
13	19101A048	Screw - Cap	12	19105A044	Screw - Cap
14	08565A026	Ball Bearing Upper	1	000650351	Ball Bearing Upper
15	071670191	Ball Bearing Lower Double Row	1	071670201	Ball Bearing Lower Double Row
16	009240101	Plug - Pipe 1/2" Skt Hd. Brass	3	009240101	Plug-Pipe 1/2" Skt Hd. Brass
17	065790011	Stator Key	1	065790011	Stator Key
18	109010011	Probe - Seal Failure	2	109010011	Probe - Seal Failure
19	109000045	Seal - Sensor Hazardous Only, Resistor	1	109000045	Seal - Sensor Hazardous Only, Resistor
	109005115	Seal-Sensor Non-Hazardous Only	2	109005115	Seal-Sensor Non-Hazardous Only
20	009750141	Ring - Retaining External	1	009750271	Ring - Retaining External
21	009750101	Ring - Retaining External Seal	1	009750281	Ring - Retaining External Seal
22	009740151	Ring - Retaining Internal	1	009740141	Ring - Retaining Internal
23	037183001	Shaft Seal Sil Car/ Carbon - Nitrile Upper	1	27995A000	Shaft Seal Sil Car/Carbon - Nitrile Upper
24	27996A000	Shaft Seal Sil Car/ Carbon - Nitrile Lower	1	27997A000	Shaft Seal Sil Car/Carbon - Nitrile Lower
25	152880315	Cord Cap Assembly - 10-4 S00W	1	152880325	Cord Cap Assembly 8-4 S00W
	152880325	Cord Cap Assembly - 8-4 S00W	1	152880335	Cord Cap Assembly 6-4 S00W
	152880335	Cord Cap Assembly - 6-4 S00W	1	152880345	Cord Cap Assembly 4-4 S00W
	152880345	Cord Cap Assembly - 4-4 S00W	1	152885355	Cord Cap Assembly 2-4 S00W
	152885355	Cord Cap Assembly - 2-4 S00W	1	152885365	Cord Cap Assembly 0-4 S00W
	152885365	Cord Cap Assembly - 0-4 S00W	1	152885375	Cord Cap Assembly 4/0-3 S00W
26	073980312	Seal Plate	1	073980412	Seal Plate

# PARTS INDEX

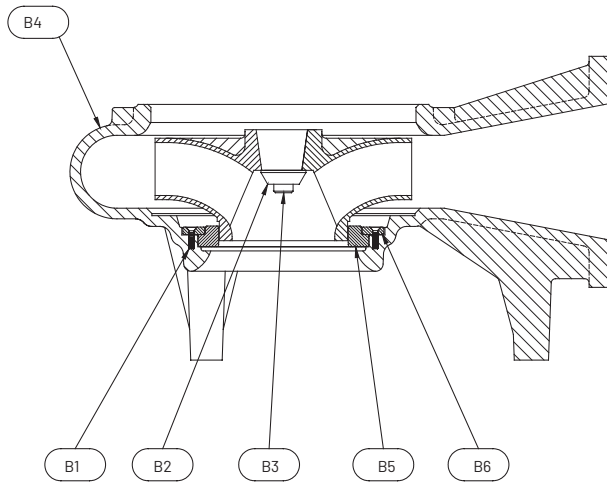
**4VL(X)P**



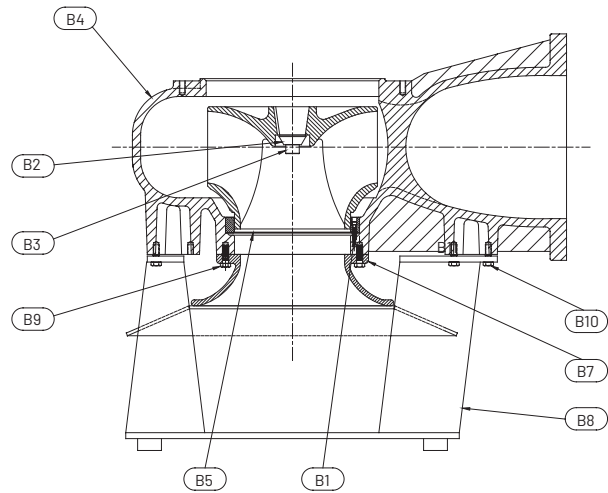
**8VL(X)P**



**8SM(X)P**



**12VL(X)P**



ITEM	DESCRIPTION	4VL(X)P	8VL(X)P	8SM(X)P	12VL(X)P
B1	SCREW - CAP SKT HD	008290091(4)	07597A021(4)	07597A021(4)	06106A045(4)
B2	WASHER - IMPELLER	019450013	019450013	019450013	019450013
B3	SCREW - CAP (HEX SOC.) 3/4	038790021	038790021	038790021	038790021
B4	VOLUTE	136880002	073942002	073940002	25457F200
B5	RING - WEAR	136950003	083450002	135350003	24548D000
B6	CLAMP - WEAR RING	-	-	135360003	-
B7	BELL - SUCTION	-	-	-	105871002
B8	STAND - PUMP	-	-	-	106270005
B9	SCREW - CAP HEX SST 3/4-10	-	-	-	19106A017(8)
B10	SCREW - CAP HEX SST 1/2-13	-	-	-	19103A043(8)

# PARTS INDEX

## 320 FRAME PUMP MOTORS PARTS GROUP

ITEM	4-POLE 1750 RPM	75 HP, 460/3/60	75 HP, 575/3/60
A1	STATOR	27969D003	27969D603
A2	ROTOR/SHAFT ASSEMBLY	27969D011	27969D011
A3	BOLT-STATOR	005560181(6)	005560181(6)

ITEM	6-POLE 1150 RPM	40-50 HP, 460/3/60	40-50 HP, 575/3/60
A1	STATOR	27972D003	27972D603
A2	ROTOR/SHAFT ASSEMBLY	27972D011	27972D011
A3	BOLT-STATOR	005560181(6)	005560181(6)

ITEM	8-POLE 870 RPM	20-25 HP 208-230-460/3/60	20-25 HP 575/3/60	30-40 HP 230-460/3/60	30-40 HP 575/3/60
A1	STATOR	27975D003	27975D603	27973D003	27973D603
A2	ROTOR/SHAFT ASSEMBLY	27975D011	27975D011	27973D011	27973D011
A3	BOLT-STATOR	06106A027(6)	06106A027(6)	06106A027(6)	06106A027(6)
A4	SPACER	086620131	086620131	086620111	086620111

## 360 FRAME PUMP MOTORS PARTS GROUP

ITEM	4-POLE 1750 RPM	100 HP 460/3/60	100 HP 575/3/60	125 HP 460/3/60	125 HP 575/3/60	150 HP 460/3/60	150 HP 575/3/60
A1	STATOR	27980D003	27980D603	27981D003	27981D603	27982D003	27982D603
A2	ROTOR/SHAFT ASSEMBLY	27981D011	27981D011	27981D011	27981D011	27982D011	27982D011
A3	BOLT-STATOR 1/2-13	06106A068(6)	06106A068(6)	06106A068(6)	06106A068(6)	06106A068(6)	06106A068(6)

ITEM	6-POLE 1150 RPM	60-75 HP, 460/3/60	60-75 HP, 575/3/60
A1	STATOR	27984D003	27984D603
A2	ROTOR/SHAFT ASSEMBLY	27984D011	27984D011
A3	BOLT-STATOR	06106A068(6)	06106A068(6)
A4	SPACER	086625011	086625011

# PARTS INDEX

## 320 FRAME PUMP IMPELLERS PARTS LIST

### 4VL(X)P - 320 FRAME

CAT. NO.	ENG. NO.	HP	VOLT/PH	CORD	TRIM	IMPELLER
<b>1750 RPM</b>						
4VLP750M4-43	28268E000	75	460/3	2-4	13	135321092
4VLP750M4-53	28268E001	75	575/3	4-4	13	135321092
4VLP750M4-43	28268E600	75	460/3	2-4	13	135321092
4VLP750M4-53	28268E601	75	575/3	4-4	13	135321092

### 8SM(X)P - 320 FRAME

CAT. NO.	ENG. NO.	HP	VOLT/PH	CORD	TRIM	IMPELLER
<b>1750 RPM</b>						
8SMP750M4-43	28270E000	75	460/3	2-4	13	135320052
8SMP750M4-53	28270E001	75	575/3	4-4	13	135320052
8SMP750M4-43	28270E600	75	460/3	2-4	13	135320052
8SMP750M4-53	28270E601	75	575/3	4-4	13	135320052

### 8VL(X)P - 320 FRAME

CAT. NO.	ENG. NO.	HP	VOLT/PH	CORD	TRIM	IMPELLER
<b>1750 RPM</b>						
8VLP750M4-43	28272E000	75	460/3	2-4	12.13 X 11.13	25252D559
8VLP750M4-53	28272E001	75	575/3	4-4	12.13 X 11.13	25252D559
8VLP750M4-43	28272E600	75	460/3	2-4	12.13 X 11.13	25252D559
8VLP750M4-53	28272E601	75	575/3	4-4	12.13 X 11.13	25252D559
<b>1150 RPM</b>						
8VLP400M6-43	28272E002	40	460/3	6-4	14.25 X 13.25	25252D553
8VLP400M6-53	28272E003	40	575/3	8-4	14.25 X 13.25	25252D553
8VLP400M6-43	28272E602	40	460/3	6-4	14.25 X 13.25	25252D553
8VLP400M6-53	28272E603	40	575/3	8-4	14.25 X 13.25	25252D553
8VLP500M6-43	28272E004	50	460/3	4-4	15 X 14	25252D551
8VLP500M6-53	28272E005	50	575/3	6-4	15 X 14	25252D551
8VLP500M6-43	28272E604	50	460/3	4-4	15 X 14	25252D551
8VLP500M6-53	28272E605	50	575/3	6-4	15 X 14	25252D551
<b>870 RPM</b>						
8VLP200M8-03	28272E006	20	208/3	4-4	14.88 X 13.88	25252D552
8VLP200M8-23/43	28272E007	20	230/460/3	6-4	14.88 X 13.88	25252D552
8VLP200M8-43	28272E008	20	460/3	8-4	14.88 X 13.88	25252D552
8VLP200M8-53	28272E009	20	575/3	8-4	14.88 X 13.88	25252D552
8VLP200M8-03	28272E606	20	208/3	4-4	14.88 X 13.88	25252D552
8VLP200M8-23/43	28272E607	20	230/460/3	6-4	14.88 X 13.88	25252D552
8VLP200M8-43	28272E608	20	460/3	8-4	14.88 X 13.88	25252D552
8VLP200M8-53	28272E609	20	575/3	8-4	14.88 X 13.88	25252D552
8VLP250M8-03	28272E010	25	208/3	4-4	15	25252D550
8VLP250M8-23/43	28272E011	25	230/460/3	4-4	15	25252D550
8VLP250M8-43	28272E012	25	460/3	8-4	15	25252D550
8VLP250M8-53	28272E013	25	575/3	8-4	15	25252D550
8VLP250M8-03	28272E610	25	208/3	4-4	15	25252D550
8VLP250M8-23/43	28272E611	25	230/460/3	4-4	15	25252D550
8VLP250M8-43	28272E612	25	460/3	8-4	15	25252D550
8VLP250M8-53	28272E613	25	575/3	8-4	15	25252D550

# PARTS INDEX

## 12VL(X)P

CAT. NO.	ENG. NO.	HP	VOLT/PH	CORD	TRIM	IMPELLER
<b>1150 RPM</b>						
12VLP400M6-43	28274E000	40	460/3	6-4	12.38	25456E559
12VLP400M6-53	28274E001	40	575/3	8-4	12.38	25456E559
12VLP400M6-43	28274E600	40	460/3	6-4	12.38	25456E559
12VLP400M6-53	28274E601	40	575/3	8-4	12.38	25456E559
12VLP500M6-43	28274E002	50	460/3	4-4	13	25456E556
12VLP500M6-53	28274E003	50	575/3	6-4	13	25456E556
12VLP500M6-43	28274E602	50	460/3	4-4	13	25456E556
12VLP500M6-53	28274E603	50	575/3	6-4	13	25456E556
<b>870 RPM</b>						
12VLP200M8-03	28274E004	20	208/3	4-4	13	25456E556
12VLP200M8-23/43	28274E005	20	230/460/3	6-4	13	25456E556
12VLP200M8-43	28274E006	20	460/3	8-4	13	25456E556
12VLP200M8-53	28274E007	20	575/3	8-4	13	25456E556
12VLP200M8-03	28274E604	20	208/3	4-4	13	25456E556
12VLP200M8-23/43	28274E605	20	230/460/3	6-4	13	25456E556
12VLP200M8-43	28274E606	20	460/3	8-4	13	25456E556
12VLP200M8-53	28274E607	20	575/3	8-4	13	25456E556
12VLP250M8-03	28274E008	25	208/3	4-4	13.5	25456E554
12VLP250M8-23/43	28274E009	25	230/460/3	4-4	13.5	25456E554
12VLP250M8-43	28274E010	25	460/3	8-4	13.5	25456E554
12VLP250M8-53	28274E011	25	575/3	8-4	13.5	25456E554
12VLP250M8-03	28274E608	25	208/3	4-4	13.5	25456E554
12VLP250M8-23/43	28274E609	25	230/460/3	4-4	13.5	25456E554
12VLP250M8-43	28274E610	25	460/3	8-4	13.5	25456E554
12VLP250M8-53	28274E611	25	575/3	8-4	13.5	25456E554
12VLP300M8-23/43	28274E012	30	230/460/3	2-4	14	25456E552
12VLP300M8-43	28274E013	30	460/3	6-4	14	25456E552
12VLP300M8-53	28274E014	30	575/3	8-4	14	25456E552
12VLP300M8-23/43	28274E612	30	230/460/3	2-4	14	25456E552
12VLP300M8-43	28274E613	30	460/3	6-4	14	25456E552
12VLP300M8-53	28274E614	30	575/3	8-4	14	25456E552

# PARTS INDEX

## 360 FRAME PUMP IMPELLERS PARTS LIST

### 4VL(X)P - 360 FRAME

CAT. NO.	ENG. NO.	HP	VOLT/PH	CORD	TRIM	IMPELLER
<b>1750 RPM</b>						
4VLP1000M4-43	28269F000	100	460/3	0-4	14	135321052
4VLP1000M4-53	28269F001	100	575/3	2-4	14	135321052
4VLP1000M4-43	28269F600	100	460/3	0-4	14	135321052
4VLP1000M4-53	28269F601	100	575/3	2-4	14	135321052
4VLP1250M4-43	28269F002	125	460/3	0-4	14.5	135321032
4VLP1250M4-53	28269F003	125	575/3	0-4	14.5	135321032
4VLP1250M4-43	28269F602	125	460/3	0-4	14.5	135321032
4VLP1250M4-53	28269F603	125	575/3	0-4	14.5	135321032

### 8SM(X)P - 360 FRAME

CAT. NO.	ENG. NO.	HP	VOLT/PH	CORD	TRIM	IMPELLER
<b>1750 RPM</b>						
8SMP1000M4-43	28271F000	100	460/3	0-4	14	135320012
8SMP1000M4-53	28271F001	100	575/3	2-4	14	135320012
8SMP1000M4-43	28271F600	100	460/3	0-4	14	135320012
8SMP1000M4-53	28271F601	100	575/3	2-4	14	135320012
8SMP1250M4-43	28271F002	125	460/3	0-4	14.75	135320132
8SMP1250M4-53	28271F003	125	575/3	0-4	14.75	135320132
8SMP1250M4-43	28271F602	125	460/3	0-4	14.75	135320132
8SMP1250M4-53	28271F603	125	575/3	0-4	14.75	135320132

## PARTS INDEX

### 8VL(X)P - 360 FRAME

CAT. NO.	ENG. NO.	HP	VOLT/PH	CORD	TRIM	IMPELLER
<b>1750 RPM</b>						
8VLP1000M4-43	28273F000	100	460/3	0-4	13 X 12	25252D558
8VLP1000M4-53	28273F001	100	575/3	2-4	13 X 12	25252D558
8VLP1000M4-43	28273F600	100	460/3	0-4	13 X 12	25252D558
8VLP1000M4-53	28273F601	100	575/3	2-4	13 X 12	25252D558
8VLP1250M4-43	28273F002	125	460/3	0-4	13.75 x 12.3/4	25252D556
8VLP1250M4-53	28273F004	125	575/3	0-4	13.75 x 12.3/4	25252D556
8VLP1250M4-43	28273F602	125	460/3	0-4	13.75 x 12.3/4	25252D556
8VLP1250M4-53	28273F603	125	575/3	0-4	13.75 x 12.3/4	25252D556
<b>1150 RPM</b>						
8VLP600M6-43	28273F005	60	460/3	4-4	15	25252D550
8VLP600M6-53	28273F006	60	575/3	6-4	15	25252D550
8VLP600M6-43	28273F604	60	460/3	4-4	15	25252D550
8VLP600M6-53	28273F605	60	575/3	6-4	15	25252D550

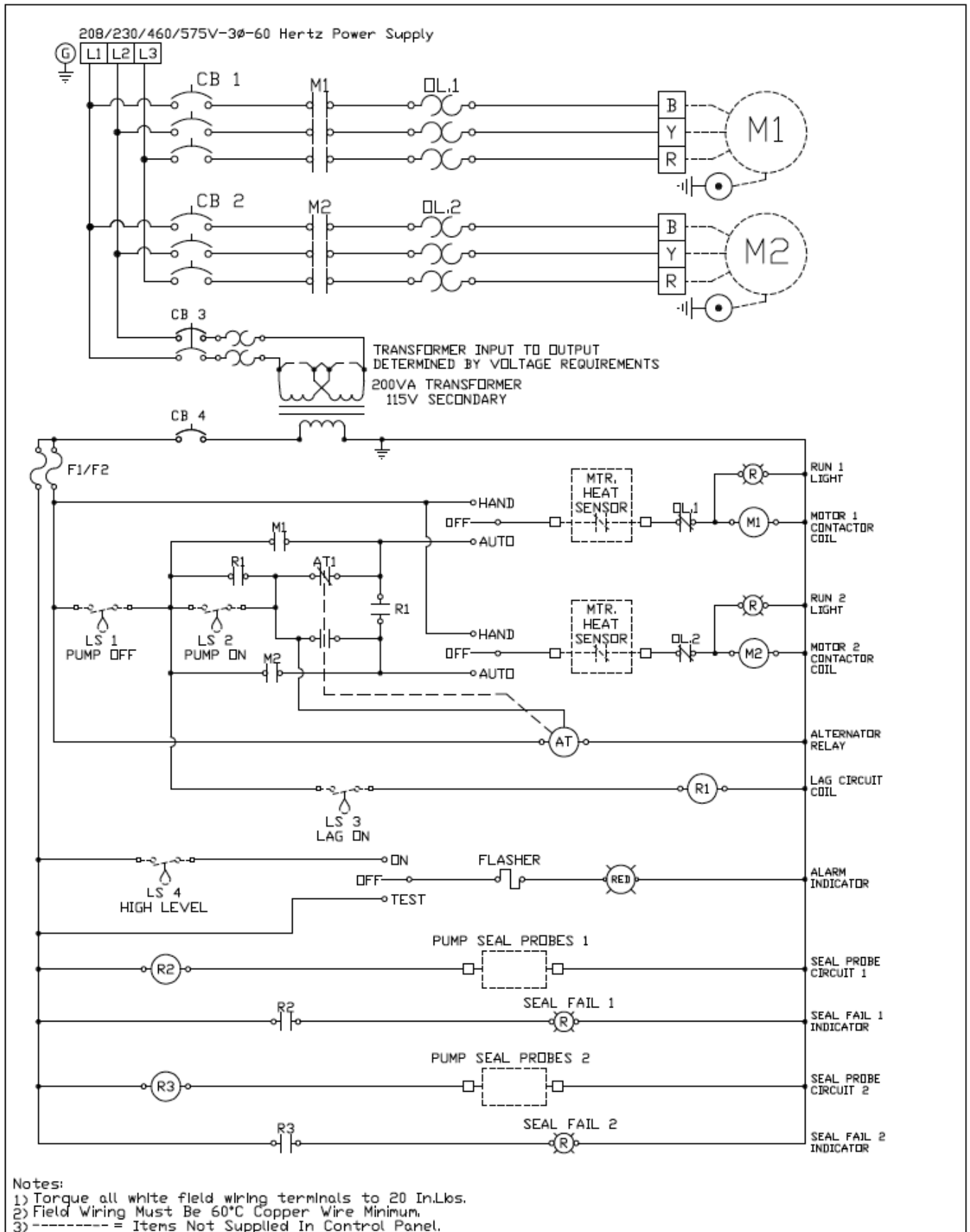
### 12VLP - 360 FRAME

CAT. NO.	ENG. NO.	HP	VOLT/PH	CORD	TRIM	IMPELLER
<b>1150 RPM</b>						
12VLP600M6-43	28275F000	60	460/3	4-4	13.63	25456E553
12VLP600M6-53	28275F001	60	575/3	6-4	13.63	25456E553
12VLP600M6-43	28275F600	60	460/3	4-4	13.63	25456E553
12VLP600M6-53	28275F601	60	575/3	6-4	13.63	25456E553
12VLP750M6-43	28275F002	75	460/3	2-4	14	25456E552
12VLP750M6-53	28275F003	75	575/3	4-4	14	25456E552
12VLP750M6-43	28275F602	75	460/3	2-4	14	25456E552
12VLP750M6-53	28275F603	75	575/3	4-4	14	25456E552





# WIRING DIAGRAM



### STANDARD LIMITED WARRANTY

Pentair Myers® warrants its products against defects in material and workmanship for a period of 12 months from the date of shipment from Pentair Myers or 18 months from the manufacturing date, whichever occurs first – provided that such products are used in compliance with the requirements of the Pentair Myers catalog and technical manuals for use in pumping raw sewage, municipal wastewater or similar, abrasive-free, noncorrosive liquids.

During the warranty period and subject to the conditions set forth, Pentair Myers, at its discretion, will repair or replace to the original user, the parts that prove defective in materials and workmanship. Pentair Myers reserves the right to change or improve its products or any portions thereof without being obligated to provide such a change or improvement for prior sold and/or shipped units.

Start-up reports and electrical schematics may be required to support warranty claims. Submit at the time of start-up through the Pentair Myers website: <http://forms.pentairliterature.com/startupform/startupform.asp?type=m>. Warranty is effective only if Pentair Myers authorized control panels are used. All seal fail and heat sensing devices must be hooked up, functional and monitored or this warranty will be void. Pentair Myers will cover only the lower seal and labor thereof for all dual seal pumps. Under no circumstance will Pentair Myers be responsible for the cost of field labor, travel expenses, rented equipment, removal/reinstallation costs or freight expenses to and from the factory or an authorized Pentair Myers service facility.

This limited warranty will not apply: (a) to defects or malfunctions resulting from failure to properly install, operate or maintain the unit in accordance with the printed instructions provided; (b) to failures resulting from abuse, accident or negligence; (c) to normal maintenance services and parts used in connection with such service; (d) to units that are not installed in accordance with applicable local codes, ordinances and good trade practices; (e) if the unit is moved from its original installation location; (f) if unit is used for purposes other than for what it is designed and manufactured; (g) to any unit that has been repaired or altered by anyone other than Pentair Myers or an authorized Pentair Myers service provider; (h) to any unit that has been repaired using non factory specified/OEM parts.

Warranty Exclusions: PENTAIR MYERS MAKES NO EXPRESS OR IMPLIED WARRANTIES THAT EXTEND BEYOND THE DESCRIPTION ON THE FACE HEREOF. PENTAIR MYERS SPECIFICALLY DISCLAIMS THE IMPLIED WARRANTIES OF MERCHANTABILITY AND FITNESS FOR ANY PARTICULAR PURPOSE.

Liability Limitation: IN NO EVENT SHALL PENTAIR MYERS BE LIABLE OR RESPONSIBLE FOR CONSEQUENTIAL, INCIDENTAL OR SPECIAL DAMAGES RESULTING FROM OR RELATED IN ANY MANNER TO ANY PENTAIR MYERS PRODUCT OR PARTS THEREOF. PERSONAL INJURY AND/OR PROPERTY DAMAGE MAY RESULT FROM IMPROPER INSTALLATION. PENTAIR MYERS DISCLAIMS ALL LIABILITY, INCLUDING LIABILITY UNDER THIS WARRANTY, FOR IMPROPER INSTALLATION. PENTAIR MYERS RECOMMENDS INSTALLATION BY PROFESSIONALS.

Some states do not permit some or all of the above warranty limitations or the exclusion or limitation of incidental or consequential damages and therefore such limitations may not apply to you. No warranties or representations at any time made by any representatives of Pentair Myers shall vary or expand the provision hereof.

**PAGE INTENTIONALLY LEFT BLANK**



1101 Myers Parkway      490 Pinebush Rd., Unit 4      [pentair.com](http://pentair.com)  
Ashland, OH 44805      Cambridge, Ontario  
Ph: 419.289.1144      Canada N1t 0a5  
Ph: 800.363.7867

All indicated Pentair trademarks and logos are property of Pentair. Third party registered and unregistered trademarks and logos are the property of their respective owners. Because we are continuously improving our products and services, Pentair reserves the right to change specifications without prior notice. Pentair is an equal opportunity employer.

Megger® is a registered trademark of Megger Instrument Limited.

©2023 Pentair. All Rights Reserved.

MY12736 / 23833A737 (02-01-23)