

WHOLE HOUSE TANNIN FILTRATION SYSTEMS



APPLICATION

- ◆ Whole House

FEATURES • BENEFITS

- ◆ Reduces tannins for clearer water and minimizes yellow staining on clothes and fixtures
- ◆ Automatically regenerates only when necessary, using less salt, saving time and money
- ◆ Self-cleaning design keeps the system running smoothly with little maintenance
- ◆ Simple, electronic system for easy programming; maintains settings during power outages

SPECIFICATIONS

PART NO.	35952	35953
Rated Service Flow (gpm)	11.9	13.2
Pressure Drop at Rated Service Flow Rate (psi)	15	15
Resin Amount	1.5	2.0
Resin Tank Size (dia x h)	10" x 54"	12" x 48"
Brine Tank Size (dia x h)	18" x 33"	18" x 33"
Backwash (gpm)	2.5	3.5

VALVE SPECIFICATIONS

Valve Body	Glass-Filled Thermoplastic
Rubber Components	Compounded For Cold Water
Operating Pressure	20 - 120 psi (1.38 - 8.27 bar)
Water Temperature	40° - 100°F (4.4° - 38°C)
Ambient Temperature	40° - 100°F (4.4° - 38°C)

POWER REQUIREMENTS

Input Supply Frequency	50 or 60 Hz
Motor Input Voltage	24 Volt - DC
Controller System Power Consumption	3 Watts Average
Transformer Input Options	115 Volt - AC 50/60 Hz
Transformer Output Voltage	24 Volt - AC 500 mA

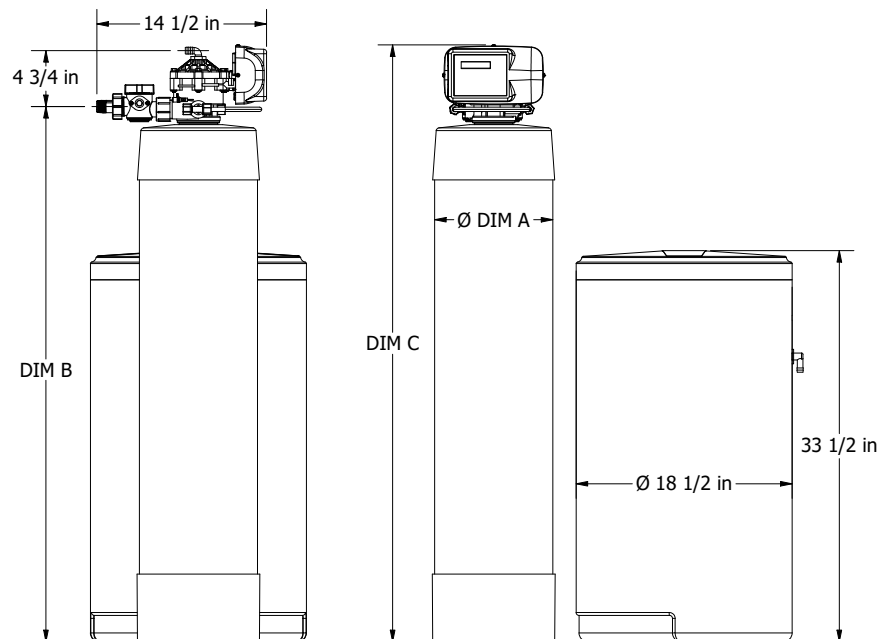
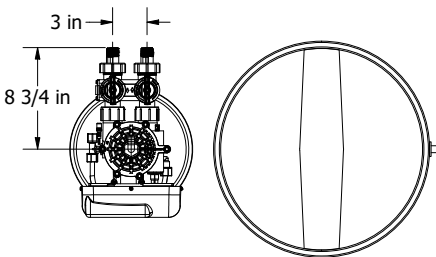
CYCLE INFORMATION

Downflow/Upflow	Downflow Only
Adjustable Cycles	Yes
5 Cycle Valve	1) Service/Home 2) Backwash 3) Brine Draw 4) Fast Rinse 5) Brine Fill

VALVE CONNECTIONS

Tank Thread	2-1/2" - 8, Male
Drain Line	3/4" NPT, Female
Brine Line	3/8" Tube Fitting
In/Out Bypass Valve	Included
Drain Line Elbow Fitting	1/2" Hose Barb Included
In/Out Plumbing Connection	3/4" NPT, Male Plastic Fittings

Tank Size	DIM A	DIM B	DIM C
10x44	10-1/4 in	46 in	51 in
10x54	10-1/4 in	55-7/8 in	61-1/4 in
12x48	12 in	50 in	55-1/4 in



13845 Bishops Dr. | Suite 200 | Brookfield, WI 53005 | United States
 Customer Service: 800.811.3489 | systems-tech-support@pentair.com | pentair.com

All indicated Pentair trademarks and logos are property of Pentair. Third party registered and unregistered trademarks and logos are the property of their respective owners.

© 2020 Pentair Residential Filtration, LLC. All rights reserved.

4005726 Rev A NV20